

Service Data

**Vickers®**

# Vane Pumps

---



## Single Pumps

V100 Series

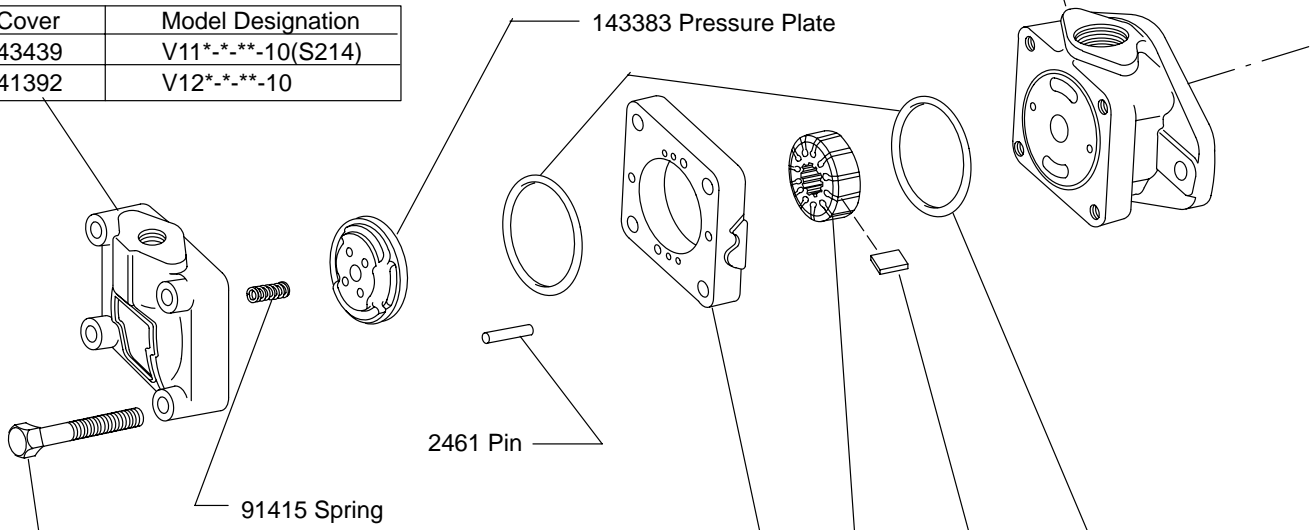


Revised 08/01/97

M-2031-S

Body	Model Designation
143440	V11*-**-10(S214)
142917	V12*-**-10

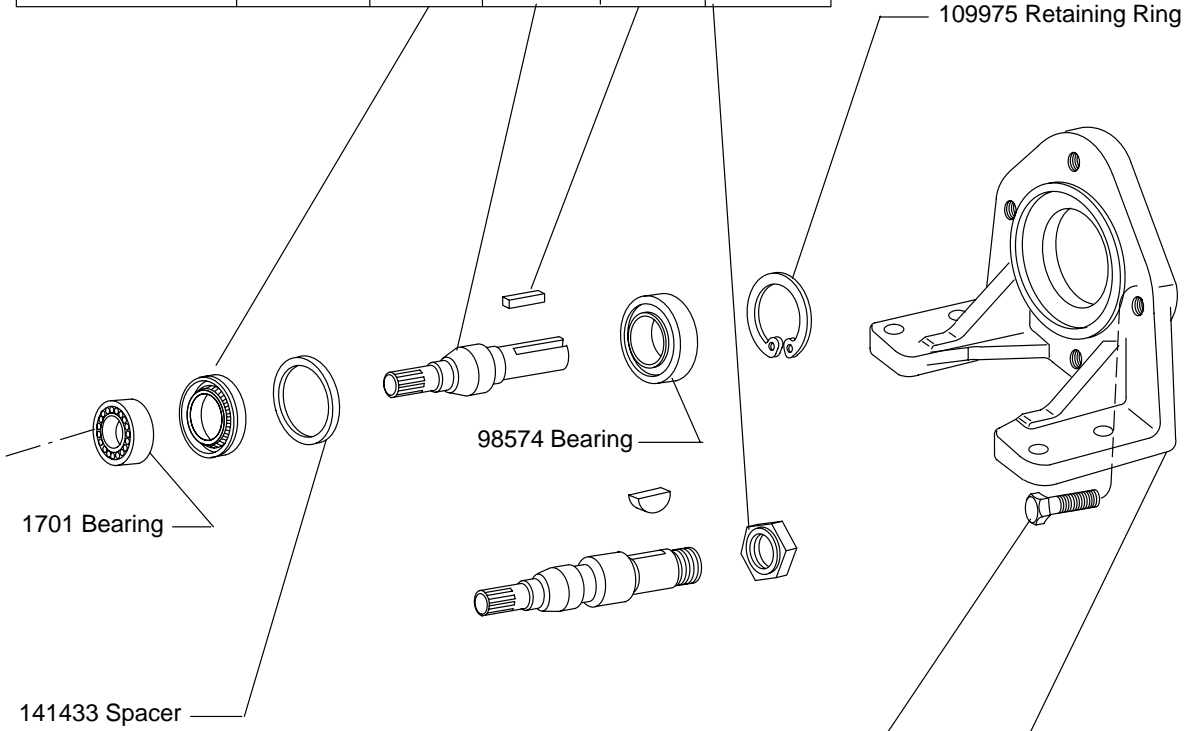
Cover	Model Designation
143439	V11*-**-10(S214)
141392	V12*-**-10



432508 Screw (4 req'd)  
Torque to 22-28 lb. ft.

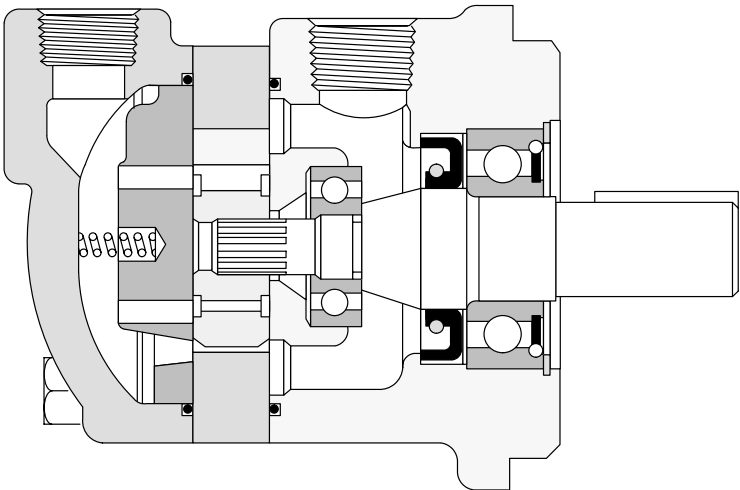
Model	Ring	Rotor	Vane Kit (12 Vanes)	"O" Ring (2 req'd)	Cartridge Kit
	Included in Cartridge Kit				
V1**-15**-10(S214)	143557	141303	912008	143216	912054
V1**-25**-10(S214)	143559				912056
V1**-35**-10(S214)	143121				912058
V1**-40**-10	141395				912059

Model	Seal Kit	Seal	Shaft	Key	Nut
	Included in Seal Kit				
V1**-*-1*-10(S214)	922793	229236	142916	142843	—
V1**-*-2*-10			146326	1602	
V1**-*-3*-10	—	229236	154806	1615	132260
V1**-*-21*-10	922793	229236	141398	1602	—
V1**-*-34*-10			205750	1605	



Bolt (2 req'd)	Mounting Bracket	Model
177939	FB-A-10	V1*4-**-10(S214)

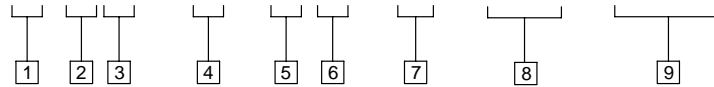
**Assembly View**



F3 Equivalent Seal Kit 919290

# Model Code

**V1 \* \* - \* - \* \* - 10 - (LH) - (S214)**



**1 Model Series**

V1 - Vane Type, 100 series

**2 Body Type**

- 1 - Std. thread
- 2 - Std. gasket

**3 Mounting**

- 0 - Body
- 4 - Foot

**4 Ring Capacity**

- 15 - 1.5 USgpm
- 20 - 2.0 USgpm
- 25 - 2.5 USgpm
- 35 - 3.5 USgpm
- 40 - 4.0 USgpm

**5 Shaft**

- 1 - Str. keyed
- 2 - Tapered
- 3 - Threaded
- 21 - Keyed
- 31 - Keyed

**6 Cover Position**

(Viewed facing cover end)

- A - 180° from inlet
- B - 90° counterclockwise from inlet
- C - Inline with inlet
- D - 90° clockwise from inlet

**7 Design**

**8 Left hand Rotation**

**9 Industrial Unit**

For satisfactory service life of these components in industrial applications, use full flow filtration to provide fluid which meets ISO cleanliness code 20/18/15 or cleaner. Selections from Eaton OFF, OFR, and OFRS series are recommended.