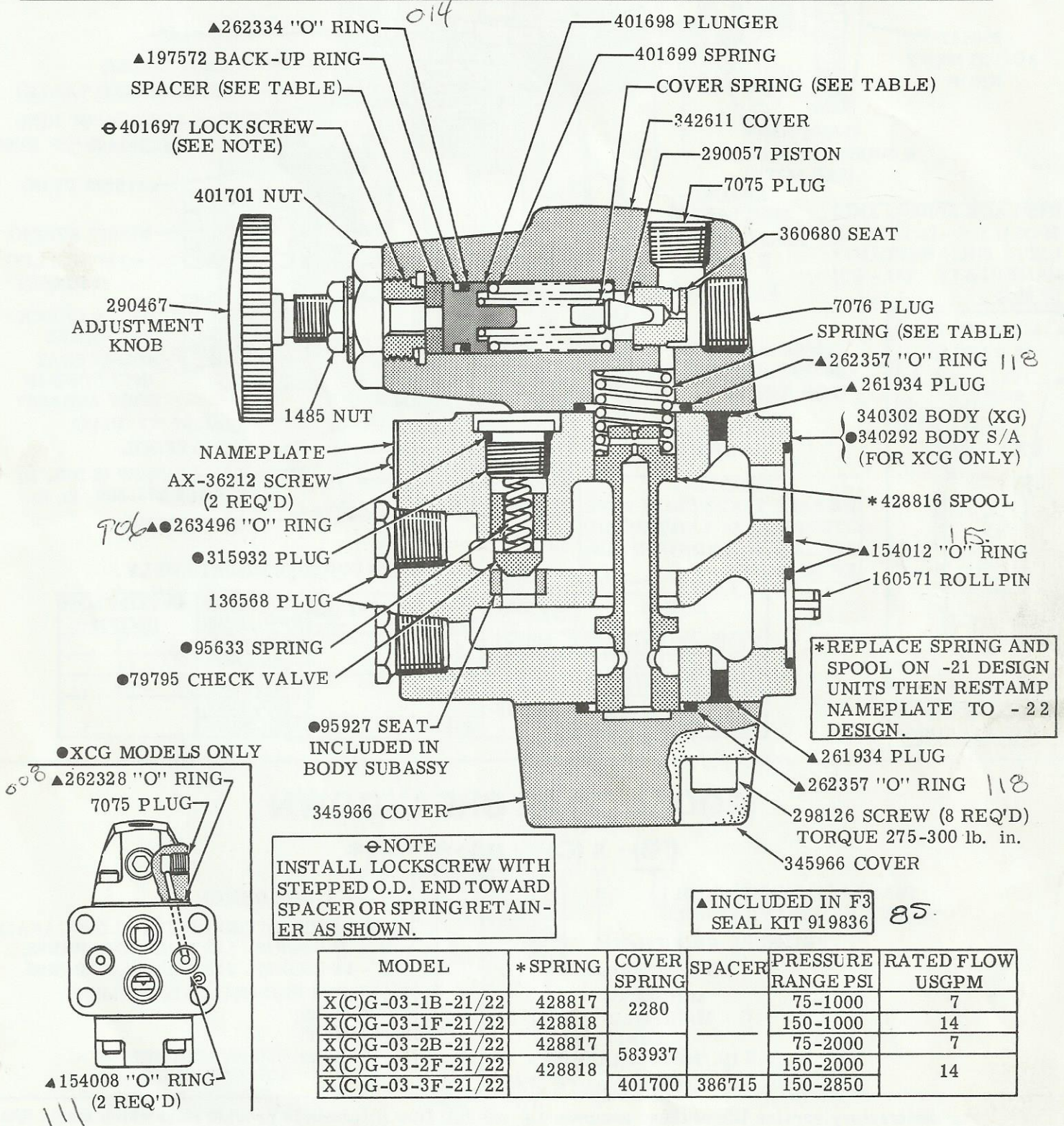
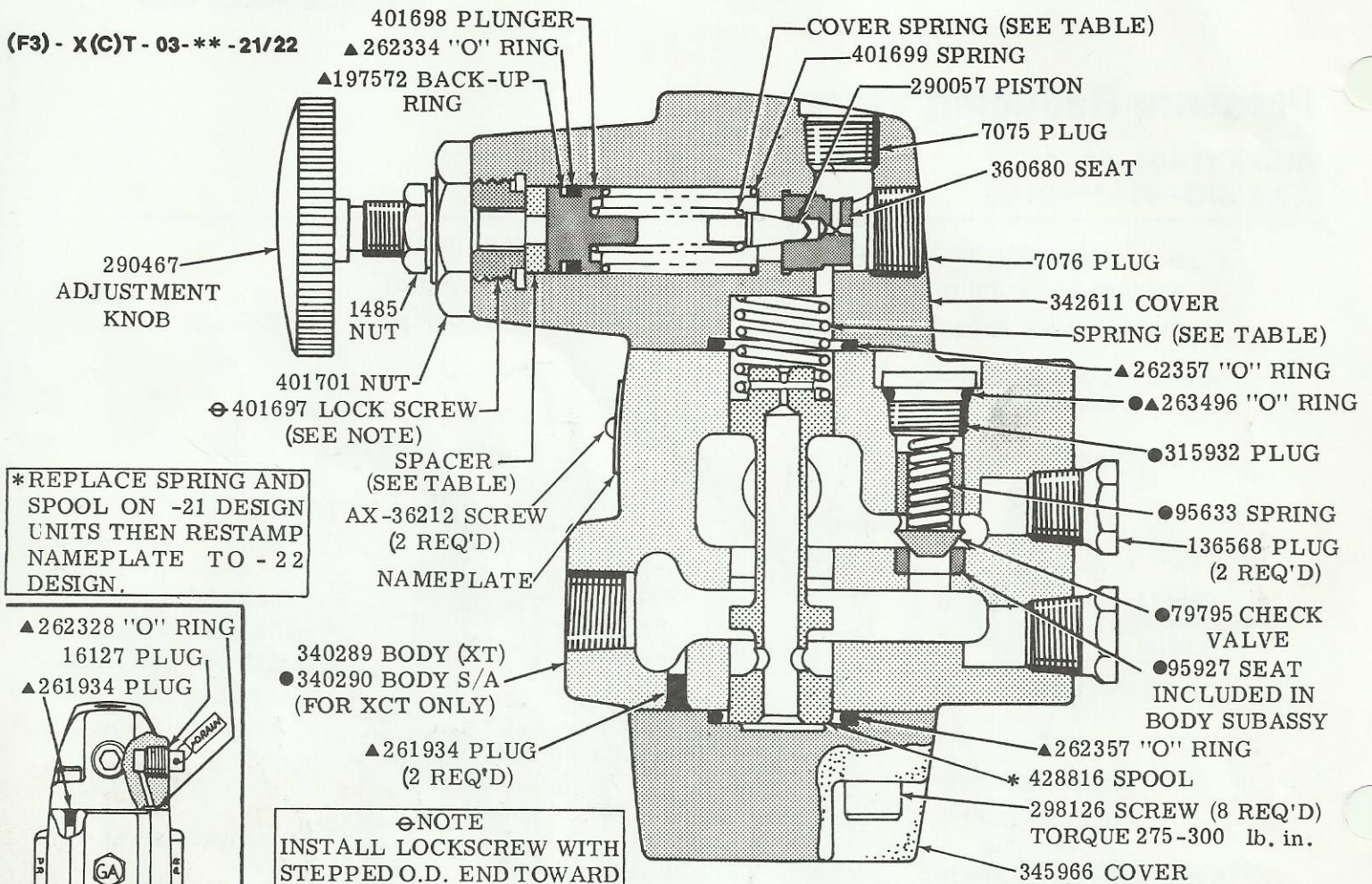


# Pressure Reducing Valves

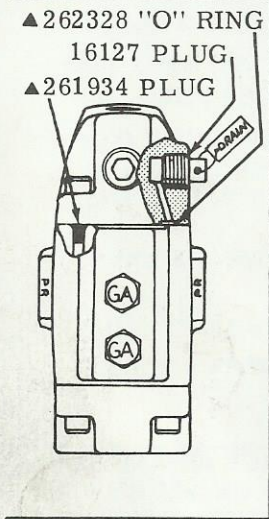
(F3)X(C)T-03-\*\*-21/22  
 (F3)X(C)G-03-\*\*-21/22



(F3) - X(C)T - 03 - \*\* - 21/22



\*REPLACE SPRING AND SPOOL ON -21 DESIGN UNITS THEN RESTAMP NAMEPLATE TO -22 DESIGN.



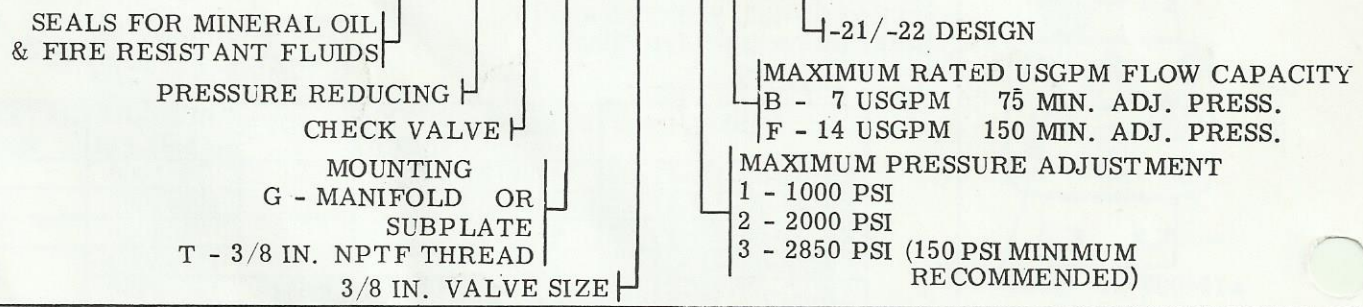
NOTE  
INSTALL LOCKSCREW WITH STEPPED O.D. END TOWARD SPACER OR SPRING RETAINER AS SHOWN.

● FOR XCT MODELS ONLY

MODEL	*SPRING	COVER SPRING	SPACER	PRESSURE RANGE PSI	RATED FLOW USGPM
X(C)T-03-1B-21/22	428817	2280		75-1000	7
X(C)T-03-1F-21/22	428818			150-1000	14
X(C)T-03-2B-21/22	428817	583937		75-2000	7
X(C)T-03-2F-21/22	428818			150-2000	14
X(C)T-03-3F-21/22				401700	

## MODEL CODE BREAKDOWN

(F3) - X (C)\* - 03 - \*\* - 2\*



For satisfactory service life of these components, use full flow filtration to provide fluid which meets ISO cleanliness code 18/15 or cleaner. Selections from Vickers OFP, OFR, and OFRS series are recommended.