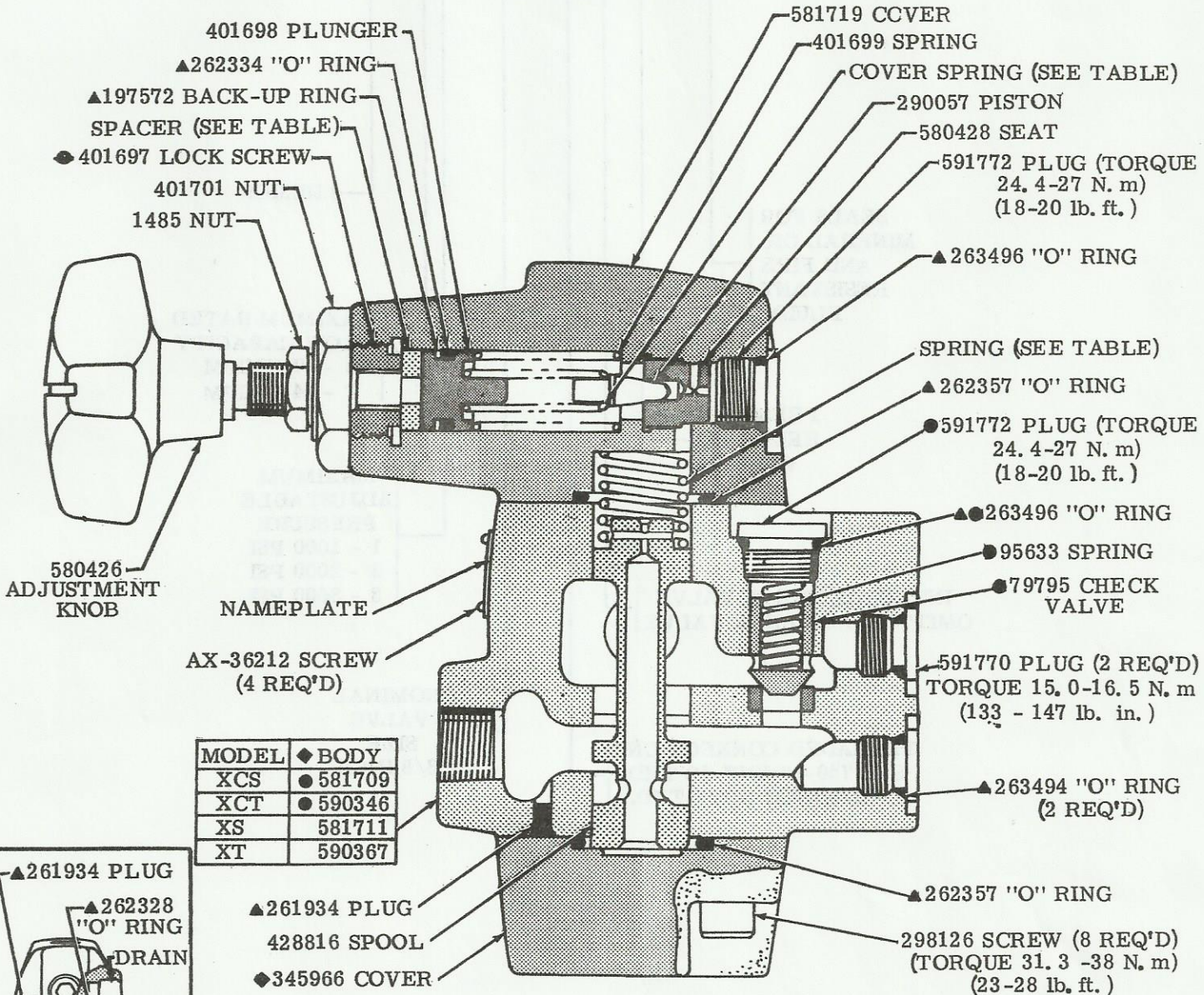


**PRESSURE REDUCING VALVES**

**Service Parts Information**

X(C)S-03-\*\*-30

X(C)T-03-\*\*-30



MODEL	◆ BODY
XCS	● 581709
XCT	● 590346
XS	581711
XT	590367

▲SERVICE ALL UNITS  
W/F3 SEAL KIT 919836

⊕INSTALL LOCKSCREW WITH STEPPED  
O. D. END TOWARD SPACER OR PLUNGER  
AS SHOWN.

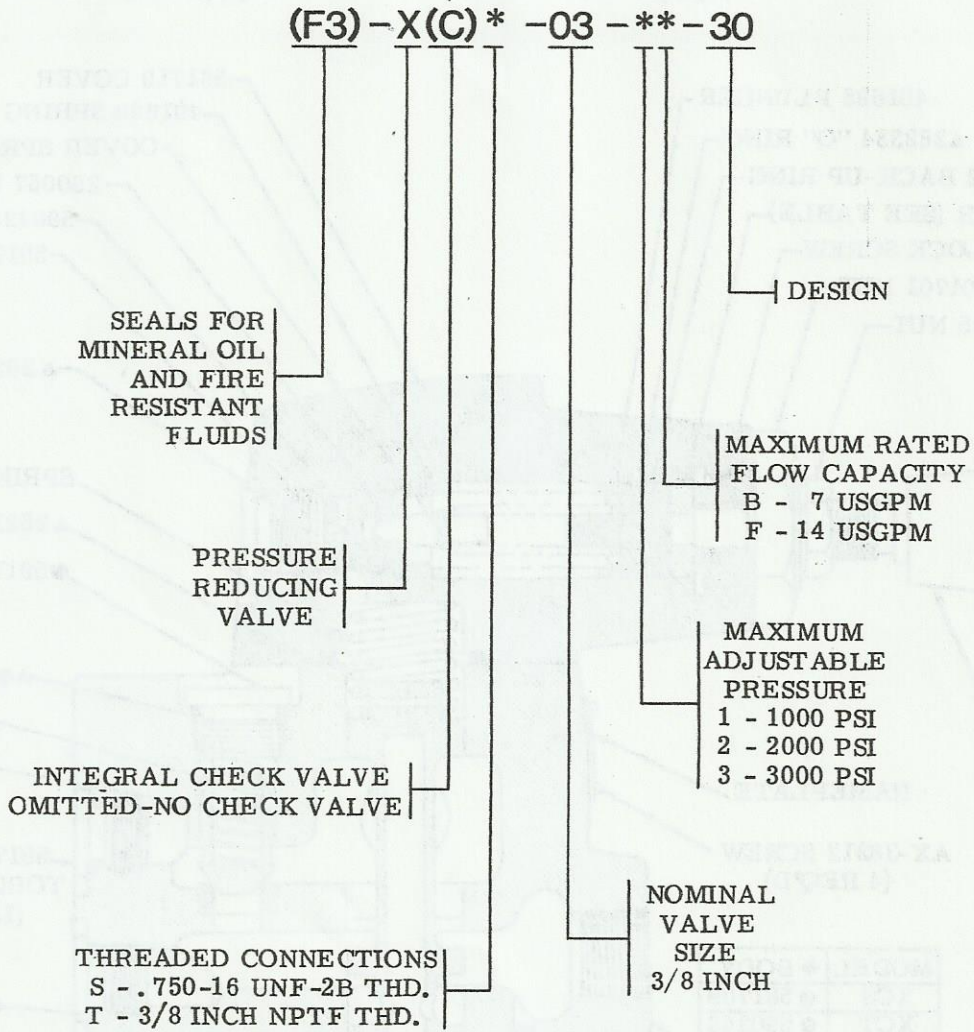
●FOR XCS & XCT  
MODELS ONLY

◆NOT  
AVAILABLE  
FOR SALE

MODEL	SPRING	COVER SPRING	SPACER	PRESSURE RANGE PSI	RATED FLOW USGPM
X(C)*-03-1B-30	428817	2280	—	75-1000	7
X(C)*-03-1F-30	428818			150-1000	14
X(C)*-03-2B-30	428817	583937	—	75-2000	7
X(C)*-03-2F-30	428818			150-2000	14
X(C)*-03-3F-30		401700	386715	150-2850	



# MODEL CODE BREAKDOWN



To insure sustained efficiency and maximum trouble free life of this precision equipment, initial and continuous full flow filtration of the fluid medium is essential. Select and apply filters from the Vickers OFP, OFR, and OFRS series, which are available in 3, 10, and 25 micrometre filtration ratings.