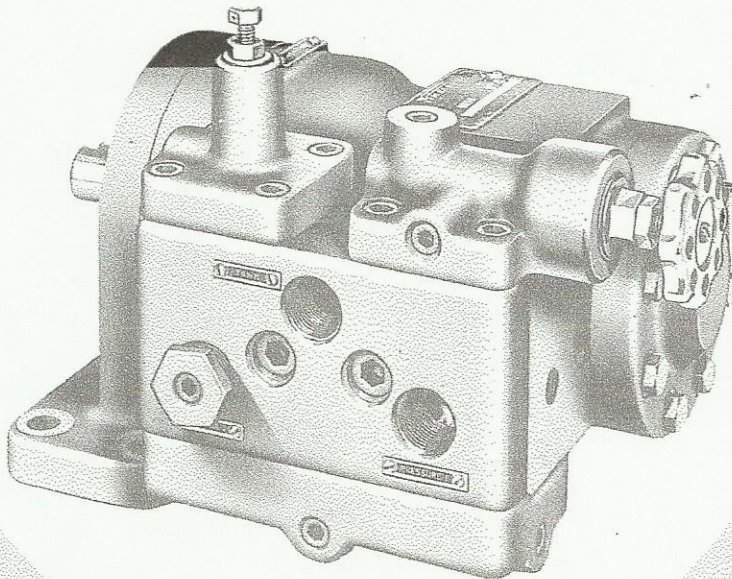


VICKERS

**MEDIUM SERIES
COMBINATION PUMPS**



**SERVICE
PARTS
INFORMATION**



**Model Series:
VC, VCK, VCS, VCKS.
-108-*-6, -109-*-6, -110-*-6
VICKERS INCORPORATED**

DIVISION OF SPERRY RAND CORPORATION

Machinery Hydraulics Division

Service Department

Rev. 11-2-64

Supersedes

I-1845-S

14420 Linwood Avenue

Detroit, Michigan 48238

ATLANTA • CHICAGO • DETROIT • EL SEGUNDO • HOUSTON • SEATTLE • SPRINGFIELD, N. J. • TORONTO

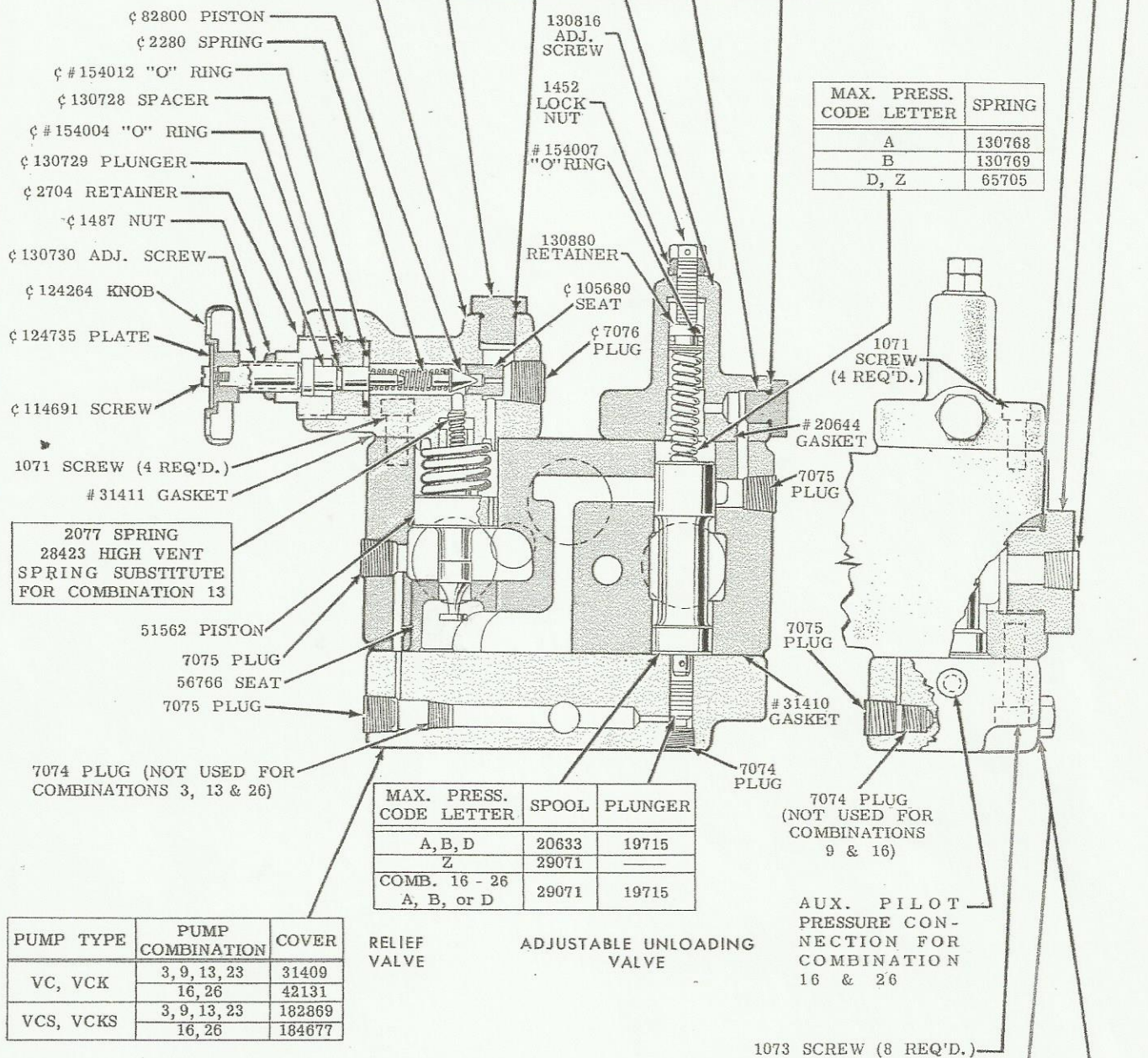
I-3152-S

**3, 9, 13, 16, 23 AND 26 COMBINATIONS
FOR -6 DESIGN MEDIUM SIZE VC SERIES**

USED ON COMBINATIONS 3 & 13 ONLY	PUMP TYPE	
	VC, VCK	VCS, VCKS
PLUG	7075	
REDUCING BUSHING	3428	183525
"O" RING	—	154132

PUMP TYPE	COVER	PLUG	"O" RING	COVER	PLUG	"O" RING
VC, VCK	¢131218	¢7075	—	130879	7075	—
VCS, VCKS	183658	181728	#154128	185386	181728	#154128

MAX. PRESS. CODE LETTER	SPRING
A	130768
B	130769
D, Z	65705



MAX. PRESS. CODE LETTER	SPOOL	PLUNGER
A, B, D	20633	19715
Z	29071	—
COMB. 16 - 26 A, B, or D	29071	19715

PUMP TYPE	PUMP COMBINATION	COVER
VC, VCK	3, 9, 13, 23	31409
	16, 26	42131
VCS, VCKS	3, 9, 13, 23	182869
	16, 26	184677

RELIEF VALVE

ADJUSTABLE UNLOADING VALVE

AUX. PILOT PRESSURE CONNECTION FOR COMBINATION 16 & 26

¢ INCLUDED IN COVER KIT 925329 FOR VC, VCK MODELS.

INCLUDED IN GASKET KIT 919003.

PUMP TYPE	COMBINATION	PLUG	"O" RING
VC, VCK	3, 9, 13, 16, 26	7075	—
	23	16127	—
VCS, VCKS	3, 9, 13, 16, 26	181728	#154128
	23	191362	#154128

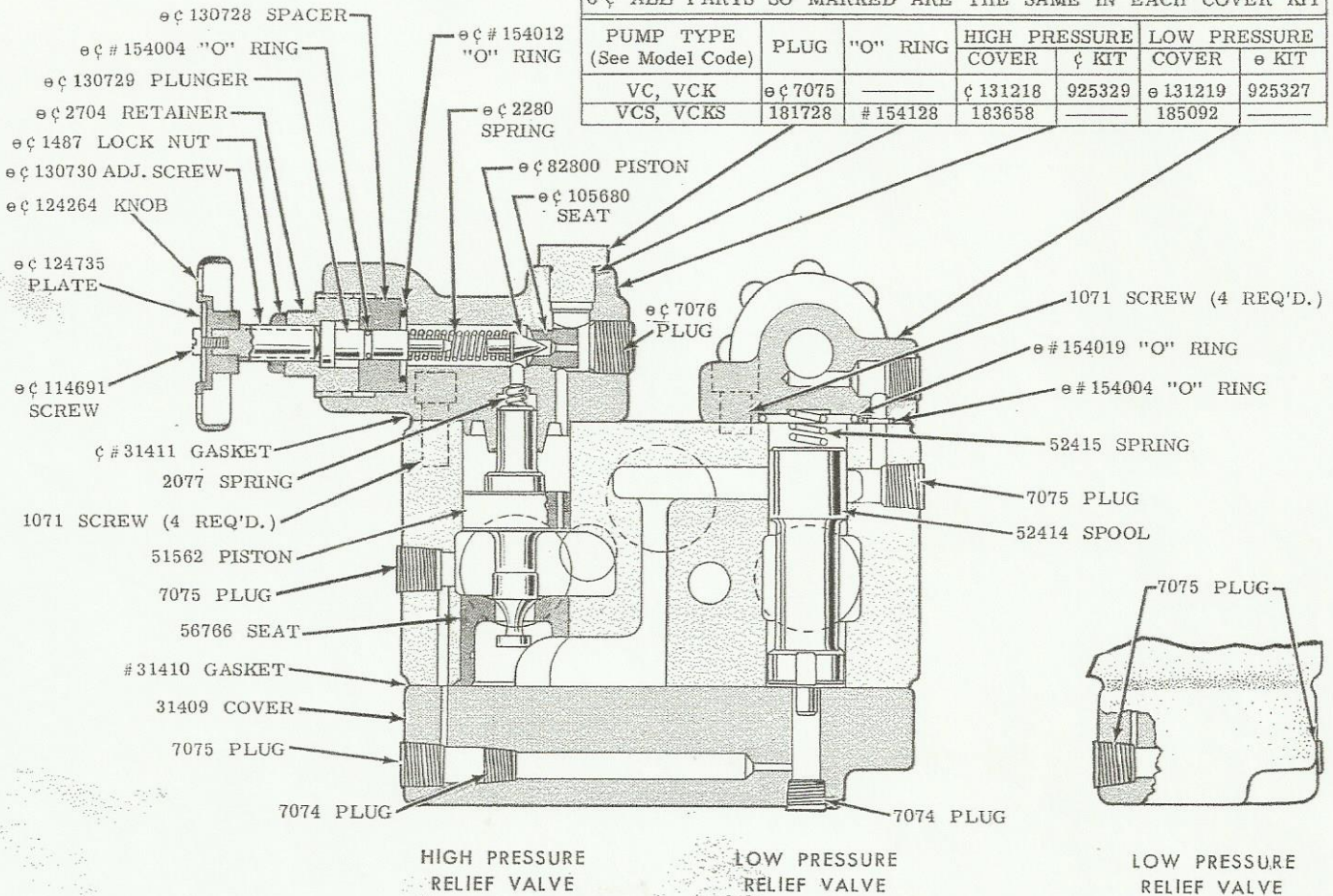
6 COMBINATION

FOR -6 DESIGN MEDIUM SIZE VC SERIES

INCLUDED IN 919003 GASKET KIT.

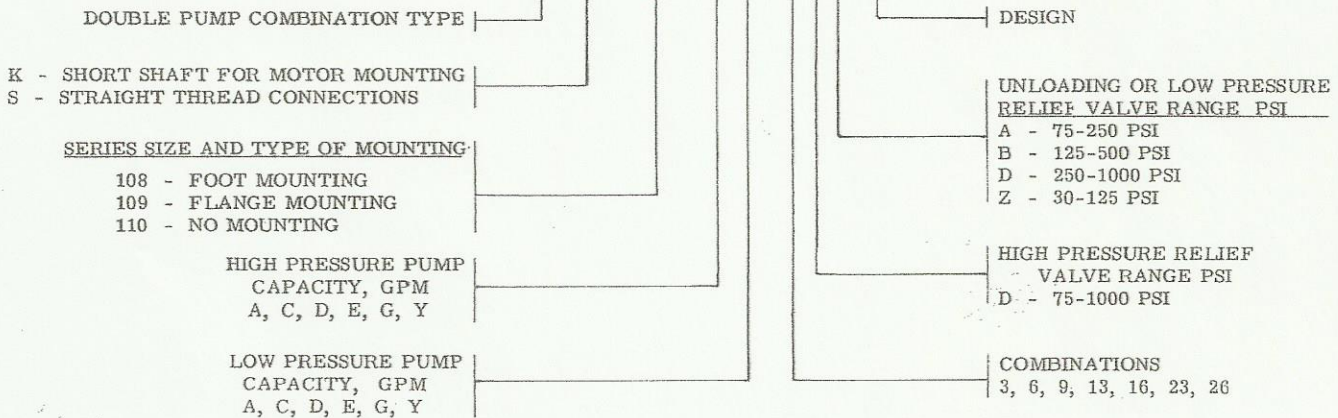
øϕ ALL PARTS SO MARKED ARE THE SAME IN EACH COVER KIT

PUMP TYPE (See Model Code)	PLUG	"O" RING	HIGH PRESSURE		LOW PRESSURE	
			COVER	ϕ KIT	COVER	ø KIT
VC, VCK	øϕ 7075	—	ϕ 131218	925329	ø 131219	925327
VCS, VCKS	181728	# 154128	183658	—	185092	—



MODEL CODE BREAKDOWN

VC(*)-1**-*-*-D*-6



To insure sustained efficiency and maximum trouble-free life of this precision equipment, initial and continuous filtration of the fluid medium to 25 microns or less is essential. (For information pertaining to Vickers economical 10 micron filters, see installation drawing I & M 229847.)