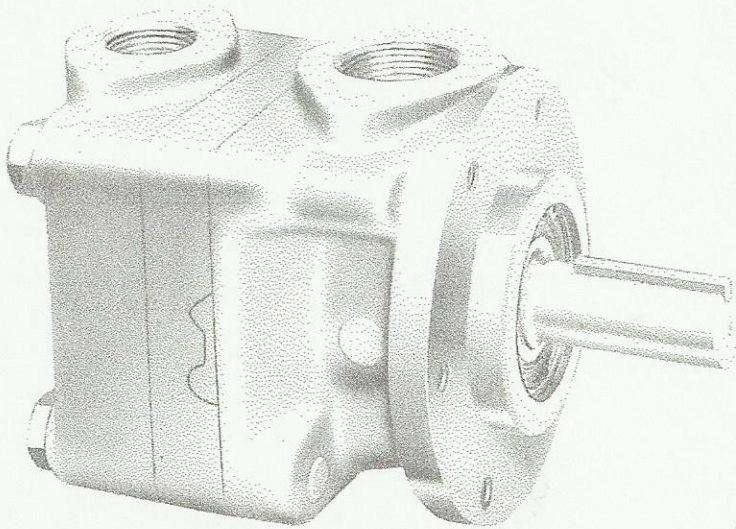


**VICKERS**

**VANE TYPE  
SINGLE PUMPS**



**SERVICE  
PARTS  
INFORMATION**



**Model Series: V500-S214**

**VICKERS INCORPORATED**

DIVISION OF SPERRY RAND CORPORATION

**Machinery Hydraulics Division**

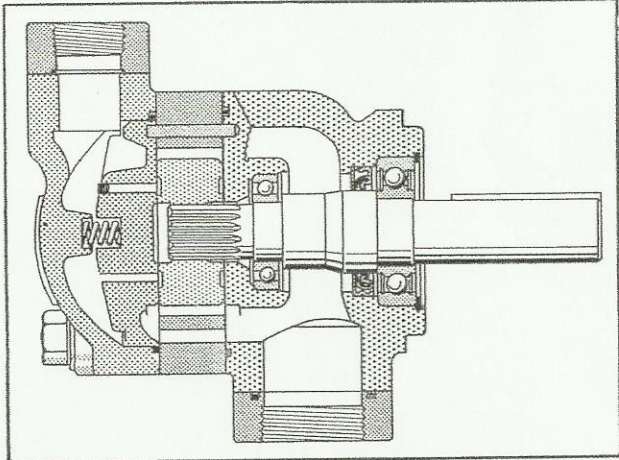
**Service Department**

14420 Linwood Avenue

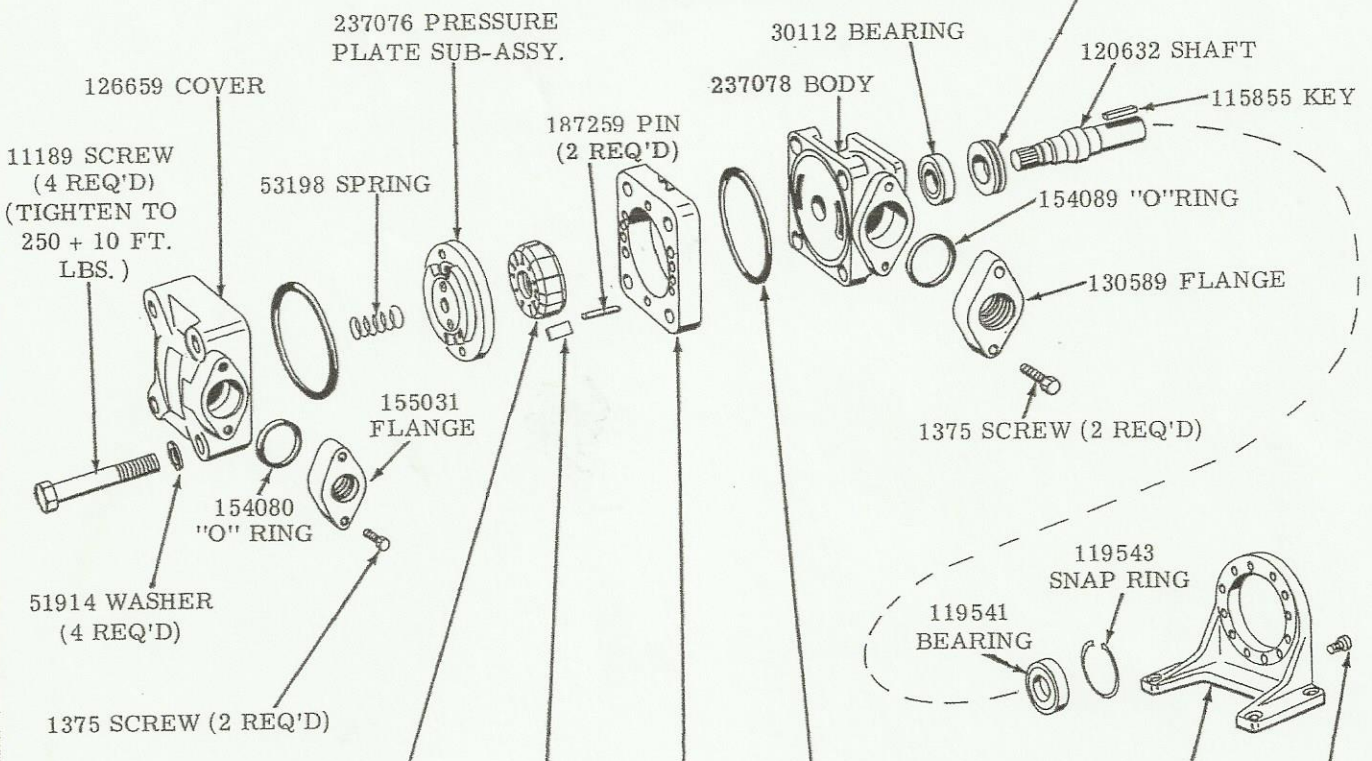
Detroit, Michigan 48238

ATLANTA • CHICAGO • DETROIT • EL SEGUNDO • HOUSTON • SEATTLE • SPRINGFIELD, N. J. • TORONTO

I-3110-S



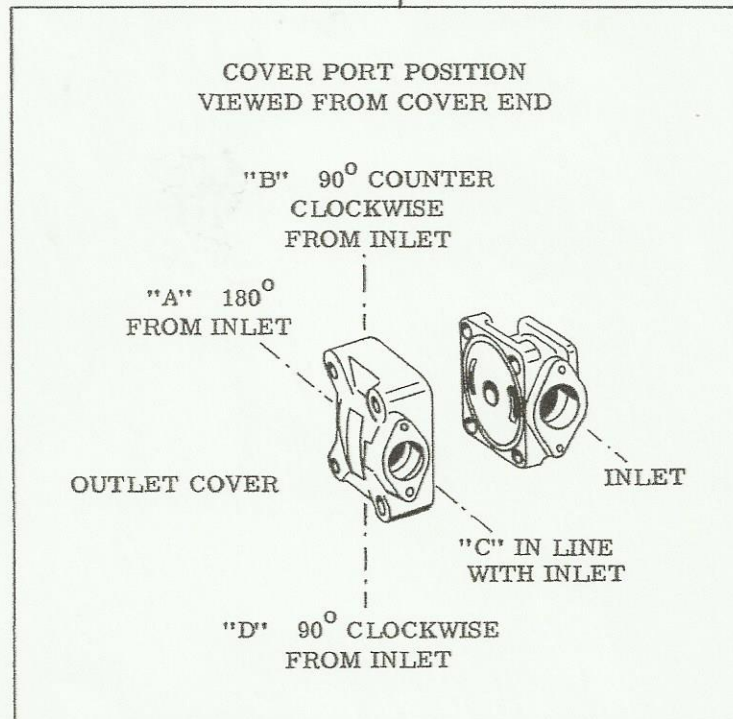
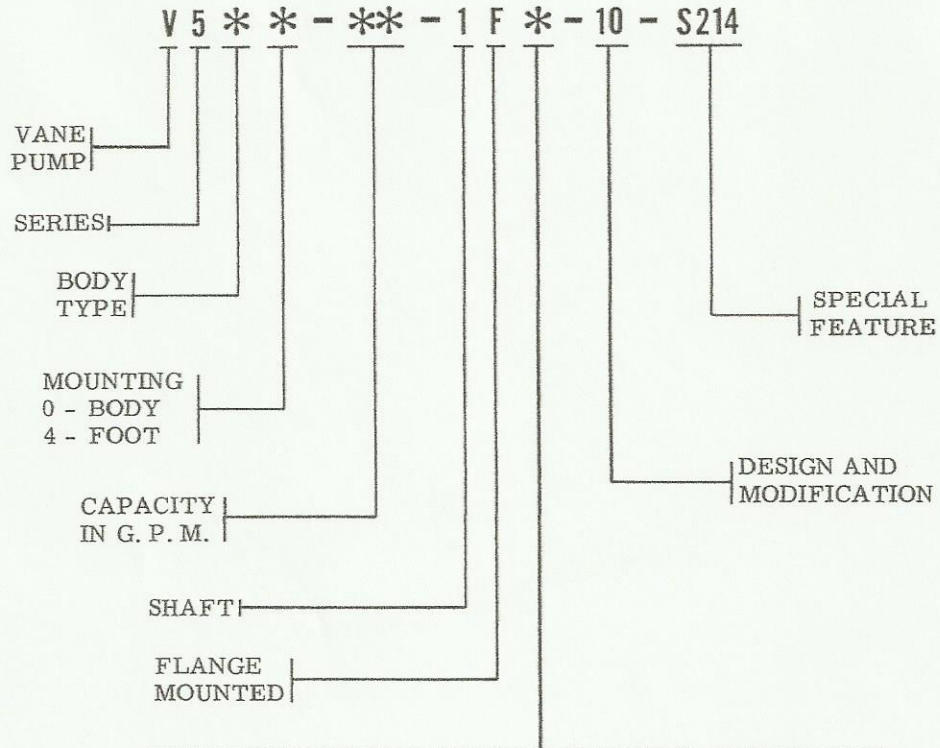
127286 SEAL  
 (ASSEMBLE WITH FLAT SIDE  
 FACING COVER END AS SHOWN.)



CAPACITY	ROTOR	VANE KIT (12 VANES)	RING	"O" RING (2 REQ'D)	CARTRIDGE KIT
V5*-50-*-1F-10-S214	237075	919170	214315	154112	919168
V5*-65-*-1F-10-S214			115766		919169

MOUNTING	BRACKET	SCREW (6 REQ'D)
V**0-*-**-1F-10-S214	—	—
V**4-*-**-1F-10-S214	125075	1152

# MODEL CODE BREAKDOWN



TO INSURE SUSTAINED EFFICIENCY AND MAXIMUM TROUBLE-FREE LIFE OF THIS PRECISION EQUIPMENT, AND CONTINUOUS FILTRATION OF THE FLUID MEDIUM TO 25 MICRONS OR LESS IS ESSENTIAL. (FOR INFORMATION PERTAINING TO VICKERS ECONOMICAL 10 MICRON FILTERS, SEE INSTALLATION DRAWING I & M 229847.)