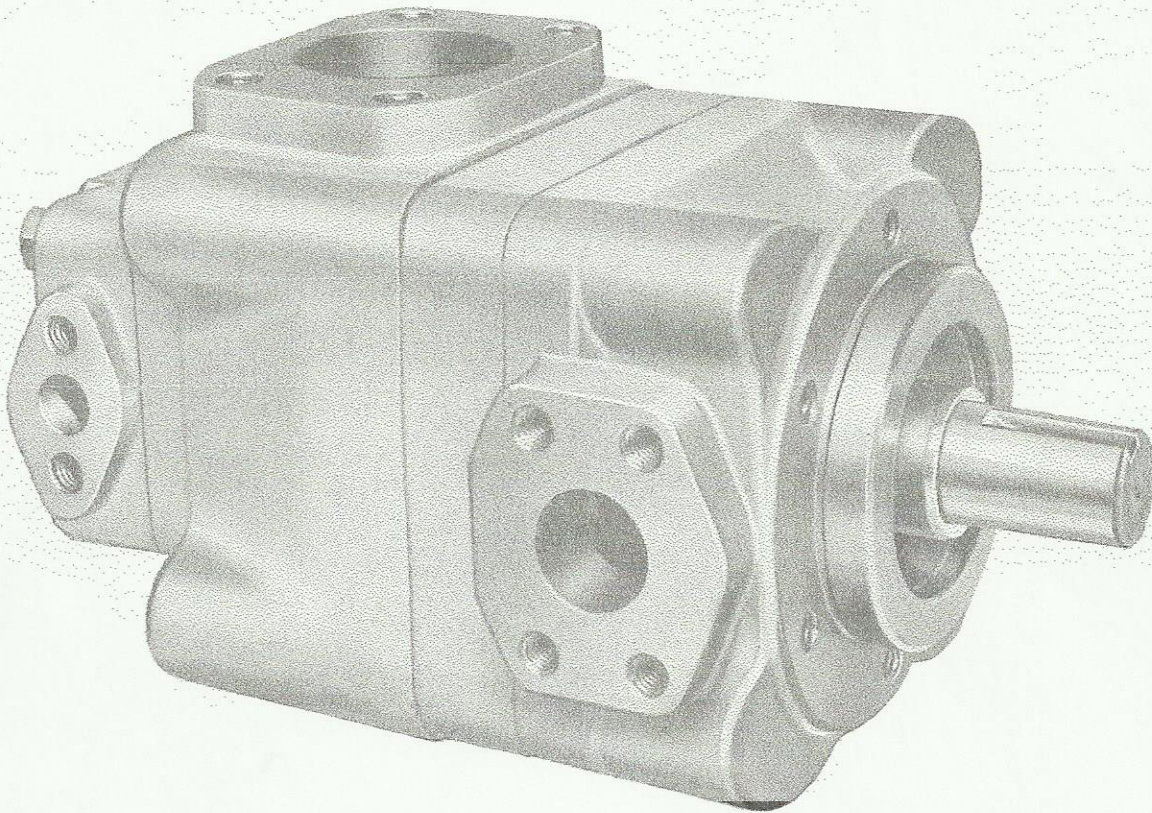


**VICKERS**

# Service Parts Information

Vane  
Type  
Double  
Pumps

V4200-S214



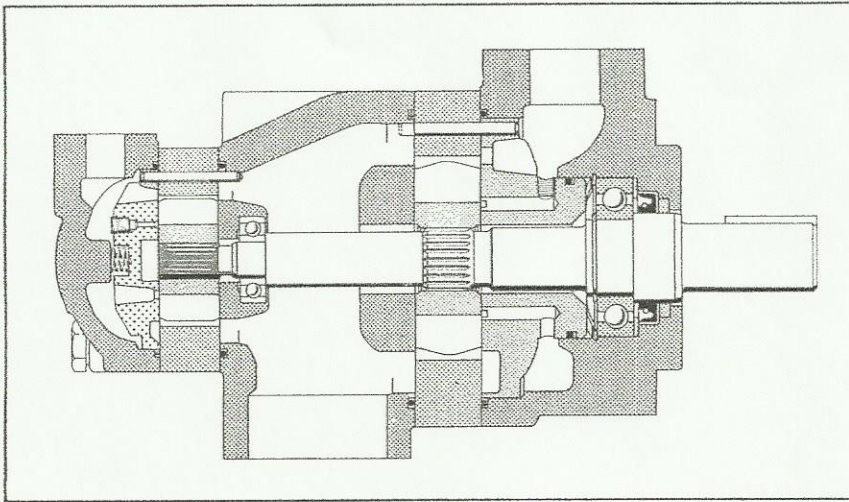
Vickers, Incorporated

1401 Crooks Road  
Troy, Michigan 48084

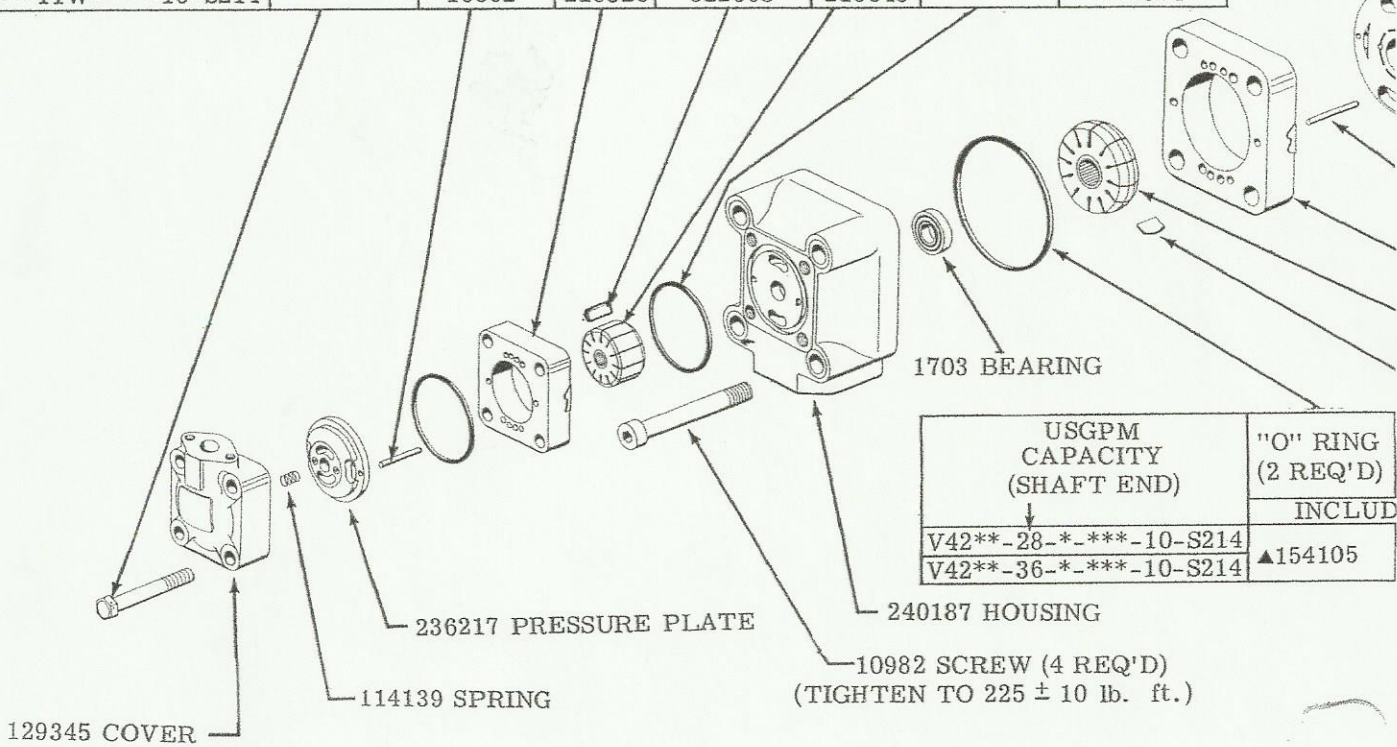
Revised 10-1-85

I-3129-S

*A Libbey-Owens-Ford Company*



USGPM CAPACITY (COVER END)	SCREW (4 REQ'D)	PIN (2 REQ'D)	RING	VANE KIT (12 VANES)	ROTOR	"O" RING (2 REQ'D)	CARTRIDGE KIT
V42**-*-2-***-10-S214	131485	2161	116141	912031	172302	▲154090	912063
V42**-*-5-***-10-S214			114173				912064
V42**-*-8W-***-10-S214	131486	2478	178183	912032	172294		922509
V42**-*-11W-***-10-S214			16662	218320	922568		215043



▲197411 WIPER  
(SATURATE WITH OIL  
BEFORE ASSEMBLING  
ON SHAFT)

▲394974 SEAL (ASSEMBLE WITH SPRING  
TOWARD INSIDE OF PUMP)

MODEL	SHAFT	KEY
V42**-*_*-1**-10-S214	240093	112935

102949 RETAINING RING

8618 BEARING

237838 SNAP RING

241023 WAVE WASHER

▲154085 "O" RING

241429 PRESSURE  
PLATE SUB-ASSY

231167 PIN (2 REQ'D)

240193 SPACER

240151 BODY

MODEL	GASKET	BRACKET	SCREW (6 REQ'D)
V42*4-*_*-***-10-S214	—	122896	1072
V42*5-*_*-***-10-S214	▲134305	128747	1274

▲INCLUDED IN  
920106 SEAL KIT

F3 EQUIVALENT  
SEAL KIT 919297

LINE KIT	ROTOR	RING	CARTRIDGE KIT
2030	233304	128553 126507	919149 919150

