

Service Data

Vickers®

Vane Pumps



Vane Type Single Pumps

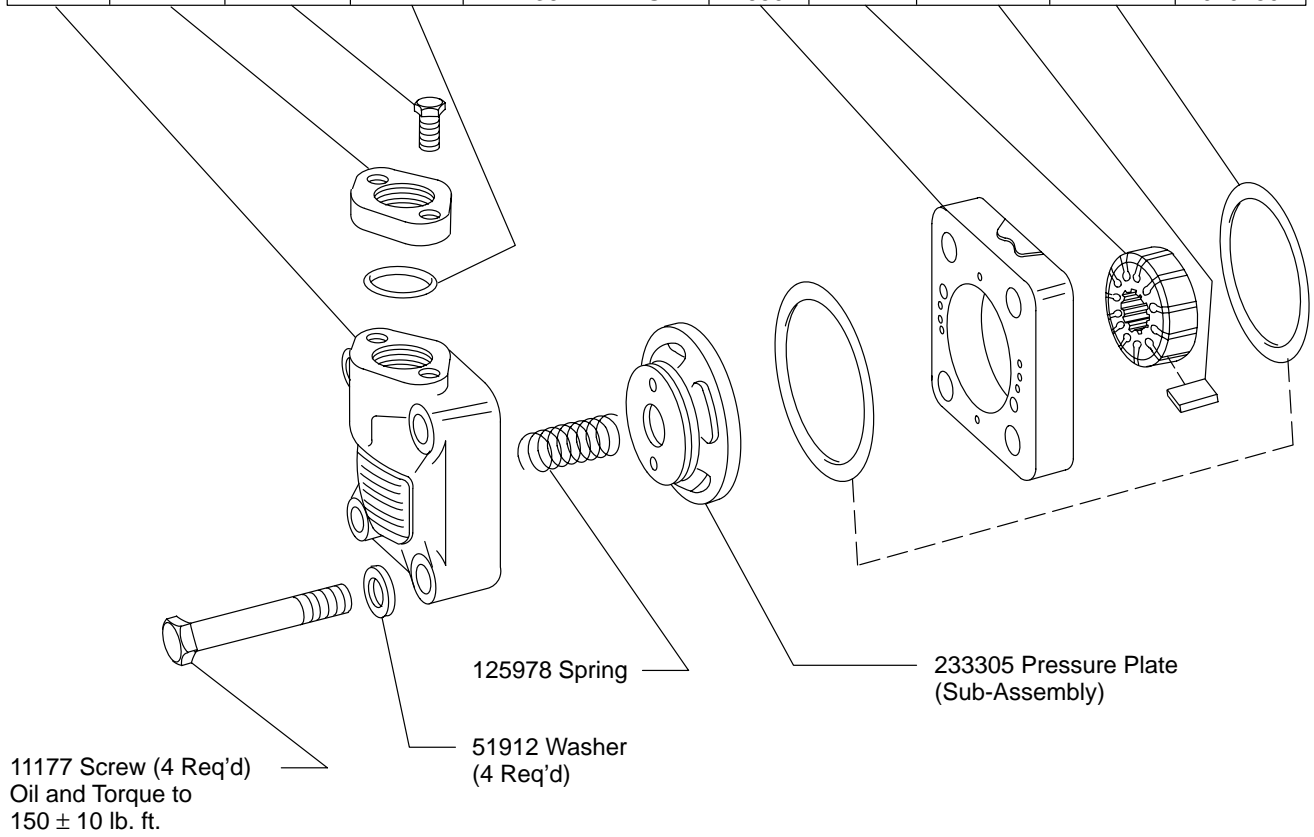
V400-S214



Revised 10/01/85

I-3107-S

Cover	Flange	Screw (2 Req'd)	"O" Ring	Capacity	Ring	Rotor	Vane Kit (12 Vanes)	"O" Ring (2 Req'd)	Cartridge Kit
					Included In Cartridge Kit				
133895	_____	_____	_____	V43*-28-1*-11-S214	128553	233304	912030	▲ 154105	919149
				V43*-36-1*-11-S214	126507				919150
134180	127841	1355	154077	V44*-28-1F*-11-S214	128553	233304	912030	▲ 154105	919149
				V44*-36-1F*-11-S214	126507				919150



▲ Included in 922771 seal kit

F3 equivalent seal kit 919293

▲238893 Shaft Seal
 (Assemble with spring
 toward inside of pump)
 (Pack with grease at
 assembly)

14654 Bearing

Key (See table)

Shaft
 (See table)

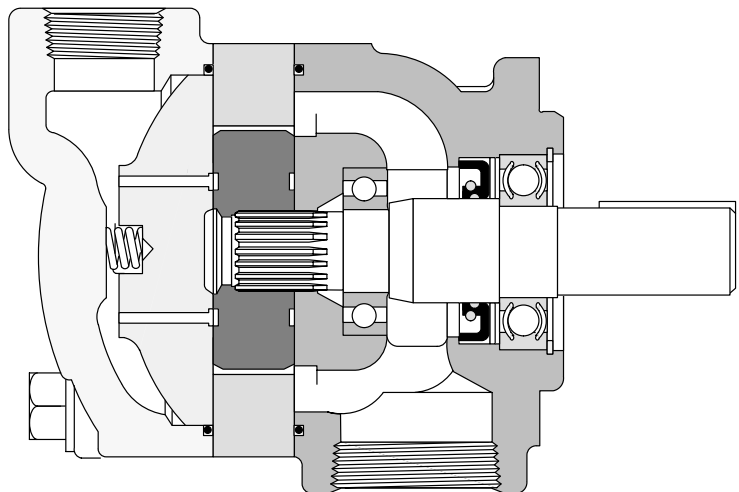
117522 Retaining Ring

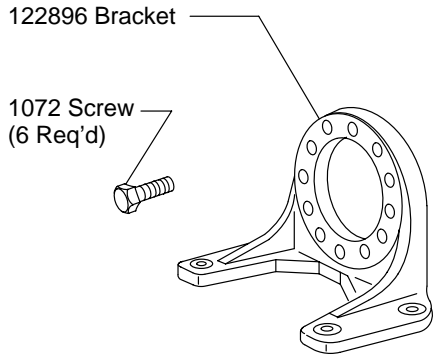
117785 Bearing

10637 Pin
 (2 Req'd)

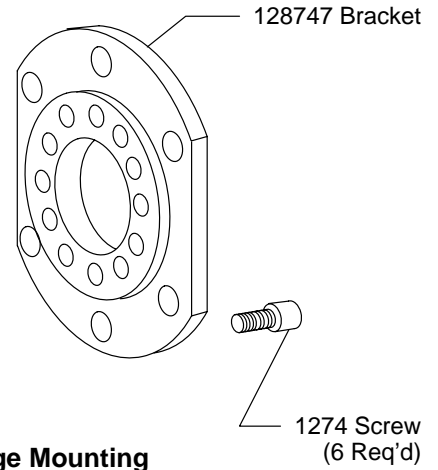
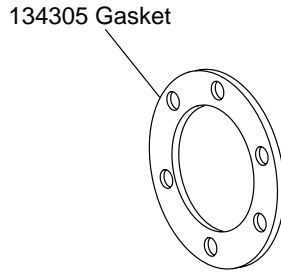
Model	Shaft	Key	Nut
V4**-*-1*-11-S214	126222	3418	—
V4**-*-3*-11-S214	117781	1615	132260
V4**-*-11*-11-S214	148266	—	—

Model	Body	"O" Ring	Flange	Screw (2 Req'd)
V43*-28-1*-11-S214	134023	—	—	—
V43*-36-1*-11-S214		—	—	—
V44*-28-1F*-11-S214	134024	154085	130630	1355
V44*-36-1F*-11-S214				



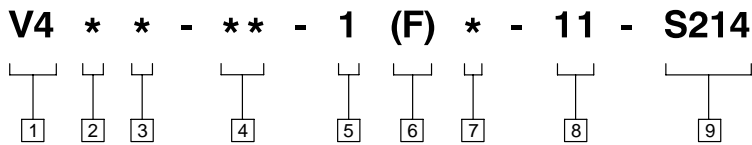


Foot Mounting
V4*4-1*-11-S214**



Flange Mounting
V*5-1F-11-S214**

Model Code



1 Model Series

V4 - Vane pump

2 Body Type

3 - Face mounting thread connection
 4 - Face mounting gasket connection

3 Mounting

0 - Body
 4 - Foot
 5 - Flange

4 Capacity in USgpm

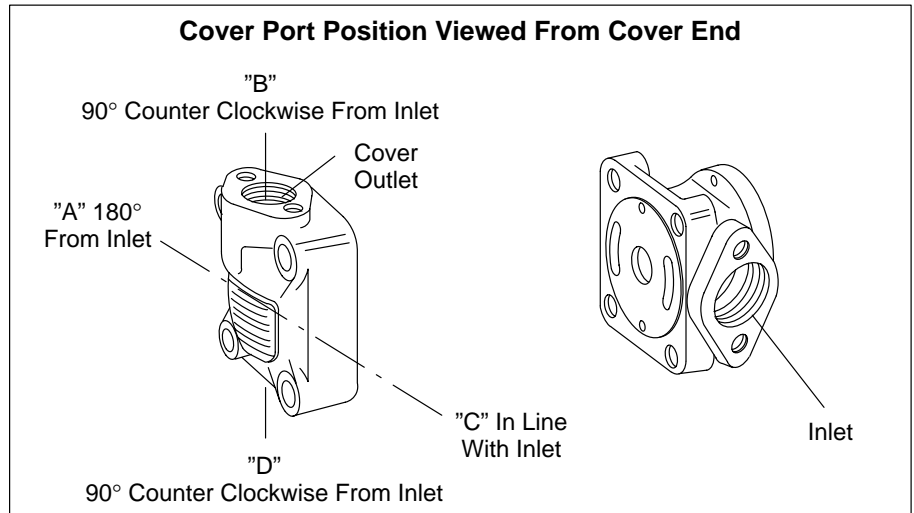
5 Shaft

6 Flange Connections

6 Cover Port Position (See below)
 (Viewed from Cover End)

7 Design & Modification

8 Special Feature



For satisfactory service life of these components, use full flow filtration to provide fluid which meets ISO cleanliness code 20/18/15 or cleaner. Selections from Eaton OFF, OFR, and OFRS series are recommended.

Eaton Hydraulics

15151 Highway 5
Eden Prairie, MN 55344
Telephone: 612 937-7254
Fax: 612 937-7130
www.eatonhydraulics.com

46 New Lane, Havant
Hampshire PO9 2NB
England
Telephone: (44) 170-548-6451
Fax: (44) 170-548-7110

