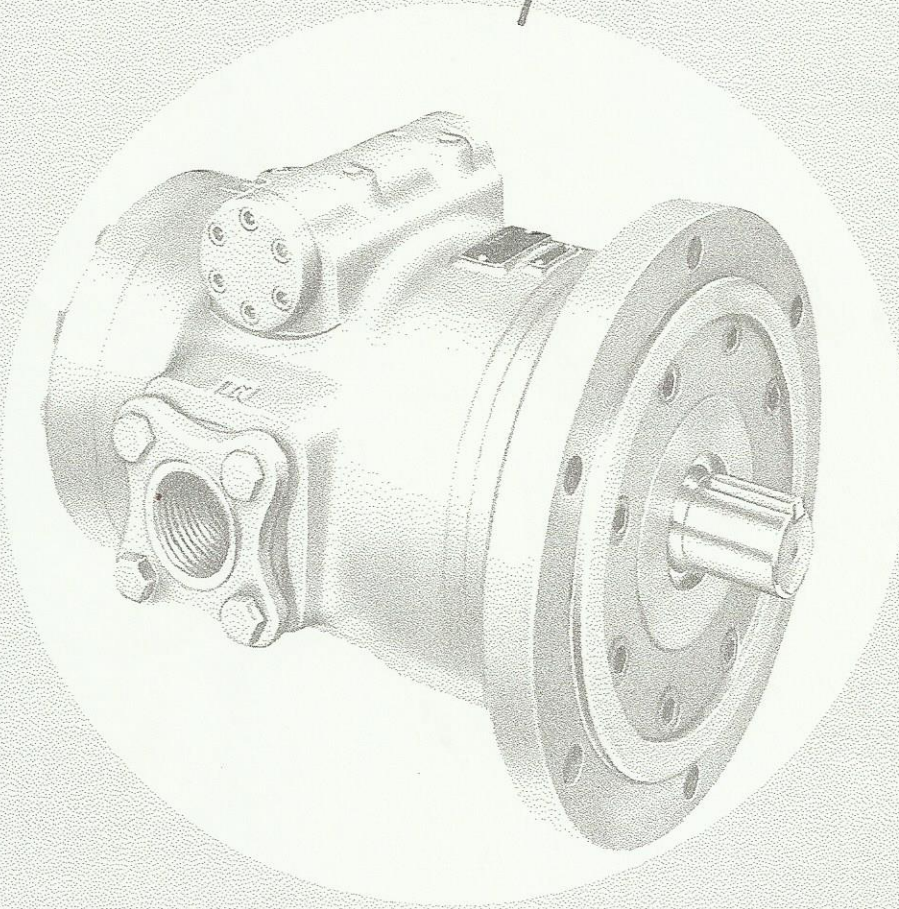


VICKERS

2-STAGE VANE PUMPS



**SERVICE  
PARTS  
INFORMATION**



**Large Series**  
**Models: V/VK-234\*-236\*-246\***  
**-2, 3, 4 and 5 Design**  
**VICKERS INCORPORATED**

DIVISION OF SPERRY RAND CORPORATION

**Machinery Hydraulics Division**  
**Service Department**

Supersedes

I-1873-S

14420 Linwood Avenue

Detroit, Michigan 48238

Rel. 7-31-64

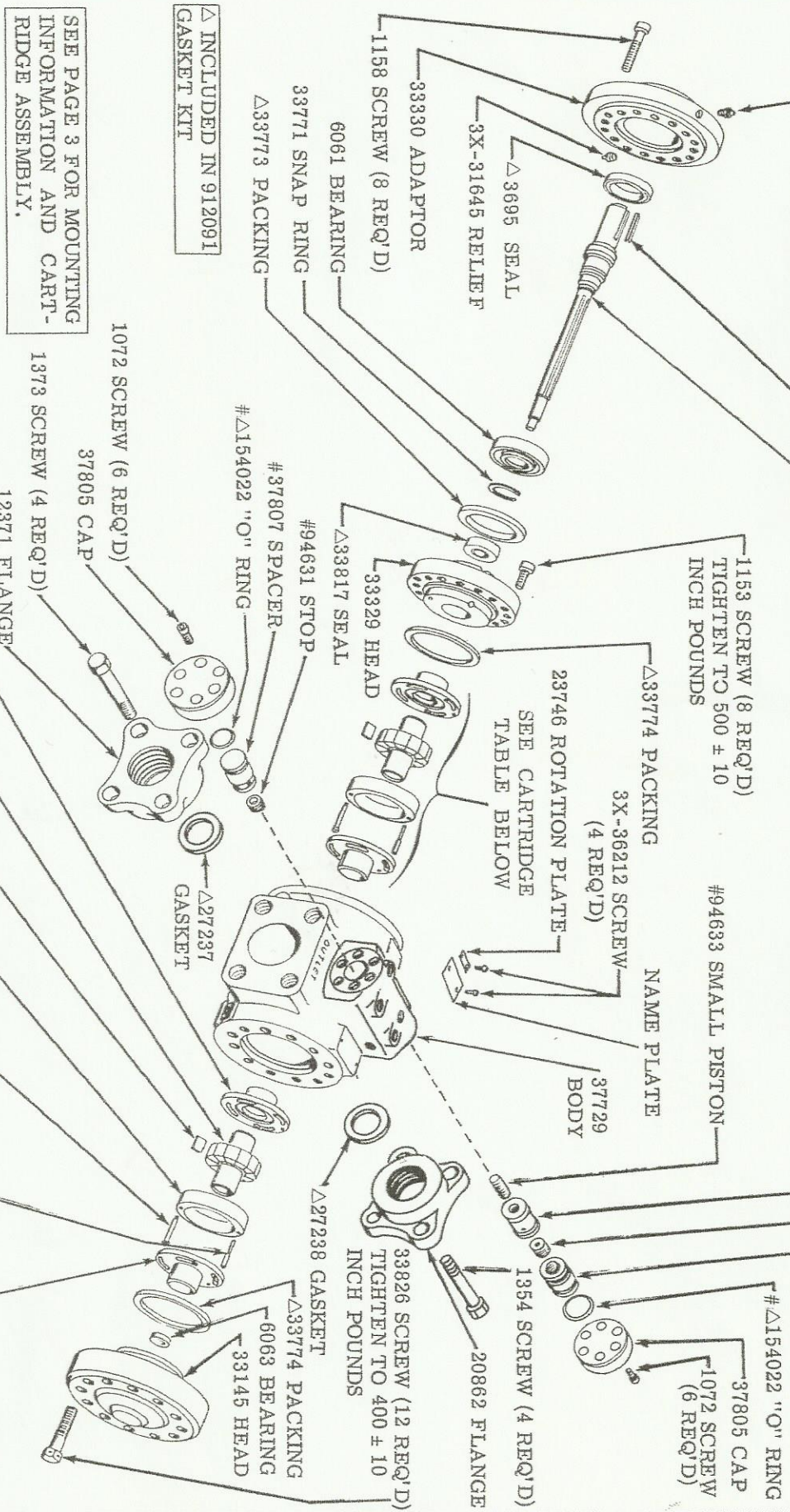
ATLANTA • CHICAGO • DETROIT • EL SEGUNDO • HOUSTON • SEATTLE • SPRINGFIELD, N. J. • TORONTO

I-3147-S

# -2, -3 AND -4 DESIGNS

MODEL	KEY	SHAFT
V-2***-2, 3 & 4	6053	33759
VK-2***-2, 3 & 4	34789	34783

# THESE PARTS ARE NOT INDIVIDUALLY PROCURABLE FOR THE -2 DESIGN PUMPS. ORDER CONVERSION KIT 919289 AND STAMP NEW MODEL NUMBER TO SHOW -3 DESIGN ON NAME PLATE SUPPLIED.



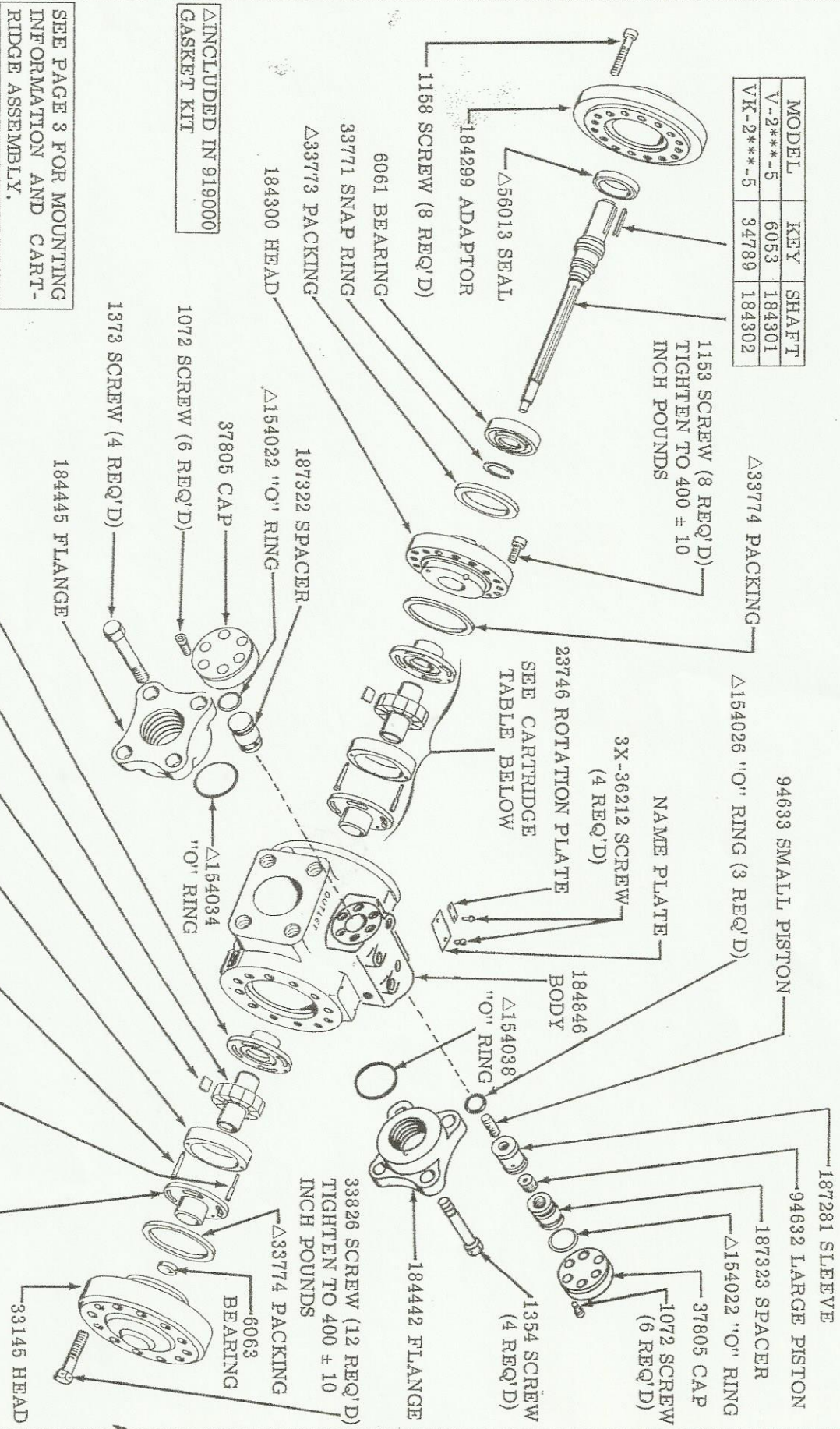
SEE PAGE 3 FOR MOUNTING INFORMATION AND CART-RIDGE ASSEMBLY.

MODEL	BUSHING	ROTOR	VANE KIT	RING	SCREW	SCREW	BUSHING	CARTRIDGE KITS
	R.H. or L.H.		(12 VANES)	(RETAINING)	(LOCATING)	R.H. or L.H.		
V / VK-234*-2, 3 & 4	6043	6044	6045	912025	60286	19900	6046	912172
V / VK-236*-2, 3 & 4	6043	6044	6045	912025	60286	19900	6046	912171
V / VK-246*-2, 3 & 4	6043	6044	6045	912025	60286	19900	6046	912170

THESE PARTS ARE INCLUDED IN CARTRIDGE KITS

-5 DESIGN

MODEL	KEY	SHAFT
V-2***-5	6053	184301
VK-2***-5	34789	184302



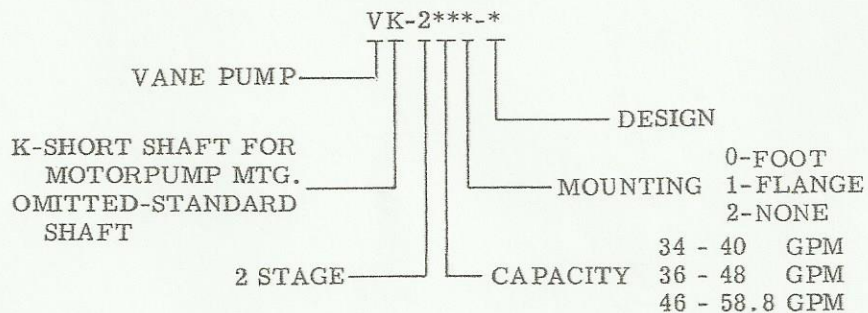
SEE PAGE 3 FOR MOUNTING INFORMATION AND CART-RIDGE ASSEMBLY.

ΔINCLUDED IN 919000 GASKET KIT

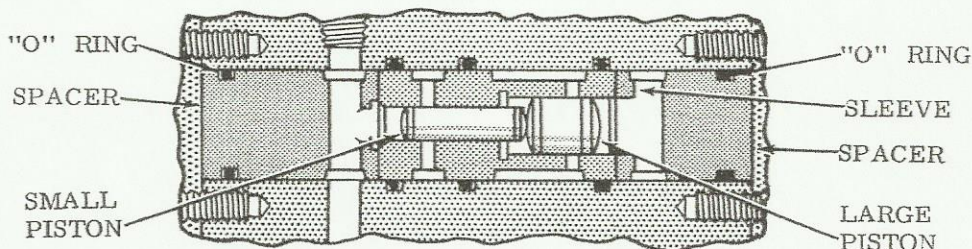
MODEL	BUSHING	ROTOR	VANE KIT	RING	SCREW	SCREW	BUSHING	CARTRIDGE
	R.H.or L.H.	(12 VANES)	(RETAINING)	(LOCATING)	R.H.or L.H.	KITS		
V/VK-234*-5	6043	6044	6045	912025	60286	6051	6044	912172
V/VK-236*-5	6043	6044	6045	912025	19900	6050	6044	912171
V/VK-246*-5	6043	6044	6045	912025	6046	6050	6044	912170

THESE PARTS ARE INCLUDED IN CARTRIDGE KITS

MODEL CODE

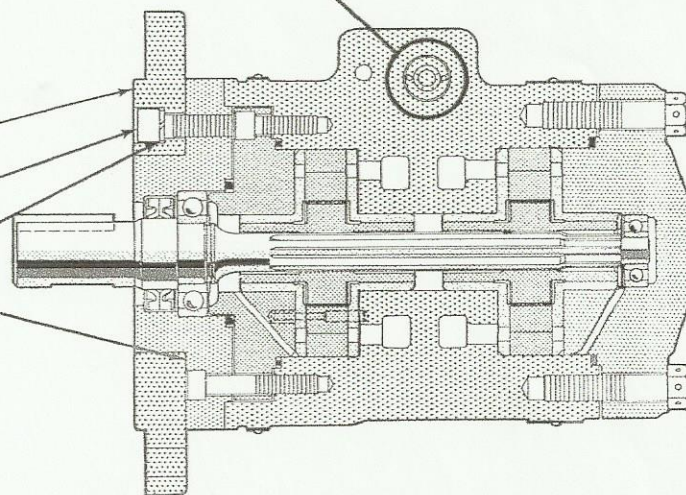


DIVIDING VALVE PARTS

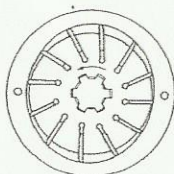


MOUNTING

MODEL	V-2**0	VVK-2**1	V-2**2
MOUNTING TYPE	FOOT 33218	FLANGE 33676	NONE
SCREW (8 REQ'D)	1173	1173	---
LOCKWASHER (8 REQ'D)	---	68913	---
GASKET	---	34310	---



VANE AND ROTOR ASSEMBLY  
HEAD-END VIEW FOR R. H. ROTATION SHOWN



Assembly of the rotor and vanes is determined by the direction of pump shaft rotation. Vanes must be assembled so that the small beveled edges are trailing as shown.

To insure sustained efficiency and maximum trouble-free life of this precision equipment, initial and continuous filtration of the fluid medium to 25 microns or less is essential. (For information pertaining to Vickers economical 10 micron filters, see installation drawing I & M 229847.)