

Service Data

Vickers®

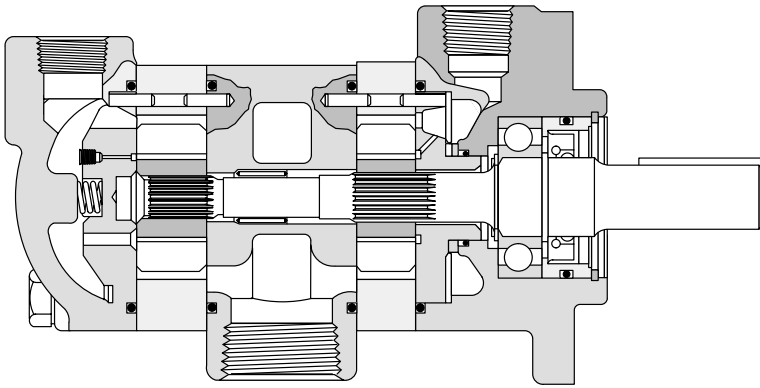
Vane Pumps



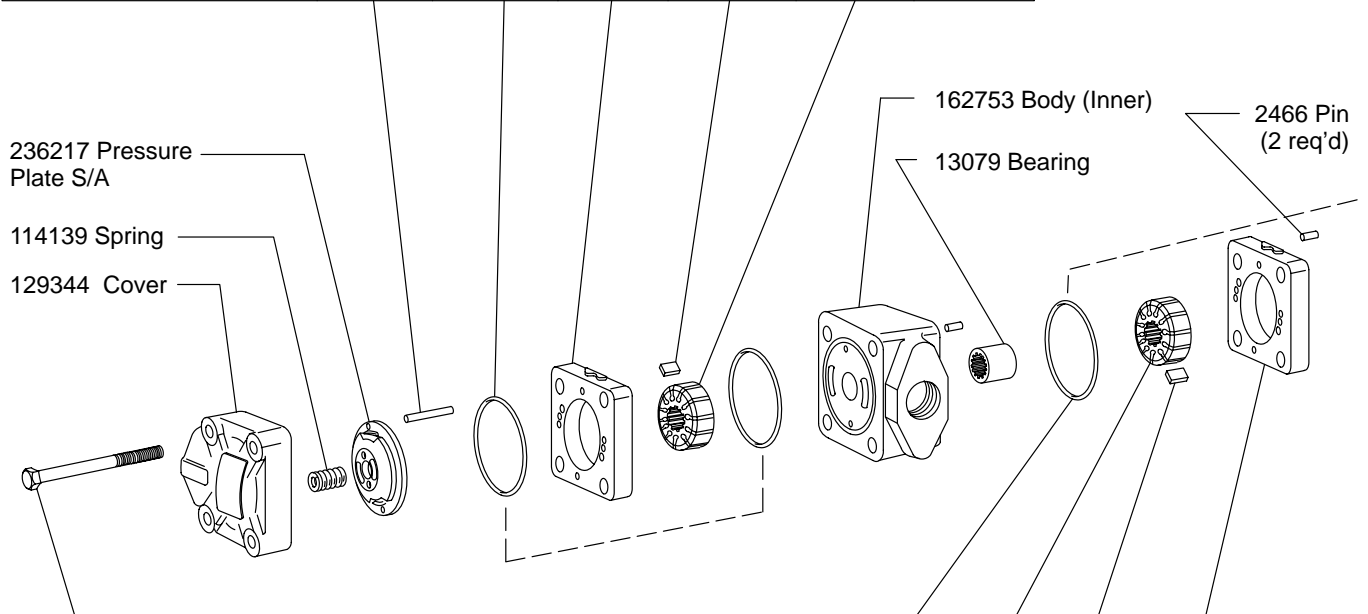
Vane Type Double Pumps

V2200-S214



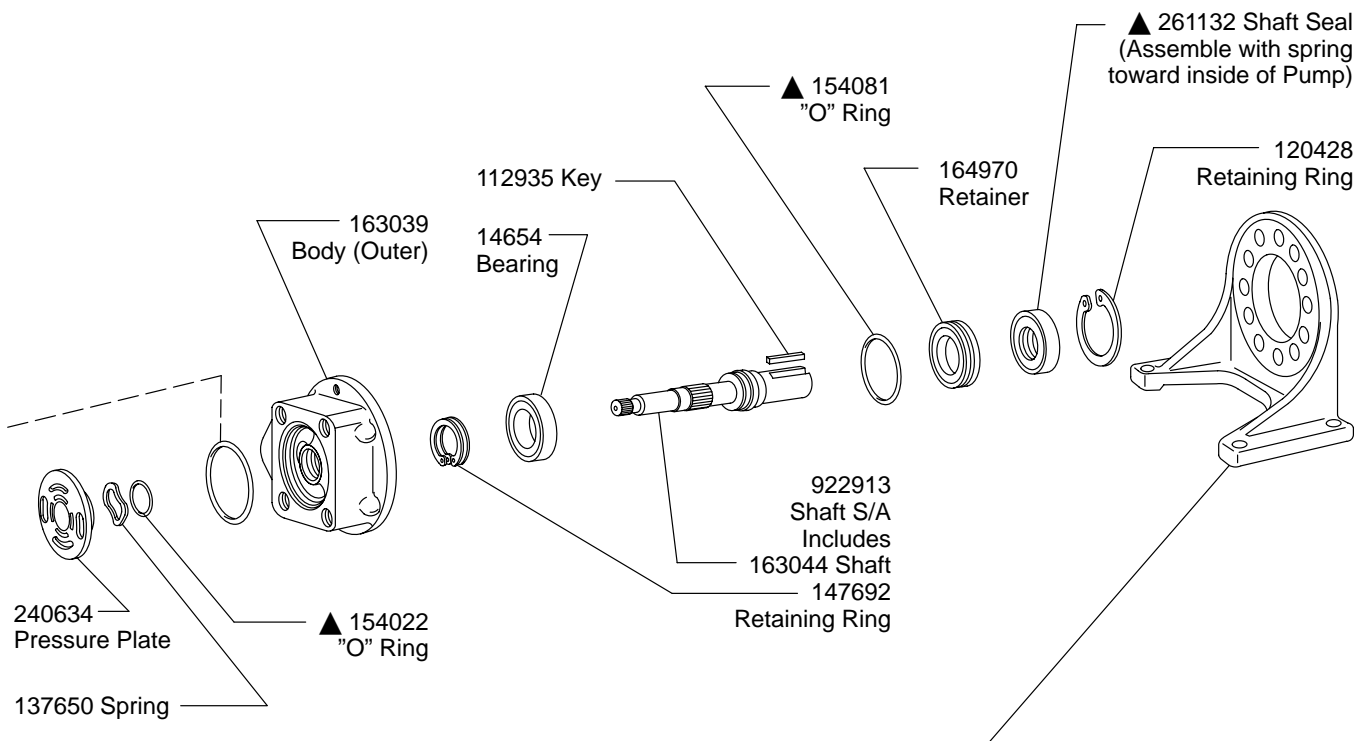


Capacity (Cover End)	Pin (2 req'd)	"O" Ring (2 req'd)	Ring	Vane Kit (12 req'd)	Rotor	Cartridge Kit
V223*-*-2-1AA-20-S214	2161	▲154090	116141	912031	172302	912063
V223*-*-5-1AA-20-S214			114173			912064
V223*-*-6-1AA-20-S214			133177			912065
V223*-*-8W-1AA-20-S214	2478		178183	912032	172294	922509
V223*-*-9W-1AA-20-S214			193219			922537
V223*-*-11W-1AA-20-S214			218320			922568

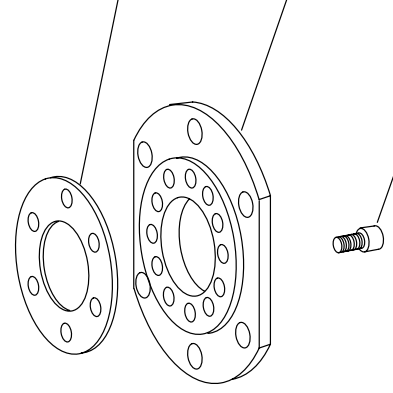


Cover Bolt (4 req'd) Torque to 65-76 lb. ft.	Capacity	
	Shaft End	Cover End
37878	V22**~2	2,5,6
118458		8W, 9W
38523	V22**~3	11W
37878		5
118458	V22**~5	8W
38523	V22**~6	11W
	V22**~8W	8W
45015	V22**~9W	11W
	V22**~11W	

Capacity (Shaft End)	"O" Ring (2 req'd)	Rotor	Vane Kit (12 req'd)	Ring	Cartridge Kit
223*-2-*~1**-20-S214	▲154090	240632	912031	116141	912231
223*-3-*~1**-20-S214				214140	922606
223*-5-*~1**-20-S214				114173	912196
223*-6-*~1**-20-S214		133177	919494		
223*-8W-*~1**-20-S214		174972	912032	178183	922510
223*-9W-*~1**-20-S214				193219	919495
223*-11-*~1**-20-S214	114172			912197	



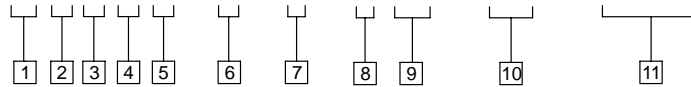
Mounting	Gasket	Bracket	Bolt (6 req'd)
V22*0-*-**-20	_____	_____	_____
V22*4-*-**-20	_____	128649	1072
V22*5-*-**-20	134305	128395	1274



▲ Included in 922762 seal kit

Model Code

V 2 2 3 * - * - * - 1 ** - 20 - S214



1 Model Series

V - Vane pump

2 Pump Size - Shaft End

3 Pump Size - Cover End

4 Body Type

5 Mounting

- 0 - Face
- 4 - Foot
- 5 - Flange

6 Capacity

(Shaft end pump)

7 Capacity

(Cover end pump)

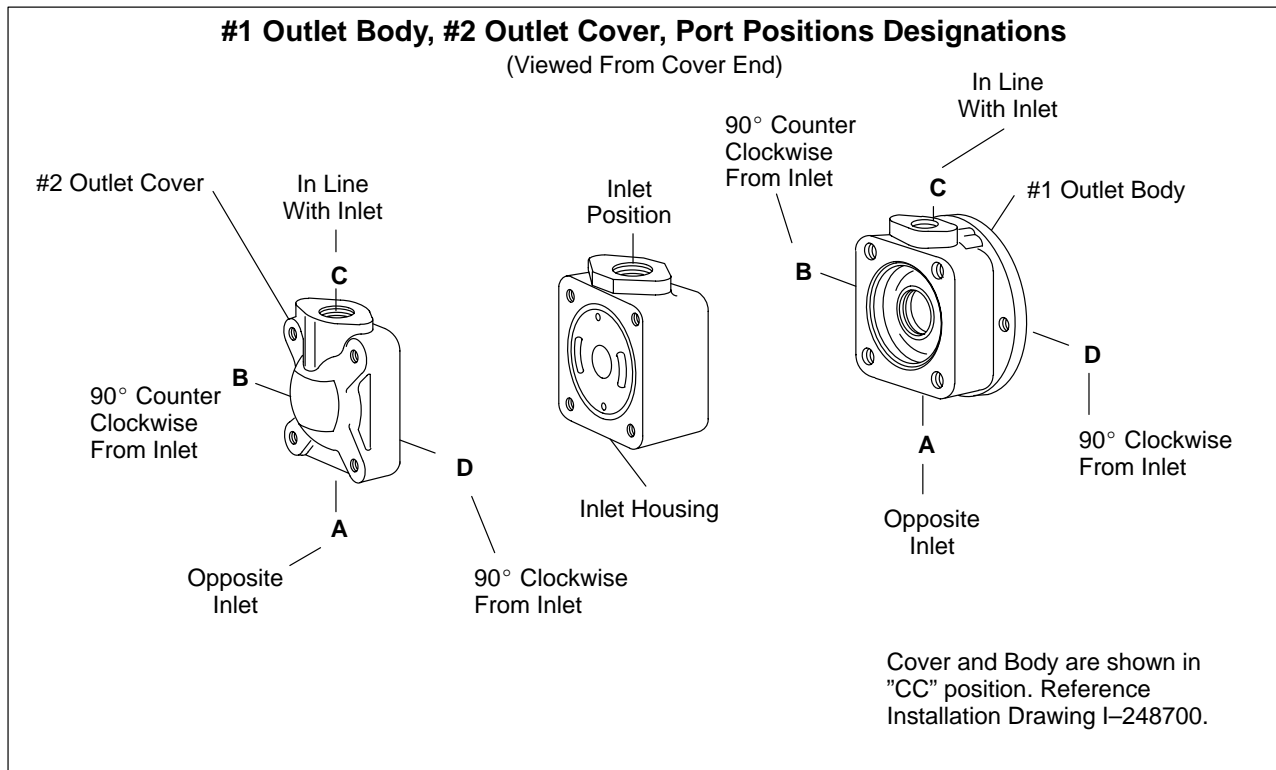
8 Shaft

9 #1 Outlet Body ()**

#2 Outlet Cover (**)
(See below)

10 Design & Modification

11 Special Feature Designed for Industrial Applications



For satisfactory service life of these components in industrial applications, use full flow filtration to provide fluid which meets ISO cleanliness code 20/18/15 or cleaner. Selections from Eaton OFP, OFR, and OFRS series are recommended.

Eaton Hydraulics

15151 Highway 5
Eden Prairie, MN 55344
Telephone: 612 937-7254
Fax: 612 937-7130
www.eatonhydraulics.com

46 New Lane, Havant
Hampshire PO9 2NB
England
Telephone: (44) 170-548-6451
Fax: (44) 170-548-7110

