

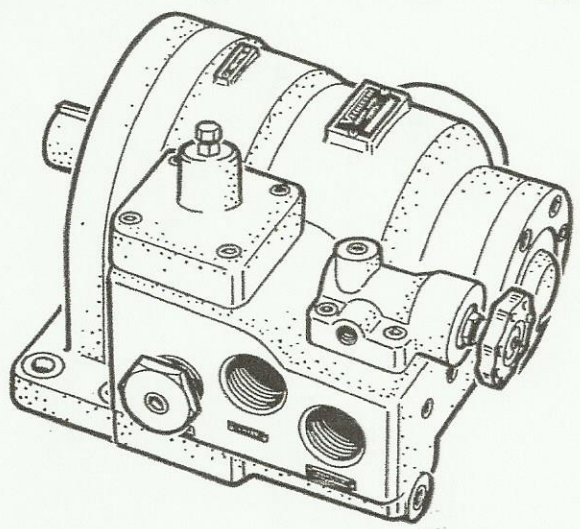
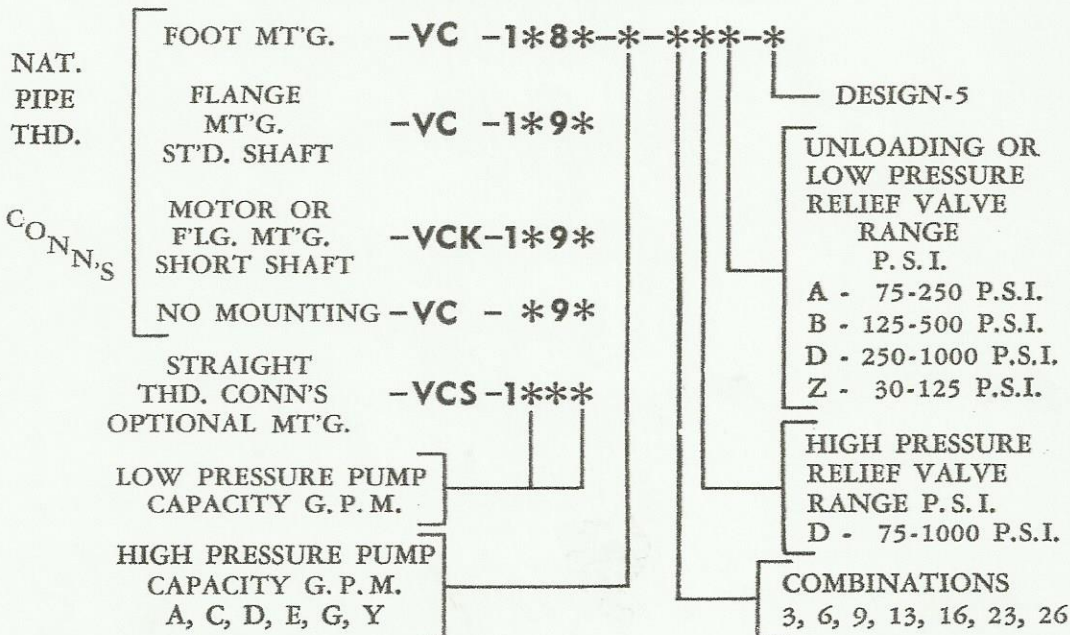
VICKERS®

Hydraulics

SERVICE PARTS INFORMATION

**LARGE
COMBINATION
PUMPS**

MODEL SERIES



**FOR
PARTS
REQUIREMENTS...**

**ORDER
from your nearest
Vickers Branch:**

- Chicago
- Detroit
- Los Angeles
- Seattle
- Springfield (N.J.)
- Toronto

**Your
PARTS ORDER
should show:**

- ✓ MODEL NUMBER
- ✓ PART NUMBER
- ✓ PART NAME
- ✓ QUANTITY DESIRED

PRINTED IN U. S. A.

VICKERS INCORPORATED

DIVISION OF SPERRY RAND CORPORATION
 MACHINERY HYDRAULICS DIVISION
 14420 LINWOOD AVE. • DETROIT 38, MICH.

I-1849-S

BASIC PUMP FOR ALL VALVE COMBINATIONS -5 DESIGN LARGE SIZE VC SERIES

SERIES	MOUNTING	GASKET	L. WASHER (8 REQ'D)	SCREW (8 REQ'D)	SHAFT	KEY
VC, VCS	1*8	FOOT	—	1114	182856	3457
VCK, VCKS	1*8	36609	—	1114	182857	1628
VC, VCS	1*9	FL'G	#34311	9X-8544	182856	3457
VCK, VCKS	1*9	33546	—	1114	182857	1628
VC, VCS	*9	—	—	—	182856	3457
VCK, VCKS	*9	—	—	—	182857	1628

1093 SCREW (8 REQ'D)
ADJUST TO
150 INCH/LBS. MIN.

REPLACED WITH
31525 PLUG FOR PUMP VALVE COMBINATION 6 AND 16

744-X POPPET
2943 SPRING
7079 PLUG

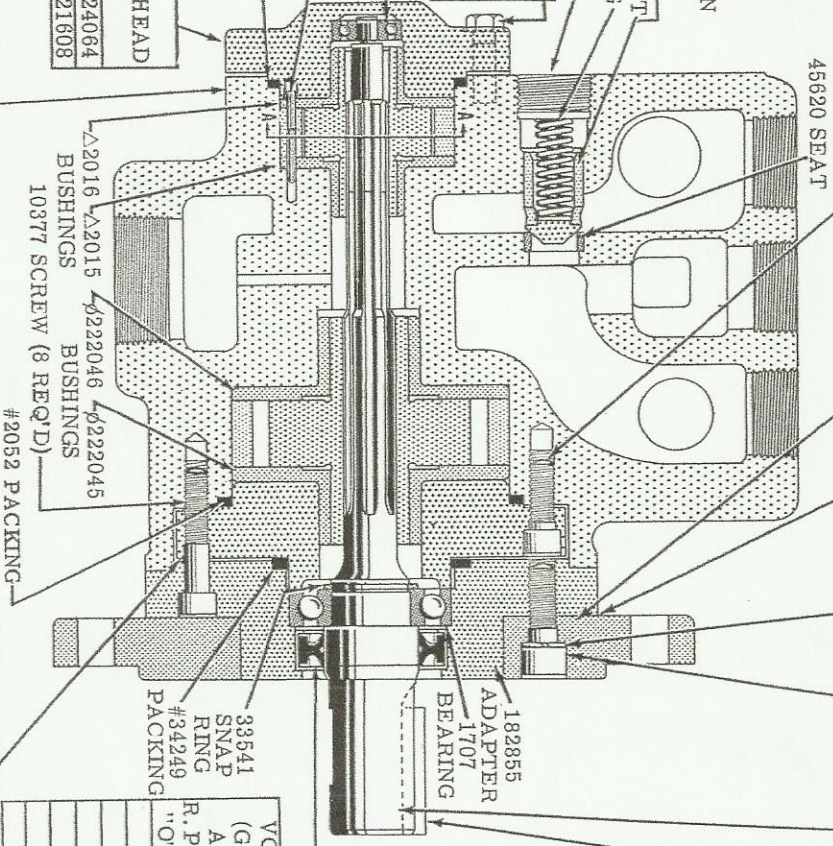
1273 SCREW (8 REQ'D)
ADJUST TO 50 INCH/LBS. MIN.

1700 BEARING

#2021 PACKING

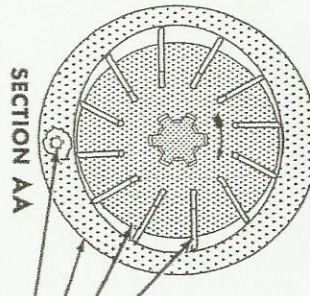
PUMP SIZE CODE LETTER	HEAD
A, C, E, G, Y	24064
D	21608

PUMP TYPE (See Model Code)	BODY
VC, VCK	33139
VCS, VCKS	184311



CARTRIDGE ASSEMBLY

RIGHT HAND ROTATION VIEWING PUMP FROM SHAFT END
REVERSE CARTRIDGE PARTS FOR LEFT HAND ROTATION ASSEMBLE VANES WITH BEVELLED EDGES TRAILING DIRECTION OF ROTATION.



#919004 GASKET KIT CONSISTS OF:	2021	2052	31411	33228	33542	34249	34311	154004	154005	154010	154012	154023	154128	154133	905505
PACKING	1	1	GASKET	1	GASKET	1	GASKET	"O" RING	"O" RING	"O" RING	"O" RING	"O" RING	"O" RING	"O" RING	OIL SEAL

#905505 OIL SEAL
APPLY LUBRICANT - COMPATIBLE WITH FLUID USED - TO I.D. OF SEAL AND ASSEMBLE WITH SPRING TOWARD INSIDE OF THE PUMP.

VOLUME (G.P.M.) AT 1200 R.P.M. AND "O" P.S.I.	(SEE MODEL CODE) PUMP SIZE LETTER	CART-RIDGE KIT NO.	CART-RIDGE KIT NO.	ROTOR	VANE KIT (12 VANES)	BUSH-INGS	PIN
1.5	Y	912017	12220				
2.5	E	912015	2299				
3.3	G	912016	40151	2008	912021	2015	2020
5.0	A	912013	2011				
8.0	C	912014	2013				
11.2	D	912018	2014	2007	912022		

PUMP MODEL	PUMP HEAD	VOLUME (G.P.M.) AT 1200 R.P.M. AND "O" P.S.I.	CARTRIDGE KIT NO.	CARTRIDGE KIT NO.	ROTOR	VANE KIT (12 VANES)	BUSHINGS	PIN
VC**--29, -128, -129		14.5	912077	24188				
VC**--39, -138, -139		18.8	912078	2044	2042	912023	222045	2051
VC**--39U, -138U, -139U		22.3	912079	15482				
VC**--39X, -138X, -139X		29.1	912080	2347				
VC**--49, -148, -149		36.8	912081	3246	2065	912024	222046	

