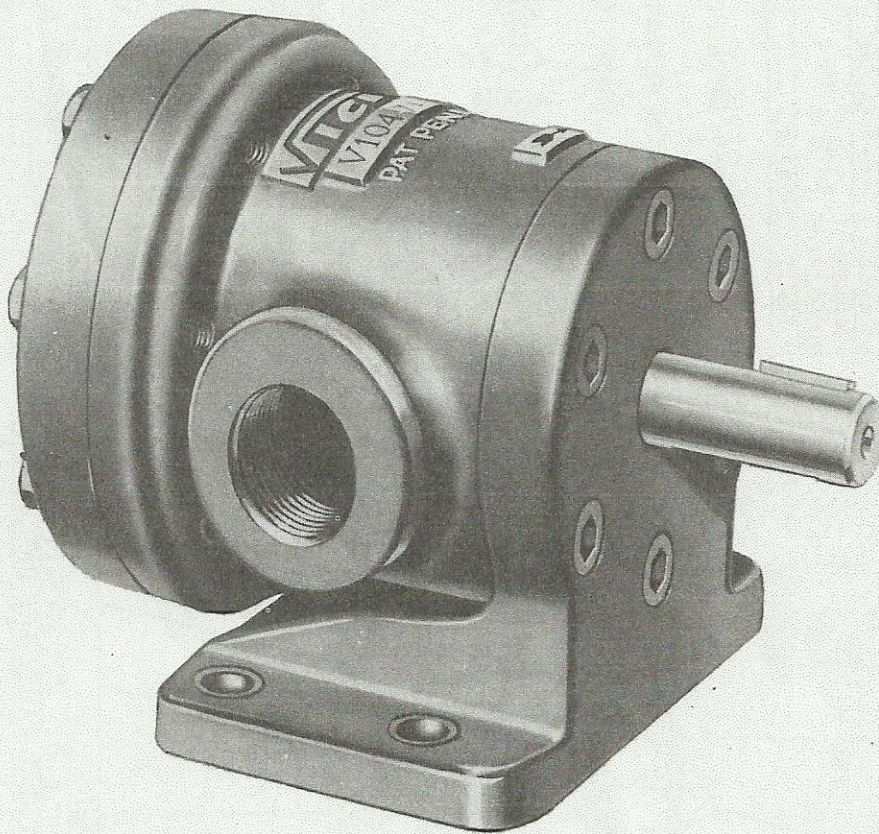


VICKERS

Service Parts Information

Vane
Type
Single
Pumps

Small Series
V, VK, VS and VSK-104, 105, 111-*
Basic and -10 Designs



Vickers, Incorporated

1401 Crooks Road
Troy, Michigan 48084

Revised 9-1-85

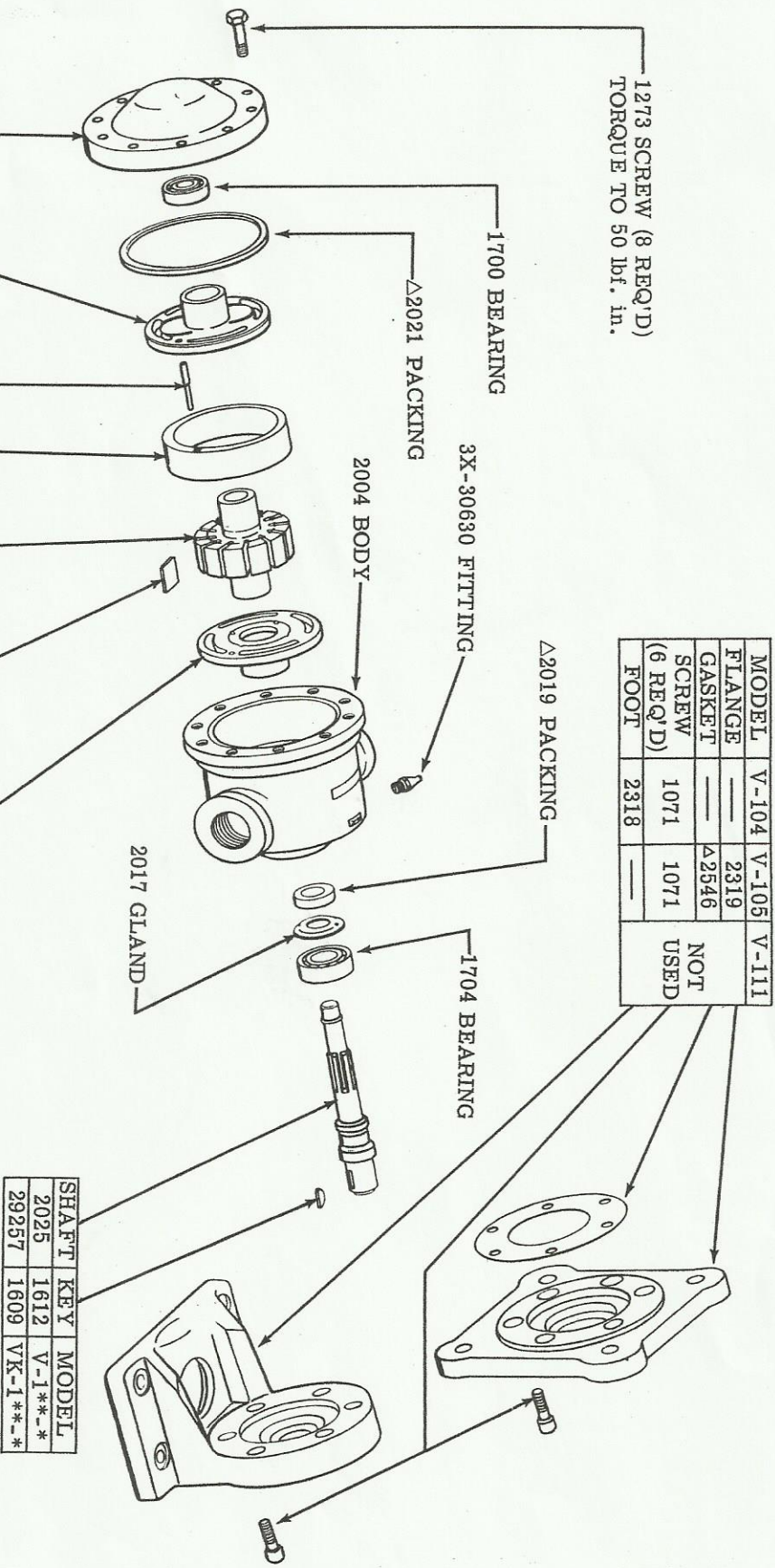
I-3101-S

A Libbey-Owens-Ford Company

- 0 DESIGN

SEE SERVICE MANUAL
I-3100-S FOR
MAINTENANCE INFORMATION.

1273 SCREW (8 REQ'D)
TORQUE TO 50 lbf. in.



MODEL	HEAD	BUSHING		PIN	RING	ROTOR	VANE KIT	BUSHING		CARTRIDGE KIT	CAPACITY (GPM @ 1000 PSI)
		R. H. or L. H.	THESE PARTS ARE INCLUDED IN CARTRIDGE KITS					R. H. or L. H.	KIT		
V-1**-A	24064				2011	2008	912021			912013	4.7
V-1**-C	21608				2013	2007	912022			912014	7.5
V-1**-D	21608	2016	2015	2020	2014	2008	912021	2015	2016	912018	10.6
V-1**-E	24064				2299	2008	912021			912015	2.0
V-1**-G					40151	2008	912021			912016	3.0
V-1**-Y					12220	2008	912021			912017	1.1

SHAFT	KEY	MODEL
2025	1612	V-1**-*
29257	1609	VK-1**-*

Δ INCLUDED IN
912012 SEAL KIT

-10 DESIGN

SEE SERVICE MANUAL
I-3100-S FOR
MAINTENANCE INFORMATION.

MODEL	BODY
V-1**	188235
VK-1**	190089
VS-1**	
VSK-1**	

MODEL	V*-104	V*-105	V*-111
FLANGE		188233	
GASKET		Δ2546	
SCREW (6 REQ'D)	1071	1071	NOT USED
FOOT	188234		

1273 SCREW (8 REQ'D)
TORQUE TO 50 lbf. in.

1700 BEARING

Δ2021 PACKING

98653 RETAINING RING

1704 BEARING

Δ154077 "O" RING

1612 KEY

Δ188323 SEAL - ASSEMBLE
WITH SPRING TOWARD INSIDE
OF PUMP

185078 RETAINER
INSTALL NARROW LIP TOWARD
BEARING IF GROOVE IS NOT IN
CENTER.

SHAFT	MODEL
188328	V & VS-1**
188327	VK & VSK-1**

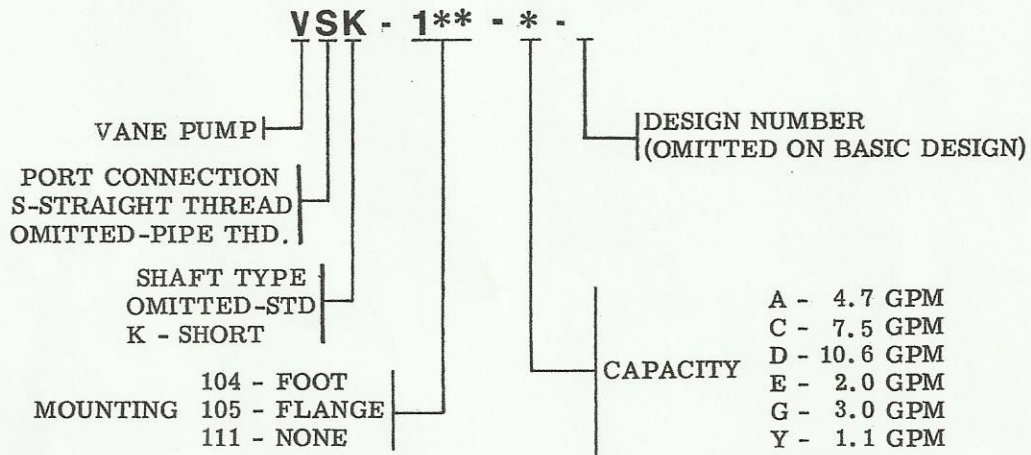
ΔINCLUDED IN
919005 SEAL KIT

F3 EQUIVALENT
919298 SEAL KIT

MODEL	HEAD	BUSHING		PIN	RING	ROTOR	VANE KIT (12 VANES)	BUSHING		CARTRIDGE KIT	CAPACITY (GPM @ 1000 PSI)
		R. H. or L. H.	R. H. or L. H.					R. H. or L. H.	R. H. or L. H.		
V*-1**-A-10	24064			2011	2008	912021				912013	4.7
V*-1**-C-10				2013						912014	7.5
V*-1**-D-10	21608	2016	2015	2014	2007	912022	2015	2016		912018	10.6
V*-1**-E-10				2299						912015	2.0
V*-1**-G-10	24064			40151	2008	912021				912016	3.0
V*-1**-Y-10				12220						912017	1.1

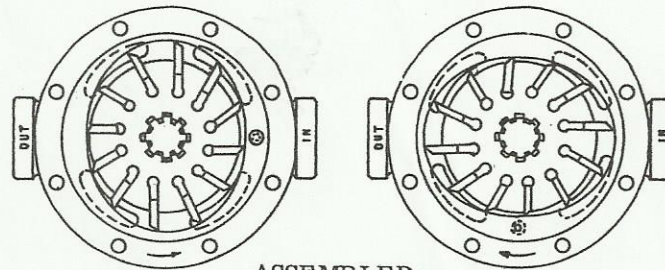
THESE PARTS ARE INCLUDED IN CARTRIDGE KITS

MODEL CODE BREAKDOWN



ASSEMBLED FOR
RIGHT HAND ROTATION

ASSEMBLED FOR
LEFT HAND ROTATION



ASSEMBLED
VIEW
FACING HEAD END

Assembly of the rotor and vanes is determined by the direction of the pump shaft rotation. Vanes must be assembled so that the small beveled edges are trailing as shown. Rotation is determined by viewing pump from shaft end. Clockwise rotation of the shaft for right hand. Left hand rotation is counterclockwise.

For satisfactory service life of these components in industrial applications, use full flow filtration to provide fluid which meets ISO cleanliness code 18/15 or cleaner. Selections from Vickers OFP, OFR, and OFRS series are recommended.