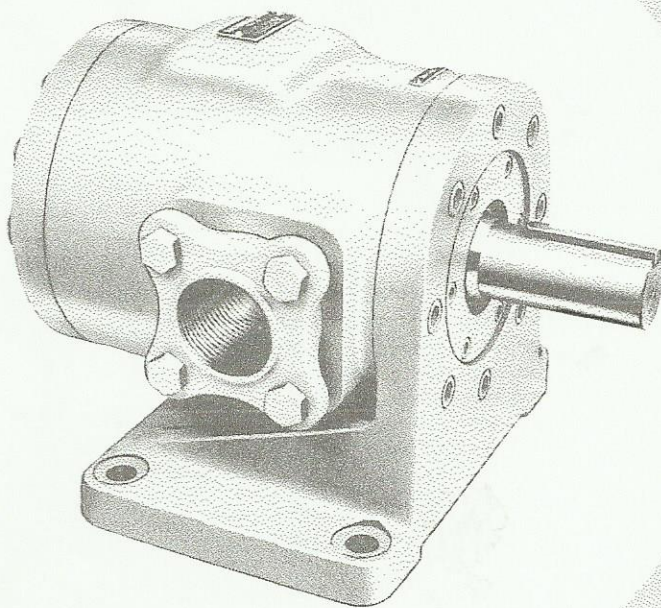
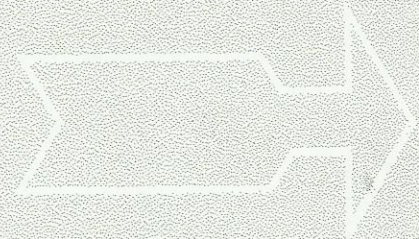


**VICKERS**

**VANE TYPE  
SINGLE PUMPS**



**SERVICE  
PARTS  
INFORMATION**



**Large Series**

**Models: V-VF-VG-VK-VFK-VGK- 40, 360, 460 Series  
Basic & -10 Designs**

**VICKERS INCORPORATED**

DIVISION OF SPERRY RAND CORPORATION

**Machinery Hydraulics Division**

**Service Department**

**14420 Linwood Avenue**

**Detroit 38, Michigan**

CHICAGO • DETROIT • EL SEGUNDO • SEATTLE • SPRINGFIELD, N.J. • TORONTO

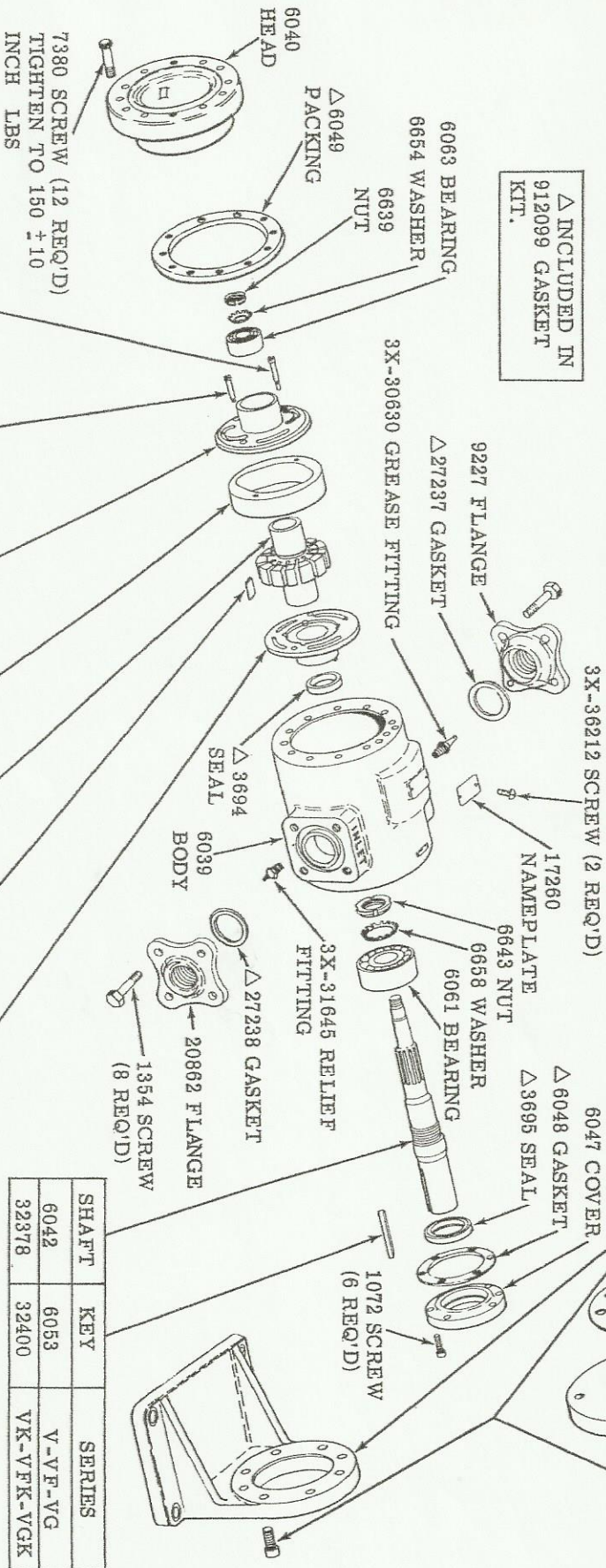
1-1695-S

# BASIC DESIGN

(EXAMPLE: V-460)

MODEL	V-VK-360-460 VF-VFK-40	V-VK-361-461 VG-VGK-40	V-VK-362-462 V-VK-40
LOCKWASHER (8 REQ'D)		8545	
FLANGE		9323	
GASKET		32859	
SCREW (8 REQ'D)	1153	1153	
FOOT	6041		

△ INCLUDED IN  
912099 GASKET  
KIT.



These Parts are Included in Cartridge Kits

MODEL	SCREW		BUSHING R.H. or L.H.		RING	ROTOR	VANE KIT (12 VANES)	BUSHING R.H. or L.H.		CARTRIDGE KITS	CAPACITY (GPM)
	SCREW	SCREW									
V-VK-360-361-362					19900	6045	912025	6043	6044	912171	48
V-VK-460-461-462	6050	6051	6044	6043	6046	6045	912025	6043	6044	912170	60
V-VF-VG-40					60286	6045	912025	6043	6044	912172	40
VK-VFK-VGK-40						6045	912025	6043	6044		

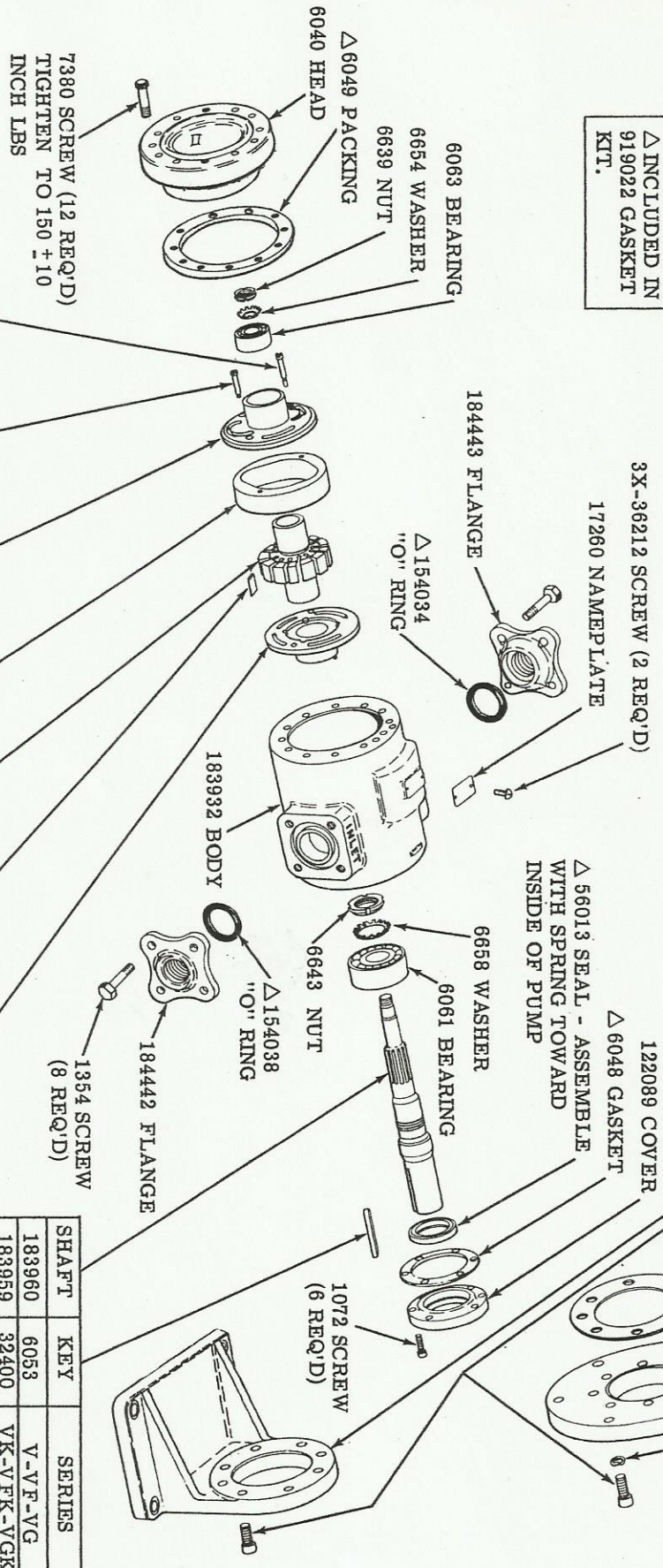
SHAFT	KEY	SERIES
6042	6053	V-VF-VG
32378	32400	VK-VFK-VGK

# -10 DESIGN

(EXAMPLE: V-460-10)

MODEL	V-VK-360-460 VF-VFK-40	V-VK-361-461 VG-VGK-40	V-VK-362-462 V-VK-40
LOCKWASHER (8 REQ'D)	8545	9323	32859
FLANGE	1153	1153	6041
GASKET	1153	1153	6041
SCREW (8 REQ'D)	1153	1153	6041
FOOT	6041	6041	6041

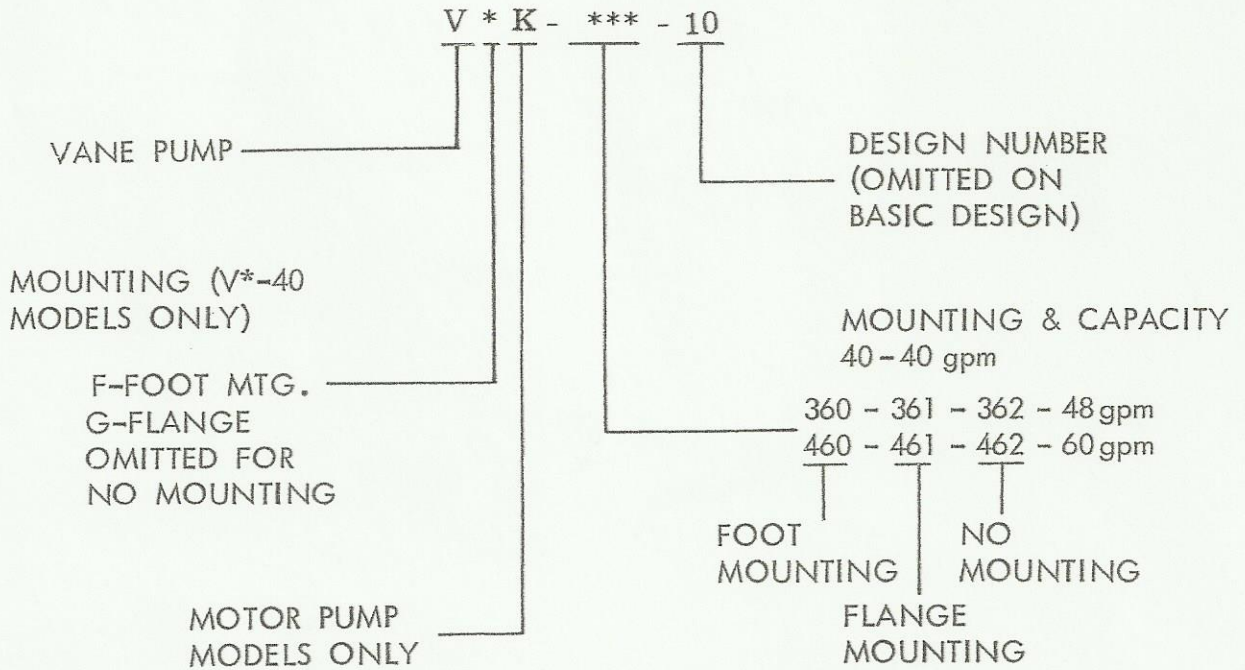
△ INCLUDED IN  
919022 GASKET  
KIT.



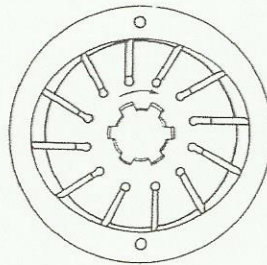
SHAFT	KEY	SERIES
183960	6053	V-VF-VG
183959	32400	VK-VFK-VGK

MODEL	SCREW	SCREW	BUSHING R.H. or L.H.	RING	ROTOR	VANE KIT (12 VANES)	BUSHING R.H. or L.H.	CARTRIDGE KITS	CAPACITY (GPM)
	These Parts are Included in Cartridge Kits								
V-VK-360-361-362	6050	6051	6044	19900	6045	912025	6043	912171	48
V-VK-460-461-462	6050	6051	6044	6046	6045	912025	6043	912170	60
V-VF-VG-40	6050	6051	6044	60286	6045	912025	6043	912172	40
VK-VFK-VGK-40	6050	6051	6044	60286	6045	912025	6043	912172	40

## MODEL CODE BREAKDOWN



## VANE AND ROTOR ASSEMBLY



Assembly of the rotor and vanes is determined by the direction of pump shaft rotation. Vanes must be assembled so that the small beveled edges are trailing as shown.

*To insure sustained efficiency and maximum trouble-free life of this precision equipment, initial and continuous filtration of the fluid medium to 25 microns or less is essential. (For information pertaining to Vickers economical 10 micron filters, see installation drawing I & M 229847.)*