

VICKERS®

Hydraulic

DOUBLE PUMPS

SERVICE PARTS INFORMATION

for

MODEL SERIES

V-368-* -0/10

V-369-* -0/10

V-370-* -0/10

V-468-* -0/10

V-469-* -0/10

V-470-* -0/10

VV-* -40-0/10

VVF-* -40-0/10

VVG-* -40-0/10

HOW TO ORDER PARTS

DATA YOU SHOULD FURNISH ON YOUR PARTS ORDER:

1. MODEL NUMBER
2. PART NUMBER
3. PART NAME
4. QUANTITY DESIRED

HOW TO FIND THIS DATA:

1. MODEL NUMBER. Consult your records or the stamping on the unit name plate.
2. MODEL NUMBER CODE. To conserve space in model tabulation, all models covered by this Parts Catalog have been assigned a MODEL CODE NUMBER. Refer to the Model Code Table for this number.
3. PART IDENTIFICATION. Locate the part in the exploded view(s) following this cover and follow the arrow to the part reference LETTER. Use this letter to locate the PART NUMBER in the Parts Table. *Do not order parts by this letter.*
4. PART NUMBER. Locate the part reference LETTER in the Parts Table and read across to the vertical column headed by the MODEL CODE NUMBER. This line will supply PART NUMBER, PART NAME, QUANTITY per model, and RECOMMENDED QUANTITY for stock.

PRINTED IN U. S. A.

VICKERS INCORPORATED

DIVISION OF SPERRY RAND CORPORATION
MACHINERY HYDRAULICS DIVISION
14420 LINWOOD AVE. • DETROIT 38, MICH.

I-1800-S

MODEL CODE TABLE			
LARGE VOLUME PUMP & MOUNTING	SMALL VOLUME PUMP (*)	DESIGN NO. CODE	DESIGN NO.
V-368-*-0/10	1 OR Y	1	2
V-369-*-0/10	2 OR E		
V-370-*-0/10			
V-468-*-0/10	3 OR G		
V-469-*-0/10	5 OR A	3	4
V-470-*-0/10			
VV-*-40-0/10	8 OR C		
VVF-*-40-0/10	11 OR D		
VVG-*-40-0/10		5	6

V-468 - D - 0/10 VVF - 1 - 40 - 0/10

MOUNTING & LARGE PUMP SIZE SMALL PUMP SIZE (*) OR DESIGN NO. MOUNTING STYLE & MOUNTING OR STYLE & MOUNTING SMALL PUMP SIZE (*) LARGE PUMP SIZE DESIGN NO.

PARTS TABLE

PART INDEX REF	PART NUMBER	PART NAME	SMALL VOLUME PUMP SIZE	QTY PER UNIT						QTY PER OVERHAUL
				MODEL CODE	1	2	3	4	5	
A	† 24064	. HEAD	1,2,3,5,8 or A,C,E,G,Y	1	1	1	1	1	1	0
	† 21608	. HEAD	11, D	1	1	1	1	1	1	0
B	1273	. SCREW		8	8	8	8	8	8	32
C	Δ 2021	. PACKING		1	1	1	1	1	1	12
D	Δ 2016	. BUSHING - R.H.		1	1	1	1	1	1	5
E	Δ 2020	. BUSHING - L.H.		1	1	1	1	1	1	5
F	Δ 6779	. PIN	1,2,3,5,8 or A,C,E,G,Y	1	1	1	1	1	1	1
	Δ 27203	. ROTOR	11 OR D	1	1	1	1	1	1	5
G	Δ 912028	. ROTOR	1,2,3,5,8 or A,C,E,G,Y	1	1	1	1	1	1	5
	Δ 912027	. VANE KIT (12 Vanes)	11 OR D	1	1	1	1	1	1	5
	Δ 12220	. VANE KIT (12 Vanes)	11 OR D	1	1	1	1	1	1	5
H	Δ 2399	. RING (2.5 gpm)	2 OR E	1	1	1	1	1	1	5
	Δ 40151	. RING (3.3 gpm)	3 OR G	1	1	1	1	1	1	5
	Δ 2011	. RING (3.0 gpm)	5 OR A	1	1	1	1	1	1	5
	Δ 2013	. RING (8.0 gpm)	8 OR C	1	1	1	1	1	1	5
	Δ 2014	. RING (11.2 gpm)	11 OR D	1	1	1	1	1	1	5
J	Δ 2015	. BUSHING - R.H.		1	1	1	1	1	1	5
	Δ 2016	. BUSHING - L.H.		1	1	1	1	1	1	5
K	† 2323	. FLANGE		1	1	1	1	1	1	0
L	1272	. SCREW		5	5	5	5	5	5	20
M	1273	. SCREW		6	6	6	6	6	6	24
N	1568	. LOCKWASHER		6	6	6	6	6	6	24
O	# 2547	. GASKET		1	1	1	1	1	1	12
P	# 2546	. GASKET		1	1	1	1	1	1	12

PART TABLE

PART INDEX REF.	PART NUMBER	PART NAME	SMALL VOLUME PUMP SIZE	QTY PER UNIT						QTY PER OVERHAUL
				MODEL CODE	1	2	3	4	5	
Q	† 2004	. BODY		1	1	1	1	1	1	0
R	† 188235	. BODY		1	1	1	1	1	1	0
S	† 10226	. PLUG		1	1	1	1	1	1	1
T	7380	. HEAD		1	1	1	1	1	1	0
U	# 6049	. SCREW		12	12	12	12	12	12	48
V	† 6039	. PACKING		1	1	1	1	1	1	12
W	6654	. NUT - LOCK		1	1	1	1	1	1	2
X	6063	. WASHER - LOCK		1	1	1	1	1	1	6
Y	† 6051	. BEARING		1	1	1	1	1	1	3
Z	† 6050	. SCREW, LOCATING		1	1	1	1	1	1	4
AA	† 6044	. SCREW, RETAINING		1	1	1	1	1	1	4
AB	† 6043	. BUSHING - R.H.		1	1	1	1	1	1	5
AC	† 6045	. BUSHING - L.H.		1	1	1	1	1	1	5
AD	† 19900	. ROTOR		1	1	1	1	1	1	5
AE	† 6046	. VANE KIT (12 Vanes)		1	1	1	1	1	1	5
AF	† 6044	. RING (48 gpm)		1	1	1	1	1	1	5
AG	† 6043	. RING (58.8 gpm)		1	1	1	1	1	1	5
AH	† 6044	. RING (40 gpm)		1	1	1	1	1	1	5
AI	† 6043	. RING (40 gpm)		1	1	1	1	1	1	5
AJ	† 6044	. BUSHING - R.H.		1	1	1	1	1	1	5
AK	† 6043	. BUSHING - L.H.		1	1	1	1	1	1	5
AL	† 9323	. KEY		1	1	1	1	1	1	5
AM	8545	. COVER - BEARING		1	1	1	1	1	1	5
AN	32659	. COVER - BEARING		1	1	1	1	1	1	5
AO	184646	. SHAFT		1	1	1	1	1	1	6
AP	6643	. NUT - LOCK		1	1	1	1	1	1	6
AQ	6658	. WASHER - LOCK		1	1	1	1	1	1	2
AR	6061	. BEARING		1	1	1	1	1	1	6
AS	# 3695	. OIL SEAL		1	1	1	1	1	1	3
AT	# 56013	. OIL SEAL		1	1	1	1	1	1	12
AU	3X-30630	. FITTING - GREASE		1	1	1	1	1	1	12
AV	3X-31645	. FITTING - RELIEF		1	1	1	1	1	1	1
AW	† 6039	. BODY		1	1	1	1	1	1	0
AX	† 9227	. FLANGE - OUTLET		1	1	1	1	1	1	0
AY	† 184443	. FLANGE - OUTLET		1	1	1	1	1	1	0
AZ	# 154034	. SCREW		4	4	4	4	4	4	32
BA	† 20862	. GASKET		1	1	1	1	1	1	12
BB	† 184442	. "O" RING		1	1	1	1	1	1	12
BC	1364	. FLANGE - INLET		1	1	1	1	1	1	0
BD	# 27338	. SCREW		4	4	4	4	4	4	16
BE	† 154038	. GASKET		1	1	1	1	1	1	12
BF	† 17260	. "O" RING		1	1	1	1	1	1	12
	3X-36212	. NAME PLATE		4	4	4	4	4	4	16
	† 23746	. SCREW		1	1	1	1	1	1	12
		. PLATE - ROTATION		1	1	1	1	1	1	0

Δ Included in Cartridge Kit (See Page I-1800-S2)
 ⊕ Included in Cartridge Kit (See Page I-1800-S2)
 # Included in Gasket Kit (See Page I-1800-S2)

MOUNTING TABLE						
INDEX REF. NUMBER	PART NUMBER	PART NAME	MODEL	DESIGN	QTY. PER UNIT	QTY. FOR STOCK
T 6041		MOUNTING - FOOT	V368-V468-VVF-**-40	ALL	1	0
T 9323		MOUNTING - FLANGE	V368-V468-VVG-**-40	ALL	1	0
AL	1153	SCREW	V368-V468-VVG-**-40	ALL	6	24
AM	8545	LOCKWASHER	V368-V468-VVG-**-40	ALL	6	24
AN	32859	GASKET	V368-V468-VVG-**-40	ALL	1	12

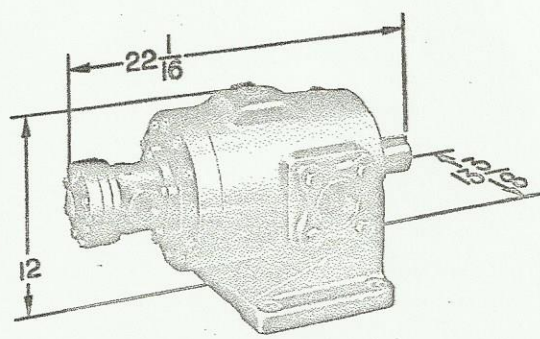
A CARTRIDGE KIT TABLE - SMALL VOL. PUMP				
CARTRIDGE KITS	"H"		PUMP	
	G.P.M.	RING	SIZE	
912042	5.0	2011	5 OR A	
912043	8.0	2013	8 OR C	
912044	11.2	2014	11 OR D	
912045	2.5	2299	2 OR E	
912046	3.3	40151	3 OR G	
912047	1.5	12220	1 OR Y	

C CARTRIDGE KIT TABLE - LARGE VOL. PUMP			
CARTRIDGE KITS	"AD"		MODEL NUMBER
	G.P.M.	RING	
912170	58.8	6046	V468/V469/V470-0/10
912171	48	19900	V368/V369/V370-0/10
912172	40	60286	VV/VVE/VVG-40-0/10

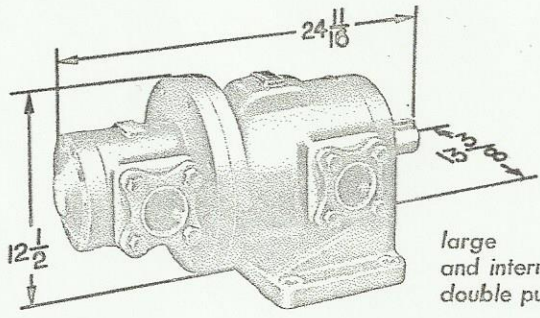
# GASKET KIT TABLE	
- DESIGN	919045
912094	

Note: Cartridge parts shown in illustration on Page I-1800-Sa are exploded for right-hand shaft rotation (clockwise viewed from shaft end of pump). For left-hand rotation (identified by suffix letters "L.H." in model number), bushings are interchanged and rings, rotor and vanes are turned so small end of pin extends into head when assembled. See manual I-1425-S.

double pumps large-small and large-intermediate sizes

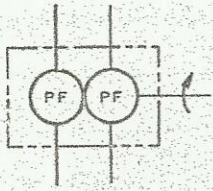


large and small series double pump



large and intermediate series double pump

	Weight (approx) lb	Installation drawing numbers
Large and small series, all models.....	257	I-137475
Large and intermediate series, foot mounting.....	345	I-33501
Large and intermediate series, flange mounting.....	336	I-33501



Add suffix LH to specify left hand rotation as VVF-1-40-LH.

Direction of drive shaft rotation is determined by viewing pump from shaft end.

Pressure relief valve is required in circuit to control maximum working pressure.

*Tabulated data are based upon performance at an oil temperature of 120°F. and a viscosity of 150 S.S.U. at 100°F.

Performance ratings listed are maximum for continuous duty with petroleum oil. Ratings for continuous and intermittent duty with fire resistant fluids and ratings for intermittent duty with petroleum are in installation drawings.

Filtration to 25 microns or finer is recommended for fluid passing through these pumps. See installation drawings for fluid and filter specifications.

operating characteristics at 1200 rpm* (characteristics at other drive speeds are approximately proportional to rpm)

	model numbers		small volume—head end pump						large volume—shaft end pump							
			gpm			hp input			gpm			hp input				
			0 psi	500 psi	1000 psi	0 psi	500 psi	1000 psi	0 psi	500 psi	800 psi	0 psi	500 psi	600 psi		
large and small series	foot mounting	flange mounting	VVF-1-40	VVG-1-40	1.8	1.5	1.1	.20	0.9	1.5	41.7	39.5	38.1	1.6	14.0	21.6
			VVF-2-40	VVG-2-40	2.7	2.4	2.0	.25	1.2	2.2						
	VVF-3-40	VVG-3-40	3.7	3.4	3.0	.25	1.4	2.6								
	VVF-5-40	VVG-5-40	5.3	5.0	4.7	.30	1.9	3.6								
	VVF-8-40	VVG-8-40	8.2	7.9	7.5	.35	2.8	5.2								
	VVF-11-40	VVG-11-40	11.5	11.0	10.6	.40	3.7	7.0								
	flange mounting	V-369-Y	V-369-Y	1.8	1.5	1.1	.20	0.9	1.5	48.5	46.8	45.7	2.0	16.5	25.1	
		V-369-E	V-369-E	2.7	2.4	2.0	.25	1.2	2.2							
		V-369-G	V-369-G	3.7	3.4	3.0	.25	1.4	2.6							
		V-369-A	V-369-A	5.3	5.0	4.7	.30	1.9	3.6							
		V-369-C	V-369-C	8.2	7.9	7.5	.35	2.8	5.2							
		V-369-D	V-369-D	11.5	11.0	10.6	.40	3.7	7.0							
flange mounting	V-469-Y	V-469-Y	1.8	1.5	1.1	.20	0.9	1.5	60.6	58.3	57.4	2.7	20.4	31.2		
	V-469-E	V-469-E	2.7	2.4	2.0	.25	1.2	2.2								
	V-469-G	V-469-G	3.7	3.4	3.0	.25	1.4	2.6								
	V-469-A	V-469-A	5.3	5.0	4.7	.30	1.9	3.6								
	V-469-C	V-469-C	8.2	7.9	7.5	.35	2.8	5.2								
	V-469-D	V-469-D	11.5	11.0	10.6	.40	3.7	7.0								
large and intermediate series	foot mounting	flange mounting	VVSF-14-40	VVSG-14-40	15.4	14.5	13.6	.70	5.8	10.9	41.7	39.5	38.1	1.6	14.0	21.6
			VVSF-18-40	VVSG-18-40	19.5	18.8	18.0	.75	6.7	12.4						
			VVSF-22-40	VVSG-22-40	23.0	22.2	21.3	.80	8.1	14.9						
			VVSF-28-40	VVSG-28-40	29.9	28.9	27.8	1.00	9.7	18.8						
			VVSF-36-40	VVSG-36-40	37.9	36.5	35.0	1.20	13.5	24.1						
			VVSF-14-48	VVSG-14-48	15.4	14.5	13.6	.70	5.8	10.9						
	flange mounting	flange mounting	V-350-FT	V-350-FL	19.5	18.8	18.0	.75	6.7	12.4	48.5	46.8	45.7	2.0	16.5	25.1
			VVSF-22-48	VVSG-22-48	23.0	22.2	21.3	.80	8.1	14.9						
			V-353-FT	V-353-FL	29.9	28.9	27.8	1.00	9.7	18.8						
			V-356-FT	V-356-FL	37.9	36.5	35.0	1.20	13.5	24.1						
			VVSF-14-60	VVSG-14-60	15.4	14.5	13.6	.70	5.8	10.9						
			V-450-FT	V-450-FL	19.5	18.8	18.0	.75	6.7	12.4						
	flange mounting	flange mounting	VVSF-22-60	VVSG-22-60	23.0	22.2	21.3	.80	8.1	14.9	60.6	58.3	57.4	2.7	20.4	31.2
			V-453-FT	V-453-FL	29.9	28.9	27.8	1.00	9.7	18.8						
			V-456-FT	V-456-FL	37.9	36.5	35.0	1.20	13.5	24.1						

Maximum recommended drive speed.....1200 rpm