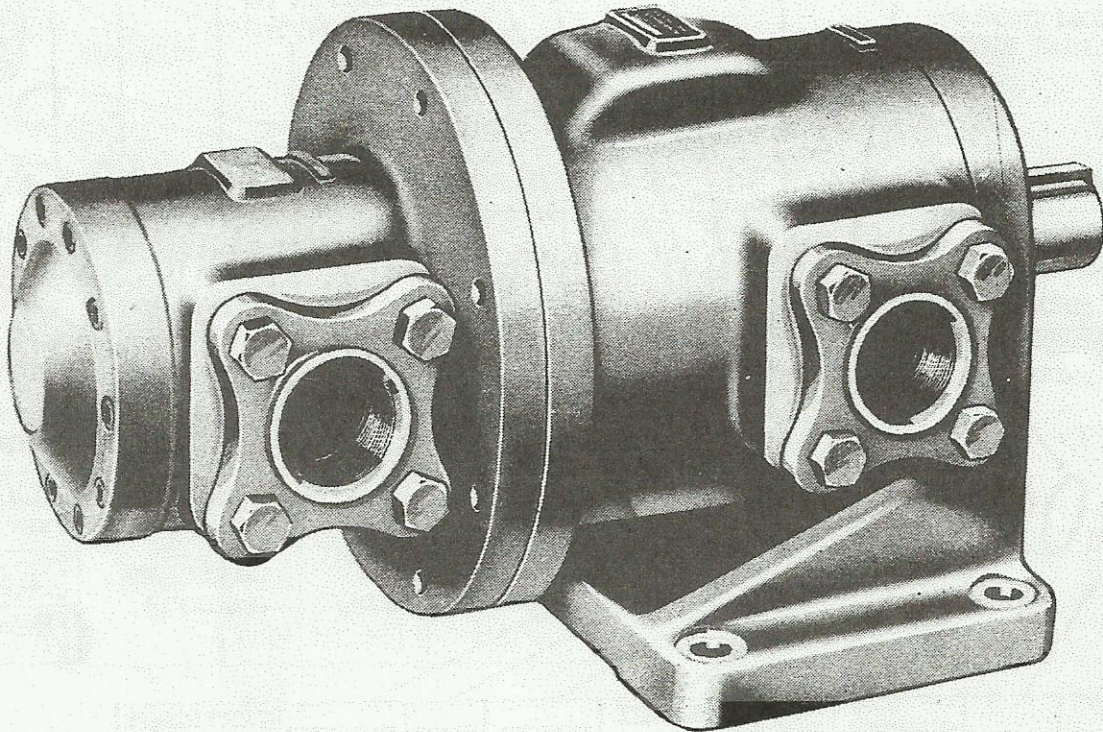


**VICKERS**

# Service Parts Information

Vane  
Type  
Double  
Pumps

VVS\*-\*\*-\*\*-(10)-(LH)  
V-35\*-F\*-(10)-(LH)  
V-45\*-F\*-(10)-(LH)



Vickers, Incorporated

1401 Crooks Road  
Troy, Michigan 48084

Revised 10-1-85

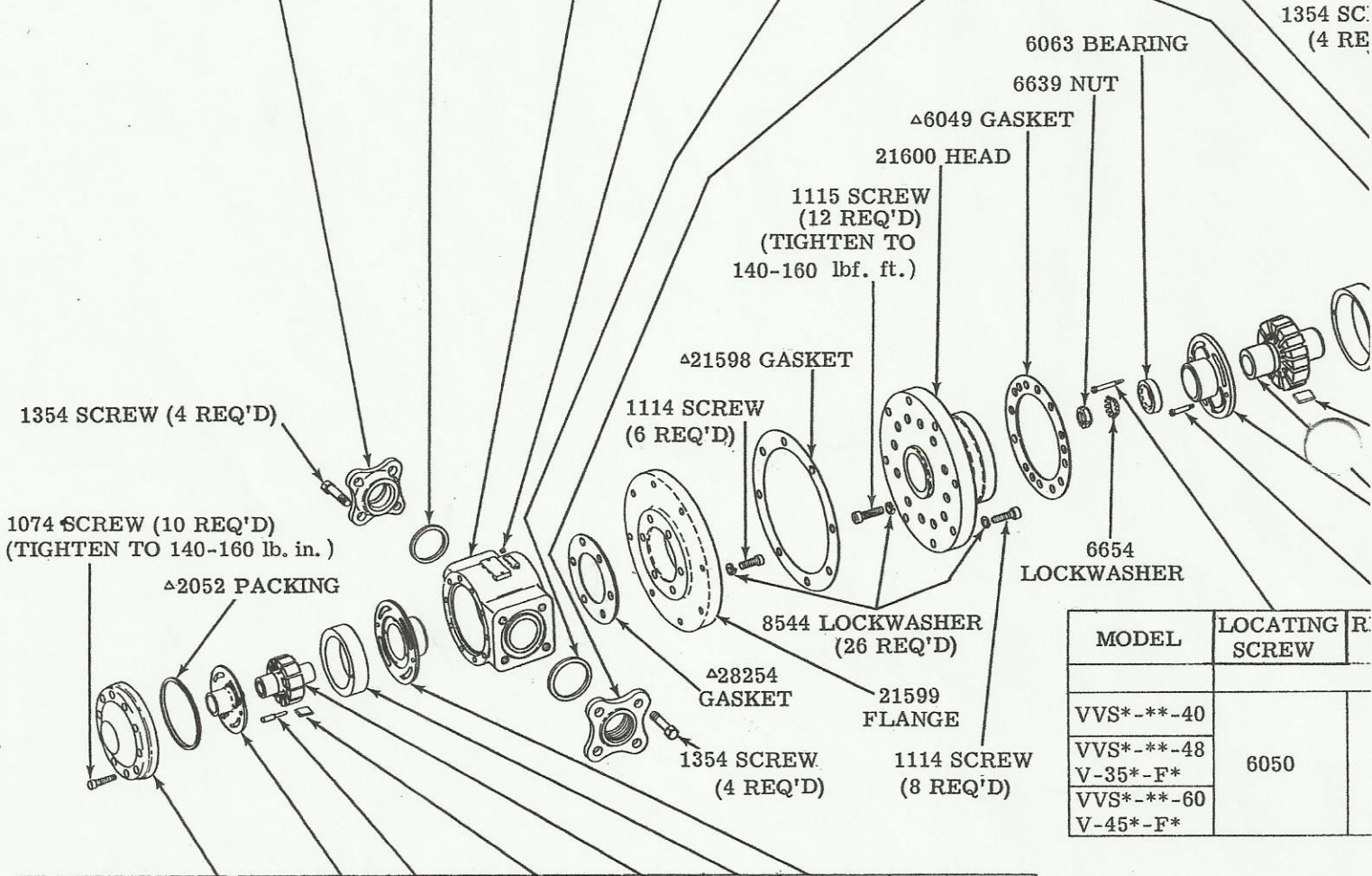
I-1697-S

*A Libbey-Owens-Ford Company*

# DOUBLE PUMPS VANE TYPE

## Intermediate Size Pump Coupled to Large Pump

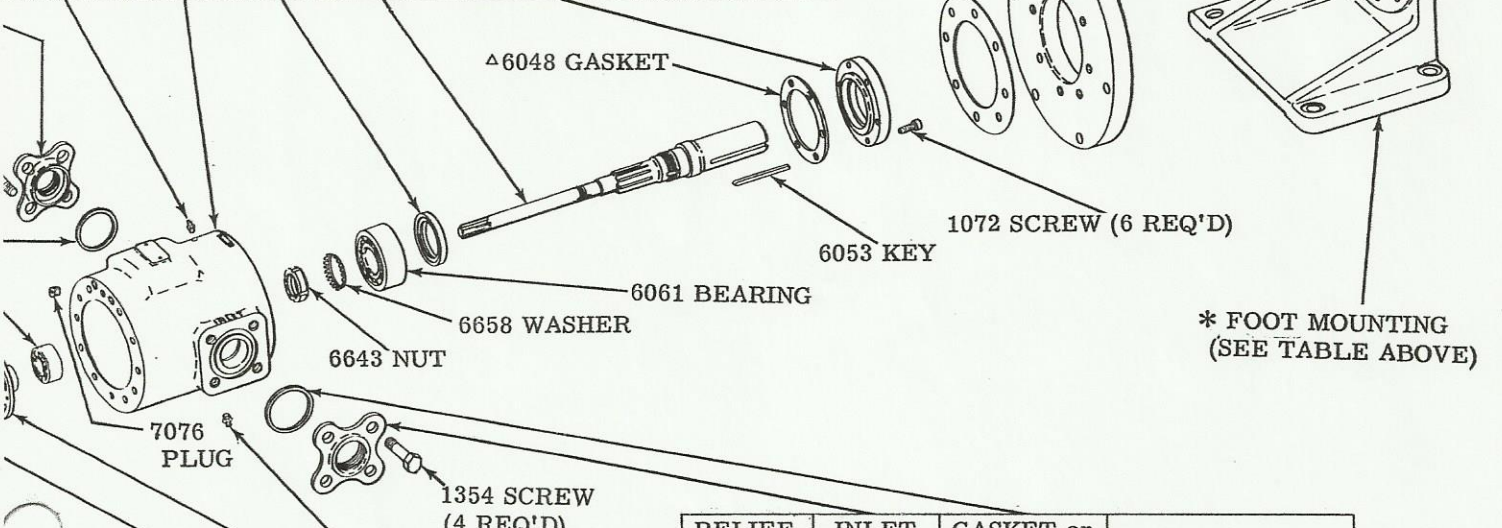
OUTLET FLANGE	△ GASKET or "O" RING	BODY	PLUG	△ GASKET or "O" RING	INLET FLANGE	△ SEAL	△ GASKET or "O" RING	OUTL FLAN
9227	27237 GASKET	1566-X	7074	27238 GASKET	20862	3694	27237 GASKET	92
184443	154034 "O" RING	184829	—	154038 "O" RING	184442	—	154034 "O" RING	1844



MODEL	HEAD	BUSHING	PIN	VANE KIT (12 VANES)	ROTOR	RING	BUSHING	CARTRIDGE KIT
		INCLUDED IN CARTRIDGE KIT						
VVS*-14-**-	5572	222046 (R. H.)	2051	912029	36172	24188	222045 (R. H.)	919093
V-350, V-450						2044		919095
VVS*-22-**-		222045 (L. H.)				15482	912084	
V-353, V-453						2347	912085	
V-356, V-456	1568-X		912028	34524	3246		912086	

MODELS	GASKET	MOUNTING	WASHER (8 REQ'D)	SCREW (8 REQ'D)
VVSE-*	—	* 6041	—	1153
V-***-FT	—	FOOT	—	
VVSG-*	32859	9323	8545	
V-***-FL		FLANGE		

GREASE FITTING	BODY	△ SEAL	SHAFT	COVER	DESIGN
3X-31645	6039	3695	21597	6047	BASIC (No Suffix)
—	183932	56013	184651	122089	-10

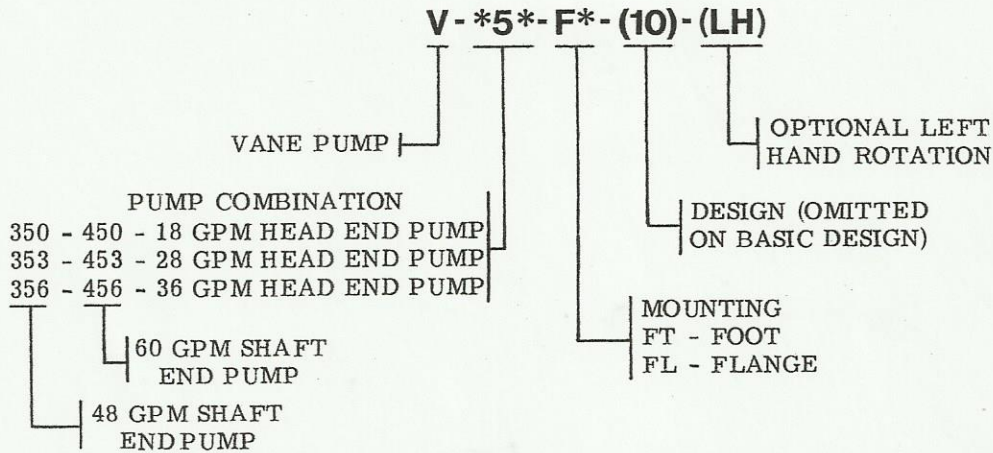
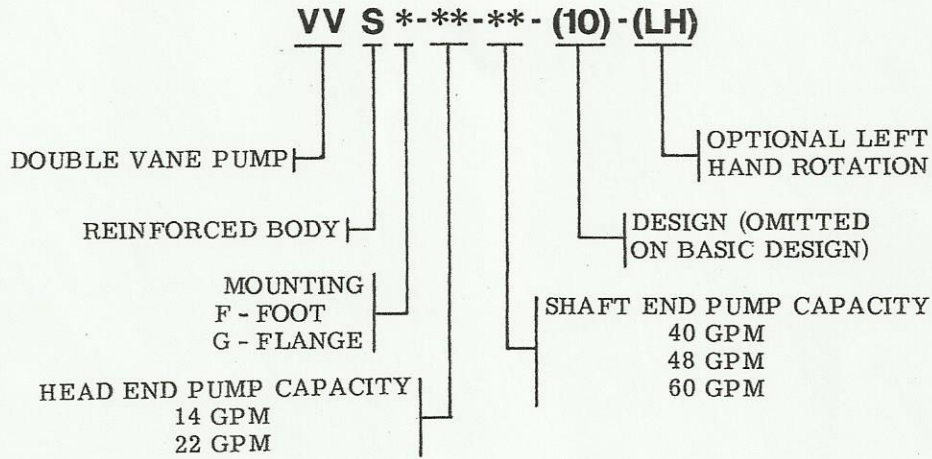


RELIEF FITTING	INLET FLANGE	GASKET or "O" RING	DESIGN
3X-30630	20862	27238 GASKET	BASIC (No Suffix)
—	184442	154038 GASKET	-10

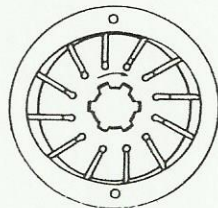
BEARING	BUSHING	ROTOR	VANE KIT (12 VANES)	RING	BUSHING	CARTRIDGE KIT
INCLUDED IN CARTRIDGE KIT						
1	6044 (R. H.)	6045	912025	60286	6043 (R. H.)	912172
	6043 (L. H.)			19900	6044 (L. H.)	912171
				6046		912170

MODEL	△ SEAL KIT
-DESIGN	912096
-10 DESIGN	919030
-10 DESIGN	F3 EQUIVALENT 919254

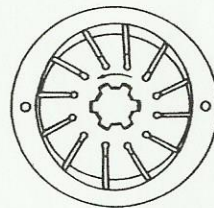
# MODEL CODE BREAKDOWN



## ROTOR & VANE ASSEMBLY VIEW FROM HEAD END



L. H. ROTATION



R. H. ROTATION

Assembly of the rotor and vanes is determined by the direction of pump shaft rotation. Vanes must be assembled so that the small beveled edges are trailing as shown.

For satisfactory service life of these components, use full flow filtration to provide fluid which meets ISO cleanliness code 18/15 or cleaner. Selections from Vickers OFP, OFR, and OFRS series are recommended.