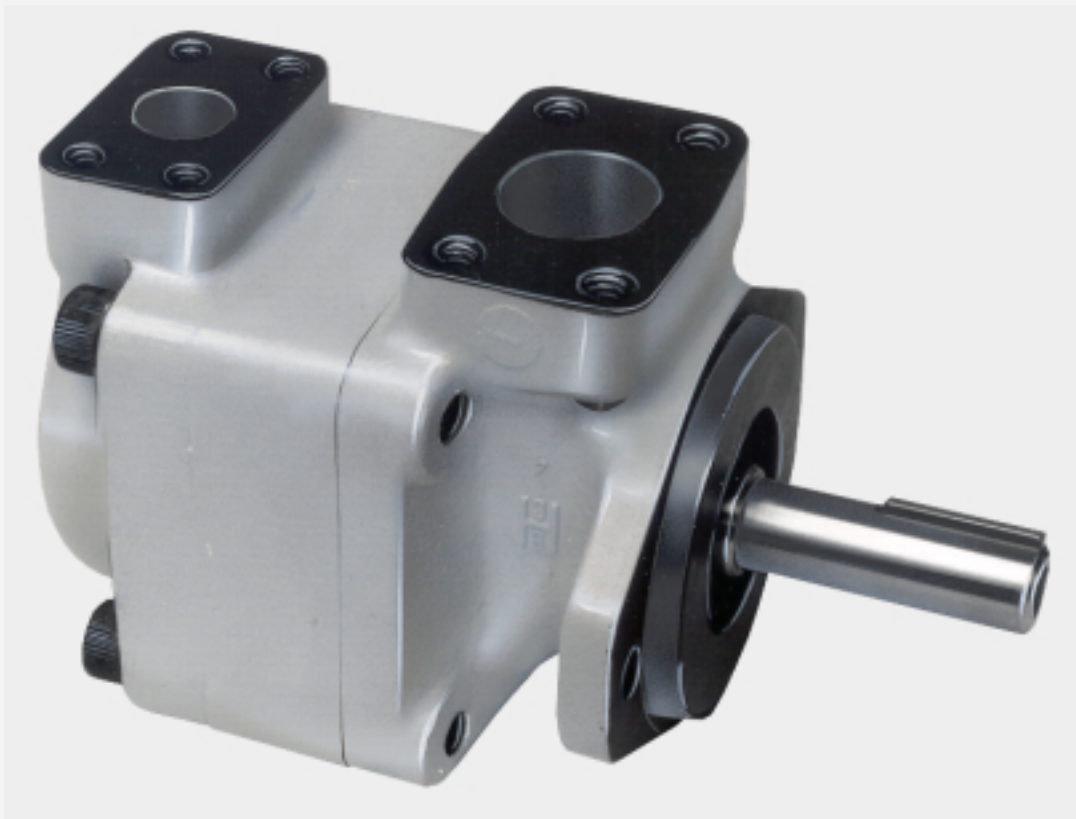


DENISON HYDRAULICS TB

vane-type single pump / Flügelzellen-Einzelpumpe
pompe simple à palettes / pompa semplice a palette
tipo bomba de paletas simple
service information



Publ. S1 - ML0520 - B

02 / 2001 / FB

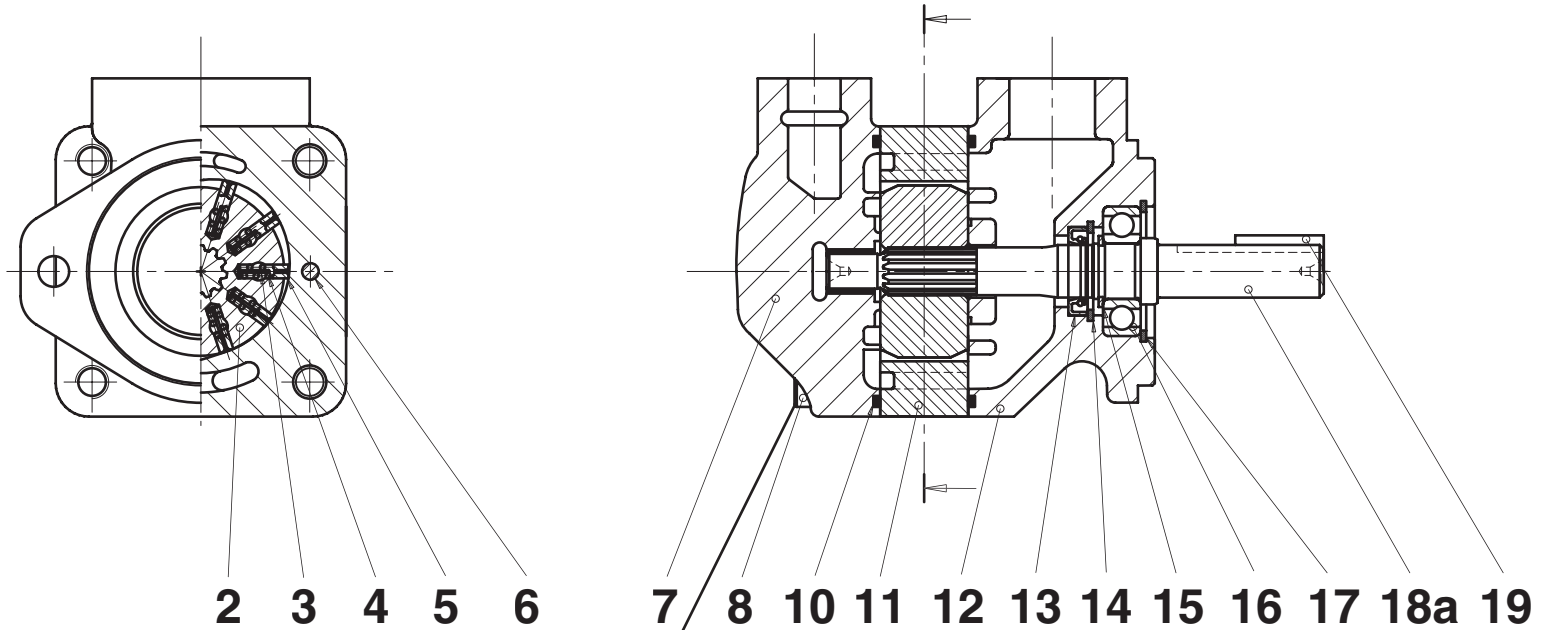
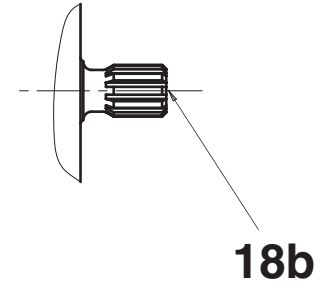
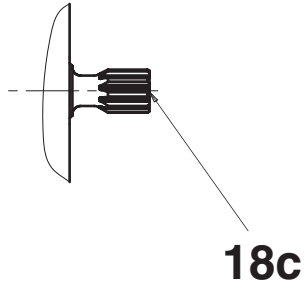
Replace : S1 - ML0520 - A

L25 - 10520 - 2

DENISON | Hydraulics

Recommended repair kits and assy's are bold printed
 Empfohlene Austausch - Baugruppen sind fett gedruckt
 Les pochettes de rechange recommandées sont imprimées en caractères gras
 I kit di ricambio consigliati sono indicati in grassetto
 Los juegos de reparacion recomendados y los conjuntos, estan en negrita

TB



Mounting torque : 110 N.m 81 ft.lbs
 Anziehdrehmoment : 110 N.m 81 ft.lbs
 Couple de serrage : 110 N.m 81 ft.lbs
 Coppia di serraggio : 110 N.m 81 ft.lbs
 Par de apriete : 110 N.m 81 ft.lbs

Item Pos. Ref. Pos. Pos.	Description <i>Descrizione</i>	Benennung <i>Descripcion</i>	Description		Part N° Teil Nr. Code N° Cod. N° Referencia	Qty Stück Qté Q.tà Cant.
2	Rotor insert ass'y <i>Insieme rotore</i>	Rotor <i>Conjunto rotor</i>	Rotor ass.	A	034.44872	1
3	Spring guide <i>Guida molla</i>	Federführung	Guide de ressort	A	034.44875	30
4	Spring vane <i>Molla</i>	Feder für Flügel <i>Muelle paleta</i>	Ressort de palette	A	034.44874	30
5	Vane <i>Paletta</i>	Flügel <i>Paleta</i>	Palette	A	034.44873	10
6	Dowel pin <i>Spina</i>	Zentrierstift <i>Pasador</i>	Goupille	A	324.21228	2
7	End cap ass'y (Flange 3/4" SAE) <i>Ins. coperchio (Flangia 3/4" SAE)</i>	Gehäuse baugruppe (Flansch 3/4" SAE) <i>Conjunto bocas (SAE 3/4")</i>	Chapeau arrière (bride 3/4" SAE)		S24.31214	1
	End cap ass'y (Port SAE 12) <i>Ins. coperchio (connessioni SAE 12)</i>	Gehäuse baugruppe (Anschlüsse SAE 12) <i>Conjunto bocas (bocas SAE 12)</i>	Chapeau arrière (orifice SAE 12)		S24.31215	1
8	Screw <i>Vite</i>	Schraube <i>Tornillo</i>	Vis		361.12304.3	4
10	Sq. section seal <i>Guarnizione</i>	Dichtring <i>Junta seccion cuadrada</i>	Joint section carrée	E	691.10153	2
11	Cam ring 003 <i>Anello camma 003</i>	Hubring 003 <i>Aro volumetrico 003</i>	Came 003	A	034.66825	1
	Cam ring 004 <i>Anello camma 004</i>	Hubring 004 <i>Aro volumetrico 004</i>	Came 004	A	034.66632	1
	Cam ring 005 <i>Anello camma 005</i>	Hubring 005 <i>Aro volumetrico 005</i>	Came 005	A	034.66820	1
	Cam ring 006 <i>Anello camma 006</i>	Hubring 006 <i>Aro volumetrico 006</i>	Came 006	A	034.66633	1
	Cam ring 008 <i>Anello camma 008</i>	Hubring 008 <i>Aro volumetrico 008</i>	Came 008	A	034.66642	1
	Cam ring 009 <i>Anello camma 009</i>	Hubring 009 <i>Aro volumetrico 009</i>	Came 009	A	034.66634	1
	Cam ring 011 <i>Anello camma 011</i>	Hubring 011 <i>Aro volumetrico 011</i>	Came 011	A	034.66643	1
	Cam ring 012 <i>Anello camma 012</i>	Hubring 012 <i>Aro volumetrico 012</i>	Came 012	A	034.66635	1
12	Mounting cap (Flange 1"1/4 SAE) <i>Coperchio (flangia 1"1/4 SAE)</i>	Deckel (Flansch 1"1/4 SAE) <i>Tapa de montaje (SAE 1"1/4)</i>	Chapeau de montage (bride 1"1/4 SAE)		034.66628	1
	Mounting cap (Port SAE 20) <i>Coperchio (connessioni SAE 20)</i>	Deckel (Anschlüsse SAE 20) <i>Tapa de montaje (bocas SAE 20)</i>	Chapeau de montage (orifice SAE 20)		034.66629	1
	Mounting cap (Port 1"1/4 NPTF) <i>Coperchio (connessioni 1"1/4 NPTF)</i>	Deckel (Anschlüsse 1"1/4 NPTF) <i>Tapa de montaje (bocas 1"1/4 NPTF)</i>	Chapeau de montage (orifice 1"1/4 NPTF)		034.66637	1
13	Shaft seal (S1 - 0,7 bar) <i>Paraolio (S1 - 0,7 bar)</i>	Simmerring (S1 - 0,7 bar) <i>Retén eje (S1 - 0,7 bar)</i>	Joint d'arbre (S1 - 0,7 bar)	E	620.00017.3	1
	Shaft seal (S5 - 0,7 bar) <i>Paraolio (S5 - 0,7 bar)</i>	Simmerring (S5 - 0,7 bar) <i>Retén eje (S5 - 0,7 bar)</i>	Joint d'arbre (S5 - 0,7 bar)	E	620.00021.3	1

Item Pos. Ref. Pos.	Description <i>Descrizione</i>	Benennung <i>Descripcion</i>	Description		Part N° Teil Nr. Code N° Cod. N° Referencia	Qty Stück Qté Q.tà Cant.
14	Retaining ring <i>Anello elastico</i>	Sicherungsring <i>Aro retencion</i>	Circlips		356.30125	1
15	Retaining ring <i>Anello elastico</i>	Sicherungsring <i>Aro retencion</i>	Circlips	BCD	356.31078	1
16	Ball bearing <i>Cuscinetto a sfere</i>	Kugellager <i>Cojinete de bolas</i>	Roulement à billes	BCD	230.82149	1
17	Retaining ring <i>Anello elastico</i>	Sicherungsring <i>Aro retencion</i>	Circlips		356.30185	1
18a	Shaft keyed (code 1) <i>Albero a chiavetta (codice 1)</i>	Paßdederwelle (Typ 1) <i>Eje chaveteado (codigo 1)</i>	Arbre à clavette (code 1)	B	034.66636	1
18b	Shaft splined (code 3) (special) <i>Albero a scanalato (codice 3) (special)</i>	Vielkeilwelle (Typ 3) (special) <i>Eje estriado (codigo 3) (special)</i>	Arbre à cannelures (code 3) (special)	C	034.66640	1
18c	Shaft splined (code 4) <i>Albero a scanalato (codice 4)</i>	Vielkeilwelle (Typ 4) <i>Eje estriado (codigo 4)</i>	Arbre à cannelures (code 4)	D	034.66693	1
19	Key (code 1) <i>Chiavetta (codice 1)</i>	Paßfeder (Typ 1) <i>Chaveta (codigo1)</i>	Clavette (code 1)	B	034.49622	1
	REPAIR KIT KIT DI RICAMBIO	AUSTAUSCH-BAUGRUPPEN CONJUNTO REPARACION	POCHETTES RECHANGES			
A	Kit 003 <i>Cartuccia 003</i>	Pumpeneinsatz 003 <i>Juego 003</i>	Cartouche 003		S24.45608	1
A	Kit 004 <i>Cartuccia 004</i>	Pumpeneinsatz 004 <i>Juego 004</i>	Cartouche 004		S24.31219	1
A	Kit 005 <i>Cartuccia 005</i>	Pumpeneinsatz 005 <i>Juego 005</i>	Cartouche 005		S24.45096	1
A	Kit 006 <i>Cartuccia 006</i>	Pumpeneinsatz 006 <i>Juego 006</i>	Cartouche 006		S24.31220	1
A	Kit 008 <i>Cartuccia 008</i>	Pumpeneinsatz 008 <i>Juego 008</i>	Cartouche 008		S24.31385	1
A	Kit 009 <i>Cartuccia 009</i>	Pumpeneinsatz 009 <i>Juego 009</i>	Cartouche 009		S24.31221	1
A	Kit 011 <i>Cartuccia 011</i>	Pumpeneinsatz 011 <i>Juego 011</i>	Cartouche 011		S24.31386	1
A	Kit 012 <i>Cartuccia 012</i>	Pumpeneinsatz 012 <i>Juego 012</i>	Cartouche 012		S24.31222	1
B	Shaft and key ass'y (code 1) <i>Ins. albero (codice 1)</i>	Baugruppe (Welle mit Paßfeder) (Typ 1) <i>Conjunto eje chaveta (codigo 1)</i>	Arbre et clavette ass. (code 1)		S24.31223	1
C	Shaft and bearing ass'y (code 3) <i>Ins. albero (codice 3)</i>	Baugruppe (Welle u. Lager) (Typ 3) <i>Conjunto eje cojinete (codigo 3)</i>	Arbre et roulement ass. (code 3)		S24.31382	1
D	Shaft and bearing ass'y (code 4) <i>Ins. albero (codice 4)</i>	Baugruppe (Welle u. Lager) (Typ 4) <i>Conjunto eje cojinete (codigo 4)</i>	Arbre et roulement ass. (code 4)		S24.33566	1
E	Seal kit (S1 - 0,7 bar) <i>Serie guarnizioni (S1 - 0,7 bar)</i>	Dichtringsatz (S1 - 0,7 bar) <i>Juego de juntas (S1 - 0,7 bar)</i>	Pochette de joints (S1 - 0,7 bar)		S24.31234.0	1
E	Seal kit (S5 - 0,7 bar) <i>Serie guarnizioni (S5 - 0,7 bar)</i>	Dichtringsatz (S5 - 0,7 bar) <i>Juego de juntas (S5 - 0,7 bar)</i>	Pochette de joints (S5 - 0,7 bar)		S24.31234.5	1

Model Code

Model number :

Series _____

Cam ring _____

(Volumetric displacement) (ml/rev.)

003 = 8,8
004 = 12,8
005 = 16,0
006 = 20,7
008 = 26,1
009 = 31,5
011 = 35,6
012 = 39,7

Type of shaft _____

1 = keyed (non SAE)
3 = splined (special)
4 = splined (SAE A)

Direction of rotation _____

R = Clockwise
L = Counter-clockwise

Porting combination _____

00 = standard

Design letter _____

Seal class _____

1 = S1 - BUNA N
5 = S5 - VITON

Port connections _____

00 = S = 1"5/8 (SAE 20)
P = 1"1/16 (SAE 12)
01 = S = 1"1/4 } SAE J518c (61)
P = 3/4" } ISO 6162 (1)
03 = S = 1"1/4 (NPTF)
P = 1"1/16 (SAE 12) } **Standard**
Metric thread
M1 = S = 1"1/4 SAE J518c (61)
P = 3/4" ISO 6162 (1)

OX = S = 1"1/4" (NPTF)
P = 3/4" (NPTF)
OW = S = 1"1/4 (SAE J518 c)
P = 1"1/16 (SAE 12) } **Special**

Modifications _____

Typenschlüssel

Typenbezeichnung :

Baureihe _____

Hubring _____

(Geometrisches Fördervolumen) (cm³/U)

003 = 8,8
004 = 12,8
005 = 16,0
006 = 20,7
008 = 26,1
009 = 31,5
011 = 35,6
012 = 39,7

Art der Welle _____

1 = Paßfederwelle (nicht SAE)
3 = Vielkeilwelle (special)
4 = Vielkeilwelle (SAE A)

Drehrichtung _____

R = Rechtslauf
L = Linkslauf

Lage der Anschlüsse _____

00 = standard

Ausführungsbuchstabe _____

Dichtungsklasse _____

1 = S1 - BUNA N
5 = S5 - VITON

Anschlüsse _____

00 = S = 1"5/8 (SAE 20)
P = 1"1/16 (SAE 12)
01 = S = 1"1/4 } SAE J518c (61)
P = 3/4" } ISO 6162 (1)
03 = S = 1"1/4 (NPTF)
P = 1"1/16 (SAE 12) } **Standard**
Metric thread
M1 = S = 1"1/4 SAE J518c (61)
P = 3/4" ISO 6162 (1)

OX = S = 1"1/4" (NPTF)
P = 3/4" (NPTF)
OW = S = 1"1/4 (SAE J518 c)
P = 1"1/16 (SAE 12) } **Special**

Modifikationen _____

Designation - type

Numéro du modèle :

Série _____

Camé _____

(Cylindrée théorique) (cm³/tr)

003 = 8,8
004 = 12,8
005 = 16,0
006 = 20,7
008 = 26,1
009 = 31,5
011 = 35,6
012 = 39,7

Type d'arbre _____

1 = à clavette (non SAE)
3 = à cannelures (special)
4 = à cannelures (SAE A)

Sens de rotation _____

R = à droite
L = à gauche

Combinaison des orifices _____

00 = standard

Conception _____

Classe de joint _____

1 = S1 - BUNA N
5 = S5 - VITON

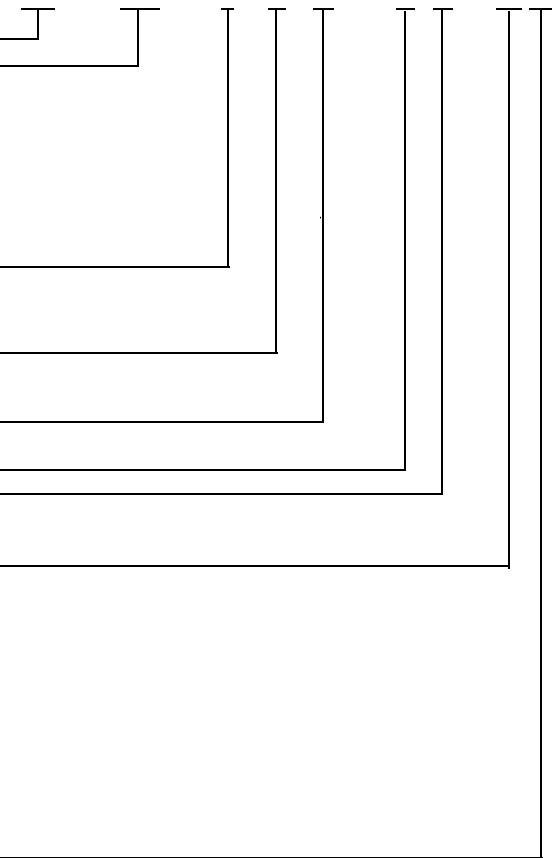
Orifices _____

00 = S = 1"5/8 (SAE 20)
P = 1"1/16 (SAE 12)
01 = S = 1"1/4 } SAE J518c (61)
P = 3/4" } ISO 6162 (1)
03 = S = 1"1/4 (NPTF)
P = 1"1/16 (SAE 12) } **Standard**
Metric thread
M1 = S = 1"1/4 SAE J518c (61)
P = 3/4" ISO 6162 (1)

OX = S = 1"1/4" (NPTF)
P = 3/4" (NPTF)
OW = S = 1"1/4 (SAE J518 c)
P = 1"1/16 (SAE 12) } **Special**

Modifications _____

TB - 006 - 1 R 00 - A 1 - 00 ..



Designazione

Clave de designación

Sigla :

Referencia modelo :

TB - 006 - 1 R 00 - A 1 - 00 ..

Serie _____

Serie _____

Tipo di cartuccia _____

Aro volumetrico _____

(Cilindrata) (ml/giro)

(Cilindrada) (ml/rev)

003 = 8,8
004 = 12,8
005 = 16,0
006 = 20,7
008 = 26,1
009 = 31,5
011 = 35,6
012 = 39,7

003 = 8,8
004 = 12,8
005 = 16,0
006 = 20,7
008 = 26,1
009 = 31,5
011 = 35,6
012 = 39,7

Tipo di albero _____

Tipo de eje _____

1 = a chiave (no SAE)
3 = scanalato (special)
4 = scanalato (SAE A)

1 = chaveteado (no SAE)
3 = estriado (special)
4 = estriado (SAE A)

Senso di rotazione _____

Sentido de giro _____

R =orario
L = Antiorario

R = Derecha
L = Izquierda

Orientamento delle bocche _____

Posición de bocas _____

00 = standard

00 = estándar

Disegno _____

Letra de diseño _____

Tipo di guarnizioni _____

Clase de juntas _____

1 = S1 - BUNA N
5 = S5 - VITON

1 = S1 - BUNA N
5 = S5 - VITON

Dimensioni delle bocche _____

Opciones de las bocas _____

00 = S = 1"5/8 (SAE 20)
P = 1"1/16 (SAE 12)
01 = S = 1"1/4 } SAE J518c (61)
P = 3/4" } ISO 6162 (1) } Standard
03 = S = 1"1/4 (NPTF)
P = 1"1/16 (SAE 12)

00 = S = 1"5/8 (SAE 20)
P = 1"1/16 (SAE 12)
01 = S = 1"1/4 } SAE J518c (61)
P = 3/4" } ISO 6162 (1) } Standard
03 = S = 1"1/4 (NPTF)
P = 1"1/16 (SAE 12)

Metric thread
M1 = S = 1"1/4 SAE J518c (61)
P = 3/4" ISO 6162 (1)

Metric thread
M1 = S = 1"1/4 SAE J518c (61)
P = 3/4" ISO 6162 (1)

OX = S = 1"1/4" (NPTF)
P = 3/4" (NPTF)
OW = S = 1"1/4 (SAE J518 c)
P = 1"1/16 (SAE 12) } Special

OX = S = 1"1/4" (NPTF)
P = 3/4" (NPTF)
OW = S = 1"1/4 (SAE J518 c)
P = 1"1/16 (SAE 12) } Special

Modifiche _____

Modificaciones _____