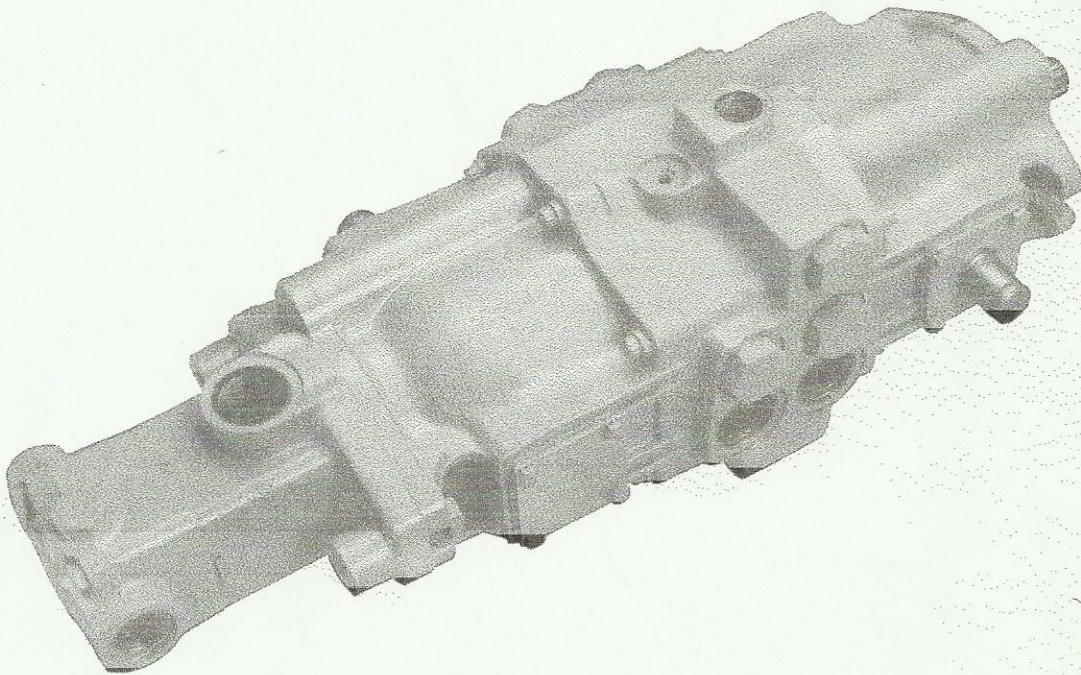




# Service Parts Information

Double  
Transmission  
Pump  
Package

TA1919V1010(P)-21



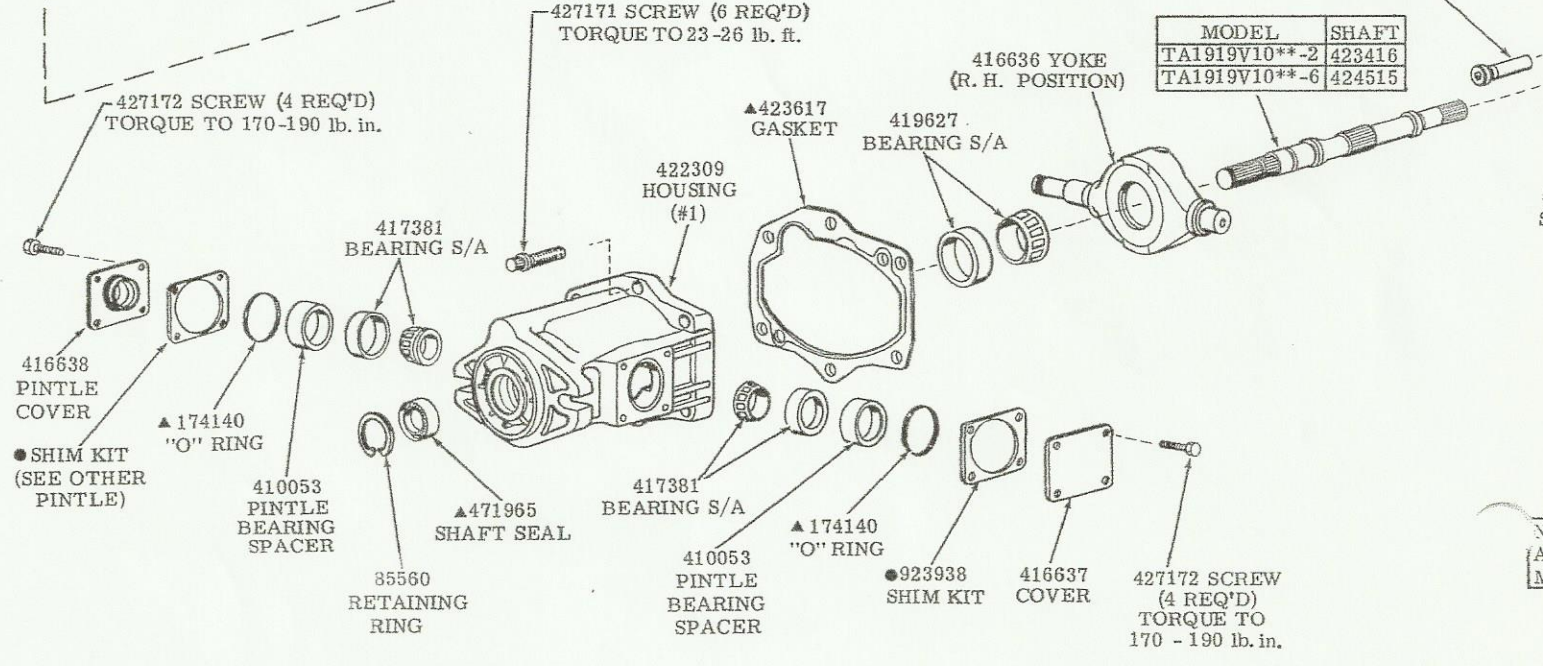
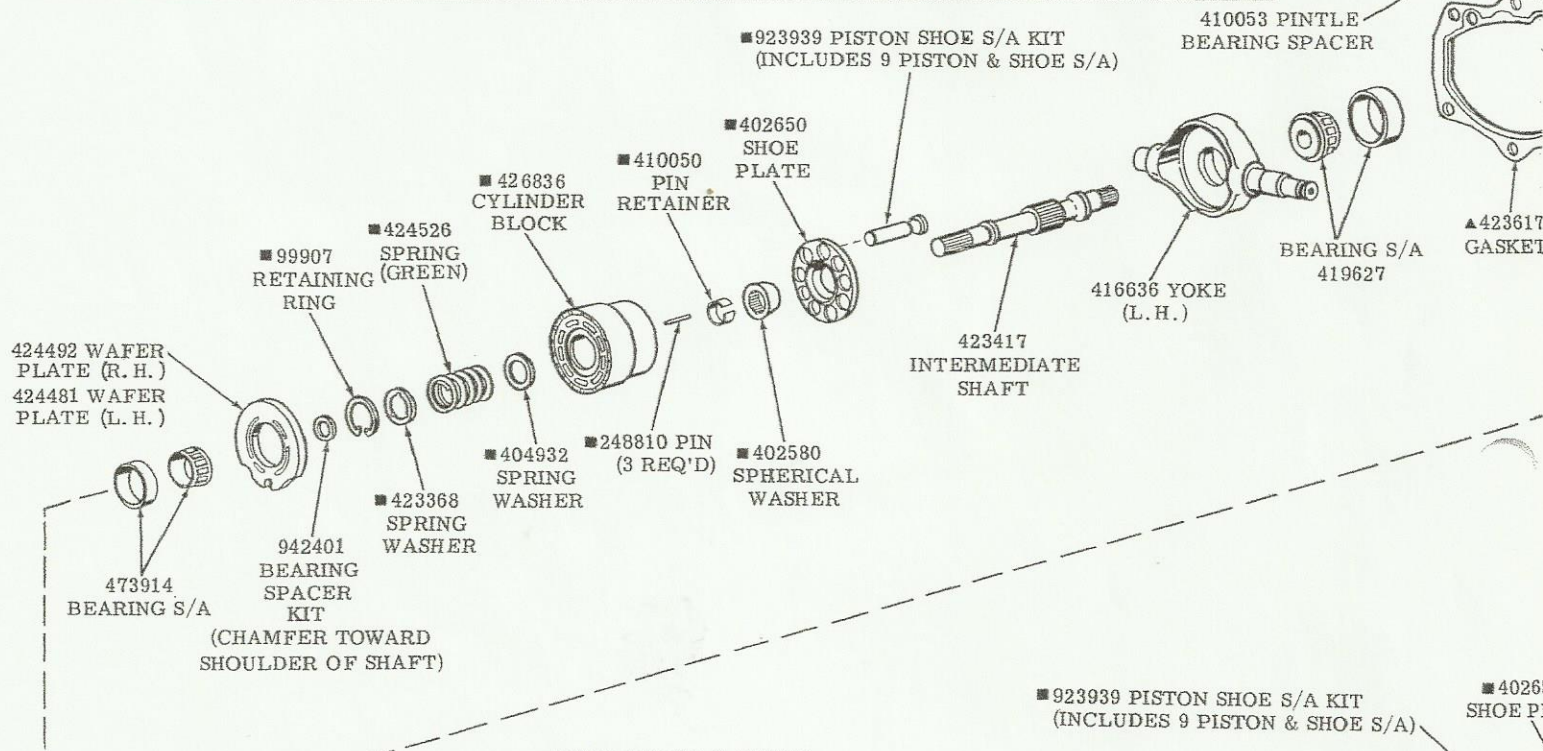
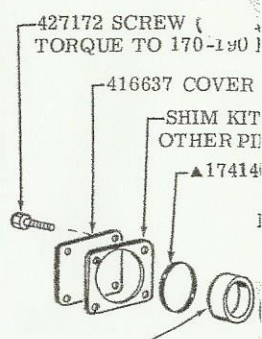
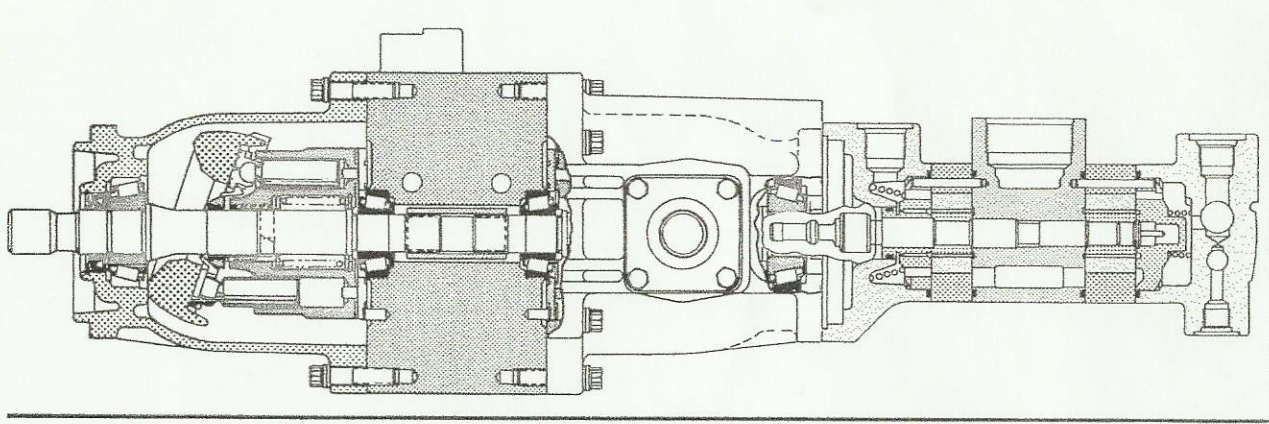
Vickers, Incorporated

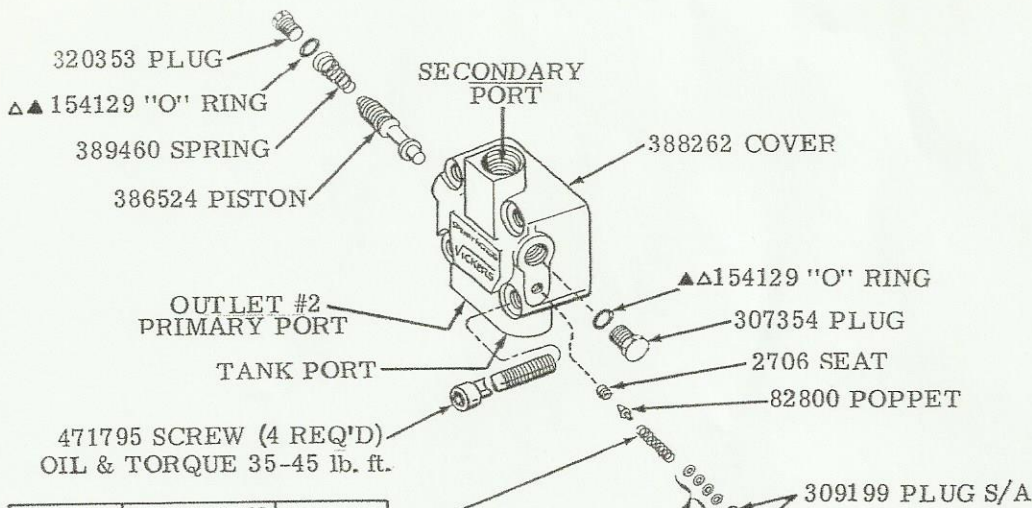
1401 Crooks Road  
Troy, Michigan 48084

Revised 12-1-87

M-2848-S



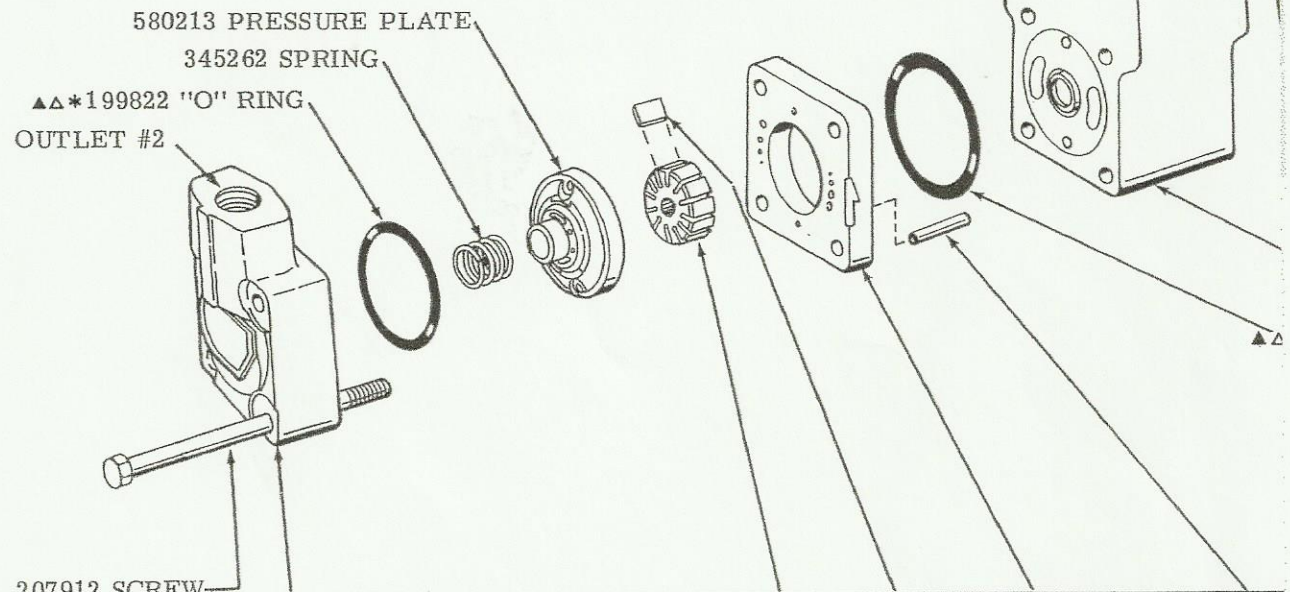




SEE MODEL CODE	PRESSURE SETTING (P. S. I.)	SPRING
A	250	252886
B	500	2280
C	750	
D	1000	2282
E	1250	
F	1500	2281
G	1750	
H	2000	
J	2250	
K	2500	

NOTE  
USE PRIMARY PORT  
FOR COVER POSITION

ROTOR
INCLU
580224
580215



MODEL	ROTOR	VANE KIT (12 VANES)	RING	CART. KIT	PIN (2 REQ)
	INCLUDED IN CART KIT				
TDV1010-**-01-**-10	317681	923499	317674	923471	23104
TDV1010-**-02-**-10			317675	923470	
TDV1010-**-03-**-10			317676	923496	
TDV1010-**-04-**-10	351247	923500	317677	923469	2456
TDV1010-**-05-**-10			317678	923468	
TDV1010-**-06-**-10	357286	923501	355641	923497	16662
TDV1010-**-07-**-10			331813	923498	



# MODEL CODE BREAKDOWN

TA1919 V1010 \*\* - 2\*\* - \*\* - \*\* \* \* \* \* \* - 21

DOUBLE TRANSMISSION  
PUMP (EACH RATED @  
19 USGPM @ 1800 RPM

AUXILIARY  
VANE PUMP

VANE PUMP COVER  
P - PRIORITY  
OMITTED - STD

ROTATION (VIEWED  
FROM SHAFT END)  
R - RIGHT HAND (CW)  
L - LEFT HAND (CCW)

INPUT SHAFT  
2 - SAE B - B  
SPLINE

CONTROL PINTLE LOCATION VIEWED  
FROM SHAFT END W/DRAIN PORT UP

CODE	PUMP #1	PUMP #2
A	RH SIDE	RH SIDE
B	LH SIDE	RH SIDE
C	RH SIDE	LH SIDE
D	LH SIDE	LH SIDE

MAIN RELIEF VALVE  
R - RELIEF VALVE  
O - NO RELIEF VALVE

SHAFT END VANE PUMP RING  
CAPACITY AT 1200 RPM  
04 - 4 USGPM 06 - 6 USGPM  
05 - 5 USGPM 07 - 7 USGPM

DESIGN

COVER END VANE PUMP  
RELIEF VALVE SETTING  
(\* "P" COVER ONLY)

A - 250 PSI G - 1750 PSI  
B - 500 PSI H - 2000 PSI  
C - 750 PSI J - 2250 PSI  
D - 1000 PSI K - 2500 PSI  
E - 1250 PSI  
F - 1500 PSI

FLOW RATE THROUGH  
ORIFICE IN "P" COVER  
1, 2, 3, 4, 5, 6, or 7 USGPM

VANE PUMP OUTLET PORT #2  
(VIEWED FROM COVER END)

A - OPPOSITE INLET  
B - 90° CCW FROM INLET  
C - IN-LINE WITH INLET  
D - 90° CW FROM INLET

VANE PUMP INLET PORT  
VIEWED FROM COVER END

A - OPPOSITE OUTLET 1  
B - 90° CCW FROM OUTLET 1  
C - IN LINE WITH OUTLET 1  
D - 90° CW FROM OUTLET 1

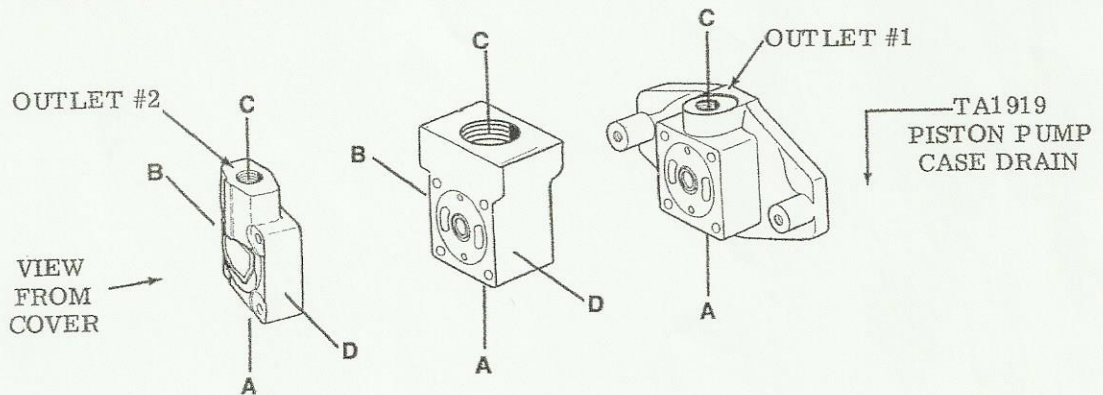
VANE PUMP OUTLET PORT #1  
POSITION VIEWED FROM COVER END

A - IN LINE WITH CASE DRAIN  
C - 180° OPPOSITE CASE DRAIN

COVER END VANE PUMP RING

CAPACITY AT 1200 RPM

01 - 1 USGPM \*05 - 5 USGPM  
02 - 2 USGPM 06 - 6 USGPM  
03 - 3 USGPM 07 - 7 USGPM  
\*04 - 4 USGPM  
\* "P" COVER



For satisfactory service life of these components, use full flow filtration to provide fluid which meets ISO cleanliness code 19/15 or cleaner. Selections from Vickers OFP, OFR, and OFRS series are recommended.