

Hydraulic Pumps - Service Information T7D / T7DS

Denison Vane - Flügelzellen - Palettes - Palette - Paletas

aerospace
climate control
electromechanical
filtration
fluid & gas handling
hydraulics
pneumatics
process control
sealing & shielding

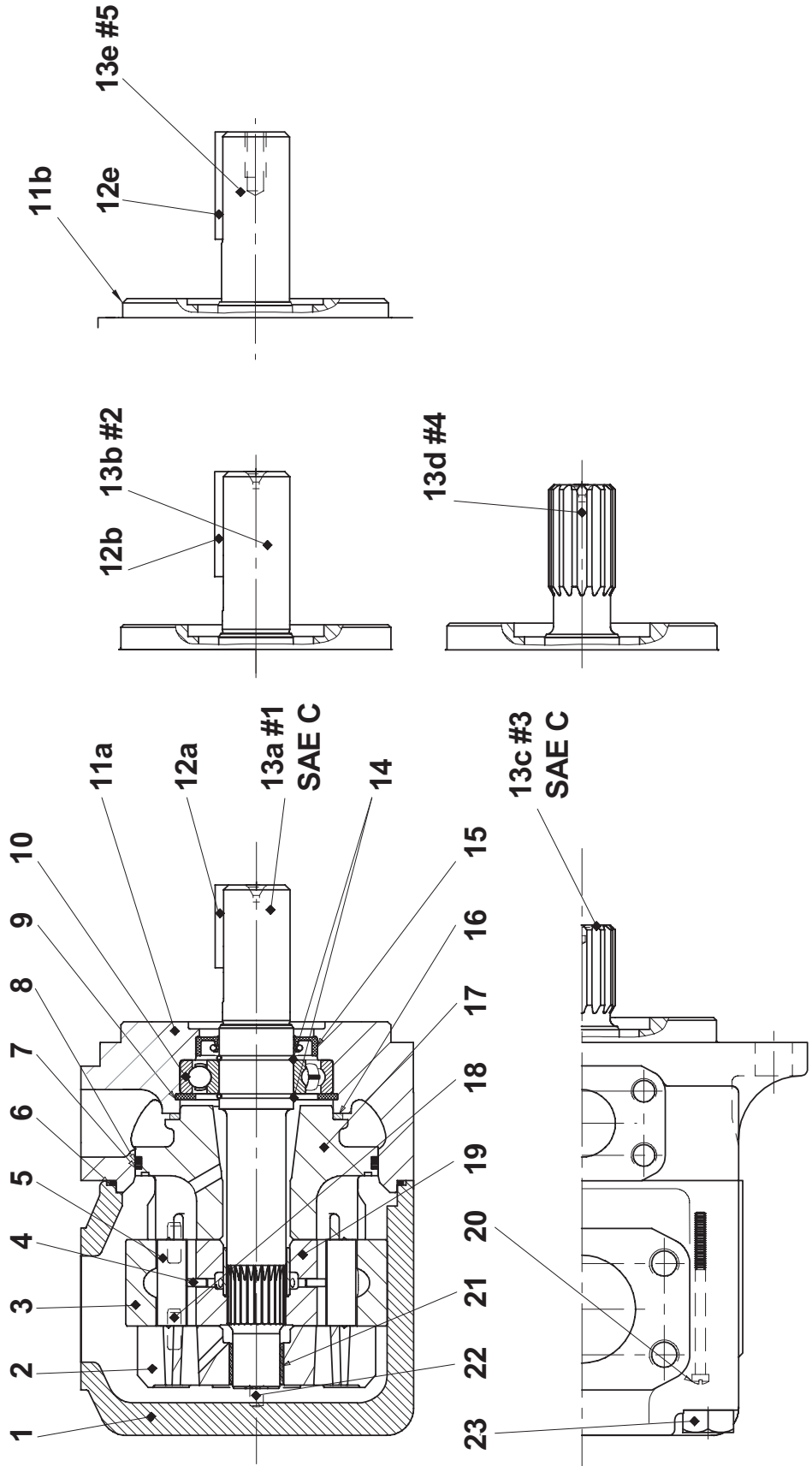


ENGINEERING YOUR SUCCESS.

T7D - T7DS

Item - Pos. - Réf. - Pos.	23
Mounting torque	187 Nm
Anziehdrehmoment	138 ft.lbs
Couple de serrage	
Coppia di serraggio	
Par de apriete	

Recommended repair kits and assy's are bold printed
 Empfohlene Austausch - Baugruppen sind fett gedruckt
 Les pochettes de rechange recommandées sont imprimées en caractères gras
 I kit di ricambio consigliati sono indicati in grassetto
 Los juegos de reparacion recomendados y los conjuntos, estan en negrita



Spare part list

Hydraulic Pumps

Series T7D*, Denison Vane Pumps

Item Pos. Pos.	Description Descrizione	Benennung Descrizione	Description	Part N° Teil Nr. Code N° Referencia T7D	Part N° Teil Nr. Code N° Referencia T7DS	Qty. Stück Qté Qtà Cant.
1	Housing (metric) Corpo (metrico)	Gehäuse (Metrisch) Cuerpo (metrica)	Carter (métrique)	034-66767-0		1
	Housing (UNC) Corpo (UNC)	Gehäuse (UNC) Cuerpo (UNC)	Carter (UNC)	034-47917-0		1
2	Port plate-rear (Except cam rings 045 - 050)	Steuertafel (außer Hubringe 045 - 050)	Plaque arrière (Excepté cames 045 - 050)	034-67478-0	AH	1
	Platto distributore post. (Eccetto anello camma 045 - 050)	Plato distribuidor trasero (Excepto los aros 045 - 050)	Plaque arr. rot. gauche (Seulement cames 045 - 050)	034-67114-0	AI	1
	Port plate-rear C.C.W. (Only cam rings 045 - 050)	Steuertafel Linkslauf (nur Hubringe 045 - 050)	Plaque arr. rot. droite (Seulement cames 045 - 050)	034-67112-0	AJ	1
	Platto distributore post. antioraria (Solo anello camma 045-050)	Plato distribuidor trasero giro I (Solo los aros 045 - 050)	Came 014	034-67469-0	A	1
	Port plate-rear C.W. (Only cam rings 045 - 050)	Steuertafel Rechtslauf (nur Hubringe 045 - 050)	Hubring 014	034-67470-0	A	1
	Platto distributore post. oraria (Solo anello camma 045-050)	Plato distribuidor trasero giro D (Solo los aros 045 - 050)	Aro volumetrico 014	034-67159-0	A	1
	Cam ring 014	Anello camma 014	Hubring 017	034-67482-0	A	1
	Cam ring 017	Anello camma 017	Aro volumetrico 017	034-67158-0	A	1
	Cam ring 020	Anello camma 020	Hubring 020	034-67157-0	A	1
	Cam ring 022	Anello camma 022	Hubring 022	034-67156-0	A	1
3	Cam ring 024	Anello camma 024	Came 020	034-67155-0	A	1
	Cam ring 028	Anello camma 028	Came 022	034-67154-0	A	1
	Cam ring 031	Anello camma 031	Came 024	034-67153-0	A	1
	Cam ring 035	Anello camma 035	Came 028	034-59131-0	A	1
	Cam ring 038	Anello camma 038	Hubring 028	034-66737-0	A	1
	Cam ring 042	Anello camma 042	Aro volumetrico 028	034-59098-0	A	12
	Cam ring 045	Anello camma 045	Hubring 031	034-59130-0	A	10
	Cam ring 050	Anello camma 050	Aro volumetrico 031	034-67453-0	A	12
	Pin-vane holdout (Except cam rings 045 - 050)	Pistone di mantenimento (Eccetto anello camma 045-050)	Hubring 035	034-67453-0	A	10
	Pistoncino di mantenimento (Solo anello camma 045-050)	Pistone de mantenimiento (Solo anillo camma 045-050)	Hubring 038	034-67453-0	A	10
4	Vane (Except cam rings 045 - 050)	Paletta (Eccetto anello camma 045 - 050)	Came 038	034-67453-0	A	1
	Vane (Only cam rings 045 - 050)	Paletta (Solo los aros 045 - 050)	Came 042	034-67453-0	A	1
	Paletta (Eccetto anello camma 045 - 050)	Paleta (Excepto los aros 045 - 050)	Came 045	034-67453-0	A	1
	Vane (Only cam rings 045 - 050)	Paleta (Solo los aros 045 - 050)	Came 050	034-67453-0	A	1
	Paletta (Solo anello camma 045 - 050)	Paleta (Solo los aros 045 - 050)	Hubring 045	034-67453-0	A	1
	Sq. section seal	Guarnizione	Hubring 042	034-67453-0	A	1
	Back-up ring	Anello anti-estrusione	Aro volumetrico 045	034-67453-0	A	1
	Sq. section seal	Guarnizione	Hubring 050	034-67453-0	A	1
	Retaining ring	Anello elastico	Aro volumetrico 050	034-67453-0	A	1
	Joint section carrée	Joint section cuadrada	Stoßel (außer Hubringe 045 - 050)	034-67453-0	A	1
5	Joint section carrée	Joint section cuadrada	Poussoir de palette (Excepté cames 045 - 050)	034-67453-0	A	1
	Joint section carrée	Joint section cuadrada	Poussoir de palette (Seulement cames 045 - 050)	034-67453-0	A	1
	Joint section carrée	Joint section cuadrada	Palette (Excepté cames 045 - 050)	034-67453-0	A	1
	Joint section carrée	Joint section cuadrada	Palette (Seulement cames 045 - 050)	034-67453-0	A	1
	Joint section carrée	Joint section cuadrada	Flügel (außer Hubringe 045 - 050)	034-67453-0	A	1
	Joint section carrée	Joint section cuadrada	Paleta (Excepto los aros 045 - 050)	034-67453-0	A	1
	Joint section carrée	Joint section cuadrada	Flügel (nur Hubringe 045 - 050)	034-67453-0	A	1
	Joint section carrée	Joint section cuadrada	Paleta (Solo los aros 045 - 050)	034-67453-0	A	1
	Joint section carrée	Joint section cuadrada	Dichtring	034-67453-0	AB	1
	Joint section carrée	Joint section cuadrada	Junta seccion cuadrada	034-67453-0	AB	1
6	Joint section carrée	Joint section cuadrada	Bague anti-extrusion	034-67453-0	AB	1
	Joint section carrée	Joint section cuadrada	Joint section carrée	034-67453-0	AB	1
	Joint section carrée	Joint section cuadrada	Joint section carrée	034-67453-0	AB	1
	Joint section carrée	Joint section cuadrada	Joint section carrée	034-67453-0	AB	1
	Joint section carrée	Joint section cuadrada	Joint section carrée	034-67453-0	AB	1
	Joint section carrée	Joint section cuadrada	Joint section carrée	034-67453-0	AB	1
	Joint section carrée	Joint section cuadrada	Joint section carrée	034-67453-0	AB	1
	Joint section carrée	Joint section cuadrada	Joint section carrée	034-67453-0	AB	1
	Joint section carrée	Joint section cuadrada	Joint section carrée	034-67453-0	AB	1
	Joint section carrée	Joint section cuadrada	Joint section carrée	034-67453-0	AB	1
7	Joint section carrée	Joint section cuadrada	Joint section carrée	034-67453-0	AB	1
	Joint section carrée	Joint section cuadrada	Joint section carrée	034-67453-0	AB	1
	Joint section carrée	Joint section cuadrada	Joint section carrée	034-67453-0	AB	1
	Joint section carrée	Joint section cuadrada	Joint section carrée	034-67453-0	AB	1
	Joint section carrée	Joint section cuadrada	Joint section carrée	034-67453-0	AB	1
	Joint section carrée	Joint section cuadrada	Joint section carrée	034-67453-0	AB	1
	Joint section carrée	Joint section cuadrada	Joint section carrée	034-67453-0	AB	1
	Joint section carrée	Joint section cuadrada	Joint section carrée	034-67453-0	AB	1
	Joint section carrée	Joint section cuadrada	Joint section carrée	034-67453-0	AB	1
	Joint section carrée	Joint section cuadrada	Joint section carrée	034-67453-0	AB	1
8	Joint section carrée	Joint section cuadrada	Joint section carrée	034-67453-0	AB	1
	Joint section carrée	Joint section cuadrada	Joint section carrée	034-67453-0	AB	1
	Joint section carrée	Joint section cuadrada	Joint section carrée	034-67453-0	AB	1
	Joint section carrée	Joint section cuadrada	Joint section carrée	034-67453-0	AB	1
	Joint section carrée	Joint section cuadrada	Joint section carrée	034-67453-0	AB	1
	Joint section carrée	Joint section cuadrada	Joint section carrée	034-67453-0	AB	1
	Joint section carrée	Joint section cuadrada	Joint section carrée	034-67453-0	AB	1
	Joint section carrée	Joint section cuadrada	Joint section carrée	034-67453-0	AB	1
	Joint section carrée	Joint section cuadrada	Joint section carrée	034-67453-0	AB	1
	Joint section carrée	Joint section cuadrada	Joint section carrée	034-67453-0	AB	1
9	Joint section carrée	Joint section cuadrada	Joint section carrée	034-67453-0	AB	1
	Joint section carrée	Joint section cuadrada	Joint section carrée	034-67453-0	AB	1
	Joint section carrée	Joint section cuadrada	Joint section carrée	034-67453-0	AB	1
	Joint section carrée	Joint section cuadrada	Joint section carrée	034-67453-0	AB	1
	Joint section carrée	Joint section cuadrada	Joint section carrée	034-67453-0	AB	1
	Joint section carrée	Joint section cuadrada	Joint section carrée	034-67453-0	AB	1
	Joint section carrée	Joint section cuadrada	Joint section carrée	034-67453-0	AB	1
	Joint section carrée	Joint section cuadrada	Joint section carrée	034-67453-0	AB	1
	Joint section carrée	Joint section cuadrada	Joint section carrée	034-67453-0	AB	1
	Joint section carrée	Joint section cuadrada	Joint section carrée	034-67453-0	AB	1
9	Joint section carrée	Joint section cuadrada	Joint section carrée	034-67453-0	AB	1
	Joint section carrée	Joint section cuadrada	Joint section carrée	034-67453-0	AB	1
	Joint section carrée	Joint section cuadrada	Joint section carrée	034-67453-0	AB	1
	Joint section carrée	Joint section cuadrada	Joint section carrée	034-67453-0	AB	1
	Joint section carrée	Joint section cuadrada	Joint section carrée	034-67453-0	AB	1
	Joint section carrée	Joint section cuadrada	Joint section carrée	034-67453-0	AB	1
	Joint section carrée	Joint section cuadrada	Joint section carrée	034-67453-0	AB	1
	Joint section carrée	Joint section cuadrada	Joint section carrée	034-67453-0	AB	1
	Joint section carrée	Joint section cuadrada	Joint section carrée	034-67453-0	AB	1
	Joint section carrée	Joint section cuadrada	Joint section carrée	034-67453-0	AB	1

Spare part list

Hydraulic Pumps

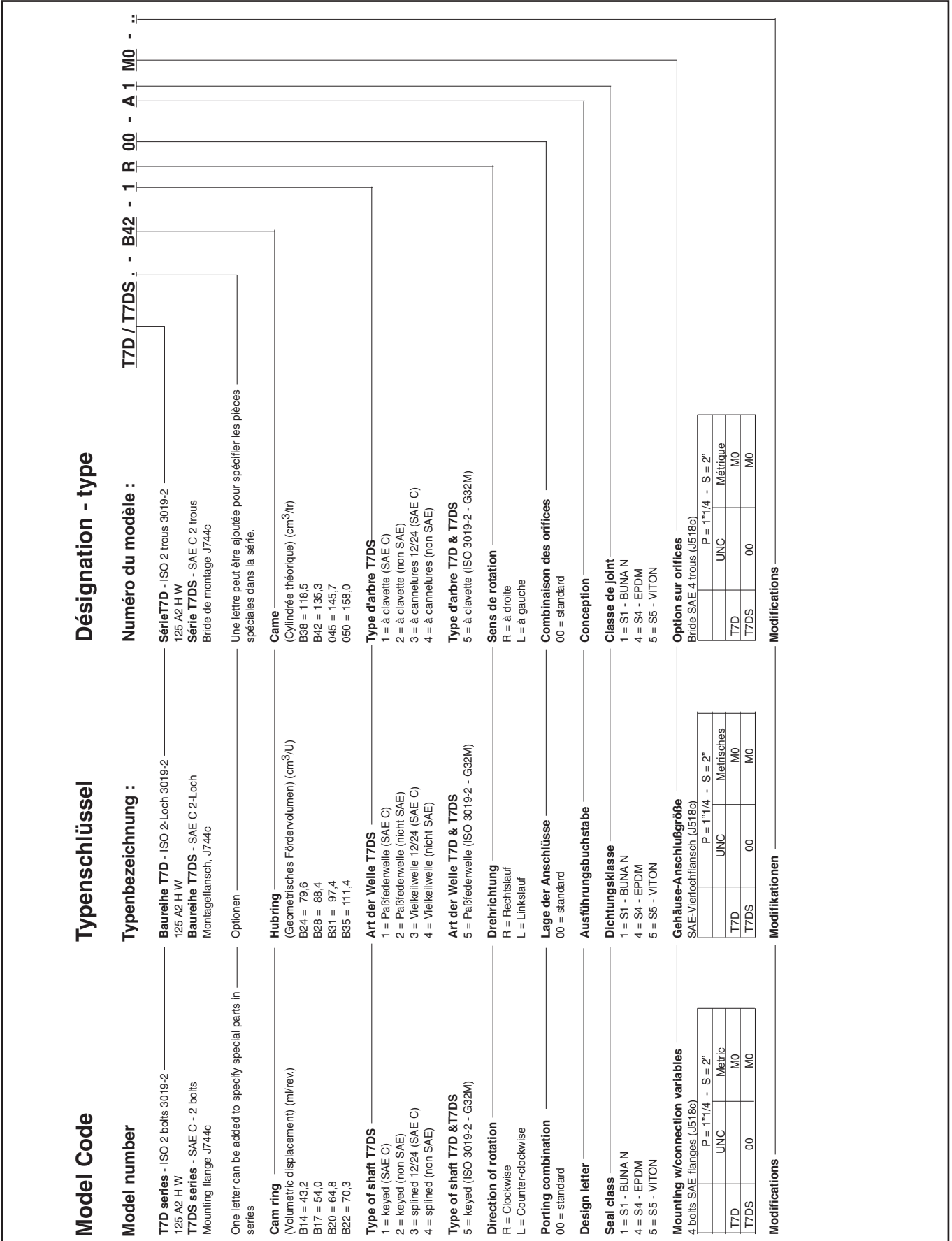
Series T7D*, Denison Vane Pumps

Item Pos. Ref. Pos.	Description Descrizione	Benennung Descripcion	Description	Part N° Teil Nr. Code N° Cod. N° Referencia T7D	Part N° Teil Nr. Code N° Cod. N° Referencia T7DS	Qty Stück Qté Q.tà Cant.
10	Ball bearing Cuscinetto a sfera	Kugellager Cojinete de bolas	Roulement à billes	CDE FG	230-00207-0	1
11a	Mounting cap 1" (metric - M0) Coperchio 1" (metrica - M0)	Deckel 1" (Metrisch - M0) Tapa de montaje 1" (metrico - M0)	Chapeau de montage 1" (métrique - M0)	034-67485-0	034-66766-0	1
11b	Mounting cap 1" (UNC - 00) Coperchio 1" (UNC - 00)	Deckel 1" (UNC - 00) Tapa de montaje 1" (UNC - 00)	Chapeau de montage 1" (UNC - 00)		034-47916-0	1
12a	Key (code 1) Chiavetta (codice 1)	Paßfeder (Typ 1) Chaveta (codigo 1)	Clavette (code 1)	C	034-46754-0	1
12b	Key (code 2) Chiavetta (codice 2)	Paßfeder (Typ 2) Chaveta (codigo 2)	Clavette (code 2)	D	034-49676-0	1
12c	Key (code 5) Chiavetta (codice 5)	Paßfeder (Typ 5) Chaveta (codigo 5)	Clavette (code 5)	G	034-30168-0	1
13a	Shaft (keyed) (code 1) (SAE C) Albero a chiavetta (codice 1) (SAE C)	Welle für Paßfeder (Typ 1) (SAE C) Eje chaveteado (codigo 1) (SAE C)	Arbre à clavette (code 1) (SAE C)	C	034-70858-0	1
13b	Shaft (keyed) (code 2) Albero a chiavetta (codice 2)	Welle für Paßfeder (Typ 2) Eje chaveteado (codigo 2)	Arbre à clavette (code 2)	D	034-70980-0	1
13c	Shaft (splined) (code 3) (SAE C) Albero a scanalato (codice 3) (SAE C)	Wellenwelle (Typ 3) (SAE C) Eje estriado (codigo 3) (SAE C)	Arbre à cannelures (code 3) (SAE C)	E	034-70859-0	1
13d	Shaft (splined) (code 4) Albero scanalato (codice 4)	Wellenwelle (Typ 4) Eje estriado (codigo 4)	Arbre à cannelures (code 4)	F	034-70923-0	1
13e	Shaft (keyed) (code 5) Albero a chiavetta (codice 5)	Welle für Paßfeder (Typ 5) Eje chaveteado (codigo 5)	Arbre à clavette (code 5)	G	034-66814-0	1
14	Round section ring Anello elastico	Sicherungsring Anillo tórico	Anneau	CDE FG	034-70853-0	2
15	Shaft seal (S1 - 0,7 bar) Paraolio (S1 - 0,7 bar)	Simmering (S1 - 0,7 bar) Reten eje (S1 - 0,7 bar)	Joint d'arbre (S1 - 0,7 bar)	B	620-82062-0	1
	Shaft seal (S4 - S5 - 7 bar) Paraolio (S4 - S5 - 7 bar)	Simmering (S4 - S5 - 7 bar) Reten eje (S4 - S5 - 7 bar)	Joint d'arbre (S4 - S5 - 7 bar)	B	620-82066-0	1
16	Sq. section seal Guarnizione	Dichtring Junta seccion cuadrada	Joint section carrée	AB	691-10232-0	1
	Port plate-pressure (Except cam rings 045 - 050) Piatto distributore anter. (Eccetto anello camma 045-050)	Steuerplatte (außer Hubringe 045 - 050) Plato distribuidor-presión (Excepto los aros 045 - 050)	Plaque pression (Excepté cames 045 - 050)	A	034-67479-0	1
17	Port plate-pressure C.C.W. (Only cam rings 045 - 050) Piatto distributore anter. (Solo anello camma 045-050)	Steuerplatte Linkslauf (nur Hubringe 045 - 050) Plato distribuidor-presión giro I (Solo los aros 045 - 050)	Plaque press. rot. gauche (Seulement cames 045-050)	A	034-67113-0	1
	Port plate-pressure C.W. (Only cam rings 045 - 050) Piatto distributore anter. oraria (Solo anello camma 045-050)	Steuerplatte Rechtslauf (nur Hubringe 045 - 050) Plato distribuidor-presión giro D (Solo los aros 045 - 050)	Plaque press. rot. droite (Seulement cames 045-050)	A	034-67111-0	1
18	Dowel pin Spina	Zentrierstift Pasador	Goupille	A	324-21612-0	2
19	Rotor-insert ass'y (Except cam rings 045 - 050) Insieme rotore (Eccetto anello camma 045 - 050)	Rotor (außer Hubringe 045 - 050) Conjunto rotor (Excepto los aros 045 - 050)	Rotor et douille ass. (Excepté cames 045 - 050)	A	S24-73783-0	1
	Rotor-insert ass'y (Only cam rings 045 - 050) Insieme rotore (Solo anello camma 045 - 050)	Rotor (nur Hubringe 045 - 050) Conjunto rotor (Solo los aros 045 - 050)	Rotor et douille ass. (Seulement cames 045 - 050)	A	S24-10121-0	1
20	Screw Vite	Schraube Tornille	Vis	A	317-10320-0	2
21	Bush Bussola	Buchse Cojinete de fricción	Bague	AHJ	034-70868-0	1
22	Dowel pin Spina	Zentrierstift Pasador	Goupille		323-82004-0	1
23	Screw Vite	Schraube Tornille	Vis		306-40157-0	4

Spare part list

Series T7D*, Denison Vane Pumps

Item Pos. Réf. Pos.	Description Descrizione	Benennung Descripcion	Description	Part N° Teil Nr. Code N° Cod. N° Referencia T7D	Part N° Teil Nr. Code N° Cod. N° Referencia T7DS	Qty. Stück Qté Q.tà Cant.
	REPAIR KIT KIT DI RICAMBIO	AUSTAUSCH-BAUGRUPPEN CUNJUNTO REPARACION	POCHETTES RECHANGES			
A	Cart. and plate ass'y B14 C.W. Ins. cart. B14 oraria	Pumpeneinheit B14 Rechtslauf Conjunto cart. y platos B14 giro d.	Cart. et plaque ass. B14 rot. d.	S24-76312*		1
A	Cart. and plate ass'y B14 C.C.W. Ins. cart. B14 antioraria	Pumpeneinheit B14 Linkslauf Conjunto cart. y platos B14 giro i.	Cart. et plaque ass. B14 rot. g.	S24-76313*		1
A	Cart. and plate ass'y B17 C.W. Ins. cart. B17 oraria	Pumpeneinheit B17 Rechtslauf Conjunto cart. y platos B17 giro d.	Cart. et plaque ass. B17 rot. d.	S24-76314*		1
A	Cart. and plate ass'y B17 C.C.W. Ins. cart. B17 antioraria	Pumpeneinheit B17 Linkslauf Conjunto cart. y platos B17 giro i.	Cart. et plaque ass. B17 rot. g.	S24-76315*		1
A	Cart. and plate ass'y B20 C.W. Ins. cart. B20 oraria	Pumpeneinheit B20 Rechtslauf Conjunto cart. y platos B20 giro d.	Cart. et plaque ass. B20 rot. d.	S24-76316*		1
A	Cart. and plate ass'y B20 C.C.W. Ins. cart. B20 antioraria	Pumpeneinheit B20 Linkslauf Conjunto cart. y platos B20 giro i.	Cart. et plaque ass. B20 rot. g.	S24-76317*		1
A	Cart. and plate ass'y B22 C.W. Ins. cart. B22 oraria	Pumpeneinheit B22 Rechtslauf Conjunto cart. y platos B22 giro d.	Cart. et plaque ass. B22 rot. d.	S24-76318*		1
A	Cart. and plate ass'y B22 C.C.W. Ins. cart. B22 antioraria	Pumpeneinheit B22 Linkslauf Conjunto cart. y platos B22 giro i.	Cart. et plaque ass. B22 rot. g.	S24-76319*		1
A	Cart. and plate ass'y B24 C.W. Ins. cart. B24 oraria	Pumpeneinheit B24 Rechtslauf Conjunto cart. y platos B24 giro d.	Cart. et plaque ass. B24 rot. d.	S24-76320*		1
A	Cart. and plate ass'y B24 C.C.W. Ins. cart. B24 antioraria	Pumpeneinheit B24 Linkslauf Conjunto cart. y platos B24 giro i.	Cart. et plaque ass. B24 rot. g.	S24-76321*		1
A	Cart. and plate ass'y B28 C.W. Ins. cart. B28 oraria	Pumpeneinheit B28 Rechtslauf Conjunto cart. y platos B28 giro d.	Cart. et plaque ass. B28 rot. d.	S24-76322*		1
A	Cart. and plate ass'y B28 C.C.W. Ins. cart. B28 antioraria	Pumpeneinheit B28 Linkslauf Conjunto cart. y platos B28 giro i.	Cart. et plaque ass. B28 rot. g.	S24-76323*		1
A	Cart. and plate ass'y B31 C.W. Ins. cart. B31 oraria	Pumpeneinheit B31 Rechtslauf Conjunto cart. y platos B31 giro d.	Cart. et plaque ass. B31 rot. d.	S24-76324*		1
A	Cart. and plate ass'y B31 C.C.W. Ins. cart. B31 antioraria	Pumpeneinheit B31 Linkslauf Conjunto cart. y platos B31 giro i.	Cart. et plaque ass. B31 rot. g.	S24-76325*		1
A	Cart. and plate ass'y B35 C.W. Ins. cart. B35 oraria	Pumpeneinheit B35 Rechtslauf Conjunto cart. y platos B35 giro d.	Cart. et plaque ass. B35 rot. d.	S24-76326*		1
A	Cart. and plate ass'y B35 C.C.W. Ins. cart. B35 antioraria	Pumpeneinheit B35 Linkslauf Conjunto cart. y platos B35 giro i.	Cart. et plaque ass. B35 rot. g.	S24-76327*		1
A	Cart. and plate ass'y B38 C.W. Ins. cart. B38 oraria	Pumpeneinheit B38 Rechtslauf Conjunto cart. y platos B38 giro d.	Cart. et plaque ass. B38 rot. d.	S24-76328*		1
A	Cart. and plate ass'y B38 C.C.W. Ins. cart. B38 antioraria	Pumpeneinheit B38 Linkslauf Conjunto cart. y platos B38 giro i.	Cart. et plaque ass. B38 rot. g.	S24-76329*		1
A	Cart. and plate ass'y B42 C.W. Ins. cart. B42 oraria	Pumpeneinheit B42 Rechtslauf Conjunto cart. y platos B42 giro d.	Cart. et plaque ass. B42 rot. d.	S24-76330*		1
A	Cart. and plate ass'y B42 C.C.W. Ins. cart. B42 antioraria	Pumpeneinheit B42 Linkslauf Conjunto cart. y platos B42 giro i.	Cart. et plaque ass. B42 rot. g.	S24-76331*		1
A	Cart. and plate ass'y 045 C.W. Ins. cart. 045 oraria	Pumpeneinheit 045 Rechtslauf Conjunto cart. y platos 045 giro d.	Cart. et plaque ass. 045 rot. d.	S24-10847*		1
A	Cart. and plate ass'y 045 C.C.W. Ins. cart. 045 antioraria	Pumpeneinheit 045 Linkslauf Conjunto cart. y platos 045 giro i.	Cart. et plaque ass. 045 rot. g.	S24-10848*		1
A	Cart. and plate ass'y 050 C.W. Ins. cart. 050 oraria	Pumpeneinheit 050 Rechtslauf Conjunto cart. y platos 050 giro d.	Cart. et plaque ass. 050 rot. d.	S24-40028*		1
A	Cart. and plate ass'y 050 C.C.W. Ins. cart. 050 antioraria	Pumpeneinheit 050 Linkslauf Conjunto cart. y platos 050 giro i.	Cart. et plaque ass. 050 rot. g.	S24-40029*		1



Designazione

Sigla :

Serie T7D - ISO 2 fori 3019-2
125 A2 H W
Serie T7DS - SAE C 2 fori
Flangia di montaggio J744c

Una lettera può essere aggiunta per specificare parti speciali nella serie

Tipo di cartuccia

(Cilindrata) (ml/giro)
B14 = 43,2
B17 = 54,0
B20 = 64,8
B22 = 70,3
B24 = 79,6
B28 = 88,4

Tipo di albero T7DS

1 = a chiave (SAE C)
2 = a chiave
3 = scanalato 12/24 (SAE C)
4 = scanalato

Tipo di albero T7D & T7DS

5 = a chiave (ISO 3019-2 - G32M)

Senso di rotazione

R =orario
L = Antiorario

Orientamento delle bocche

00 = standard

Disegno

Tipo di guarnizioni

1 = S1 - BUNA N
4 = S4 - EPDM
5 = S5 - VITON

Dimensioni delle bocche

Flangia SAE 4 drenaggio (J518c)

	P = 1"1/4 - S = 2"	
UNC	Metrica	
T7D	M0	
T7DS	M0	

Modifiche

Clave de designación

Referencia modelo :

Serie T7D - ISO 2 taladros 3019-2
125 A2 H W
Serie T7DS - SAE C 2 taladros
Brida de montaje J744c

Una letra puede ser añadida para especificar piezas especiales en la serie

Aro volumetrico

(Cilindrada) (ml/rev)
B31 = 97,4
B35 = 111,4
B38 = 116,5
B42 = 135,3
045 = 145,7
050 = 158,0

Tipo de eje T7DS

1 = chaveteado (SAE C)
2 = chaveteado (no SAE)
3 = estriado 12/24 (SAE C)
4 = estriado (no SAE)

Tipo de eje T7D & T7DS

5 = chaveteado (ISO 3019-2 - G32M)

Sentido de giro

R = Derecha
L = Izquierda

Posición de bocas

00 = estándar

Letra de diseño

Clase de juntas

1 = S1 - BUNA N
4 = S4 - EPDM
5 = S5 - VITON

Opciones de las bocas

Brida SAE 4 taladros (J518c)

	P = 1"1/4 - S = 2"	
UNC	Metrico	
T7D	M0	
T7DS	M0	

Modificaciones

T7D / T7DS - B42 - 1 R 00 - A 1 M0 -

Warning**WARNING — USER RESPONSIBILITY**

FAILURE OR IMPROPER SELECTION OR IMPROPER USE OF THE PRODUCTS DESCRIBED HEREIN OR RELATED ITEMS CAN CAUSE DEATH, PERSONAL INJURY AND PROPERTY DAMAGE.

- This document and other information from Parker-Hannifin Corporation, its subsidiaries and authorized distributors provide product or system options for further investigation by users having technical expertise.

- The user, through its own analysis and testing, is solely responsible for making the final selection of the system and components and assuring that all performance, endurance, maintenance, safety and warning requirements of the application are met. The user must analyze all aspects of the application, follow applicable industry standards, and follow the information concerning the product in the current product catalog and in any other materials provided from Parker or its subsidiaries or authorized distributors.

- To the extent that Parker or its subsidiaries or authorized distributors provide component or system options based upon data or specifications provided by the user, the user is responsible for determining that such data and specifications are suitable and sufficient for all applications and reasonably foreseeable uses of the components or systems.

Offer of Sale

Please contact your Parker representation for a detailed "Offer of Sale".

Parker Worldwide

Europe, Middle East, Africa

AE – United Arab Emirates,
Dubai

Tel: +971 4 8127100
parker.me@parker.com

AT – Austria, Wiener Neustadt
Tel: +43 (0)2622 23501-0
parker.austria@parker.com

AT – Eastern Europe, Wiener
Neustadt
Tel: +43 (0)2622 23501 900
parker.easteurope@parker.com

AZ – Azerbaijan, Baku
Tel: +994 50 2233 458
parker.azerbaijan@parker.com

BE/LU – Belgium, Nivelles
Tel: +32 (0)67 280 900
parker.belgium@parker.com

BY – Belarus, Minsk
Tel: +375 17 209 9399
parker.belarus@parker.com

CH – Switzerland, Etoy
Tel: +41 (0)21 821 87 00
parker.switzerland@parker.com

CZ – Czech Republic, Klecany
Tel: +420 284 083 111
parker.czechrepublic@parker.com

DE – Germany, Kaarst
Tel: +49 (0)2131 4016 0
parker.germany@parker.com

DK – Denmark, Ballerup
Tel: +45 43 56 04 00
parker.denmark@parker.com

ES – Spain, Madrid
Tel: +34 902 330 001
parker.spain@parker.com

FI – Finland, Vantaa
Tel: +358 (0)20 753 2500
parker.finland@parker.com

FR – France, Contamine s/Arve
Tel: +33 (0)4 50 25 80 25
parker.france@parker.com

GR – Greece, Athens
Tel: +30 210 933 6450
parker.greece@parker.com

HU – Hungary, Budapest
Tel: +36 1 220 4155
parker.hungary@parker.com

IE – Ireland, Dublin
Tel: +353 (0)1 466 6370
parker.ireland@parker.com

IT – Italy, Corsico (MI)
Tel: +39 02 45 19 21
parker.italy@parker.com

KZ – Kazakhstan, Almaty
Tel: +7 7272 505 800
parker.easteurope@parker.com

NL – The Netherlands, Oldenzaal
Tel: +31 (0)541 585 000
parker.nl@parker.com

NO – Norway, Asker
Tel: +47 66 75 34 00
parker.norway@parker.com

PL – Poland, Warsaw
Tel: +48 (0)22 573 24 00
parker.poland@parker.com

PT – Portugal, Leca da Palmeira
Tel: +351 22 999 7360
parker.portugal@parker.com

RO – Romania, Bucharest
Tel: +40 21 252 1382
parker.romania@parker.com

RU – Russia, Moscow
Tel: +7 495 645-2156
parker.russia@parker.com

SE – Sweden, Spånga
Tel: +46 (0)8 59 79 50 00
parker.sweden@parker.com

SK – Slovakia, Banská Bystrica
Tel: +421 484 162 252
parker.slovakia@parker.com

SL – Slovenia, Novo Mesto
Tel: +386 7 337 6650
parker.slovenia@parker.com

TR – Turkey, Istanbul
Tel: +90 216 4997081
parker.turkey@parker.com

UA – Ukraine, Kiev
Tel: +380 44 494 2731
parker.ukraine@parker.com

UK – United Kingdom, Warwick
Tel: +44 (0)1926 317 878
parker.uk@parker.com

ZA – South Africa, Kempton Park
Tel: +27 (0)11 961 0700
parker.southafrica@parker.com

North America

CA – Canada, Milton, Ontario
Tel: +1 905 693 3000

US – USA, Cleveland
(industrial)
Tel: +1 216 896 3000

US – USA, Elk Grove Village
(mobile)
Tel: +1 847 258 6200

Asia Pacific

AU – Australia, Castle Hill
Tel: +61 (0)2-9634 7777

CN – China, Shanghai
Tel: +86 21 2899 5000

HK – Hong Kong
Tel: +852 2428 8008

IN – India, Mumbai
Tel: +91 22 6513 7081-85

JP – Japan, Fujisawa
Tel: +81 (0)4 6635 3050

KR – South Korea, Seoul
Tel: +82 2 559 0400

MY – Malaysia, Shah Alam
Tel: +60 3 7849 0800

NZ – New Zealand, Mt Wellington
Tel: +64 9 574 1744

SG – Singapore
Tel: +65 6887 6300

TH – Thailand, Bangkok
Tel: +662 717 8140

TW – Taiwan, Taipei
Tel: +886 2 2298 8987

South America

AR – Argentina, Buenos Aires
Tel: +54 3327 44 4129

BR – Brazil, Cachoeirinha RS
Tel: +55 51 3470 9144

CL – Chile, Santiago
Tel: +56 2 623 1216

MX – Mexico, Apodaca
Tel: +52 81 8156 6000

EMEA Product Information Centre

Free phone: 00 800 27 27 5374

(from AT, BE, CH, CZ, DE, DK, EE, ES, FI, FR, IE, IL,
IS, IT, LU, MT, NL, NO, PL, PT, RU, SE, SK, UK, ZA)

US Product Information Centre

Toll-free number: 1-800-27 27 537

www.parker.com

