

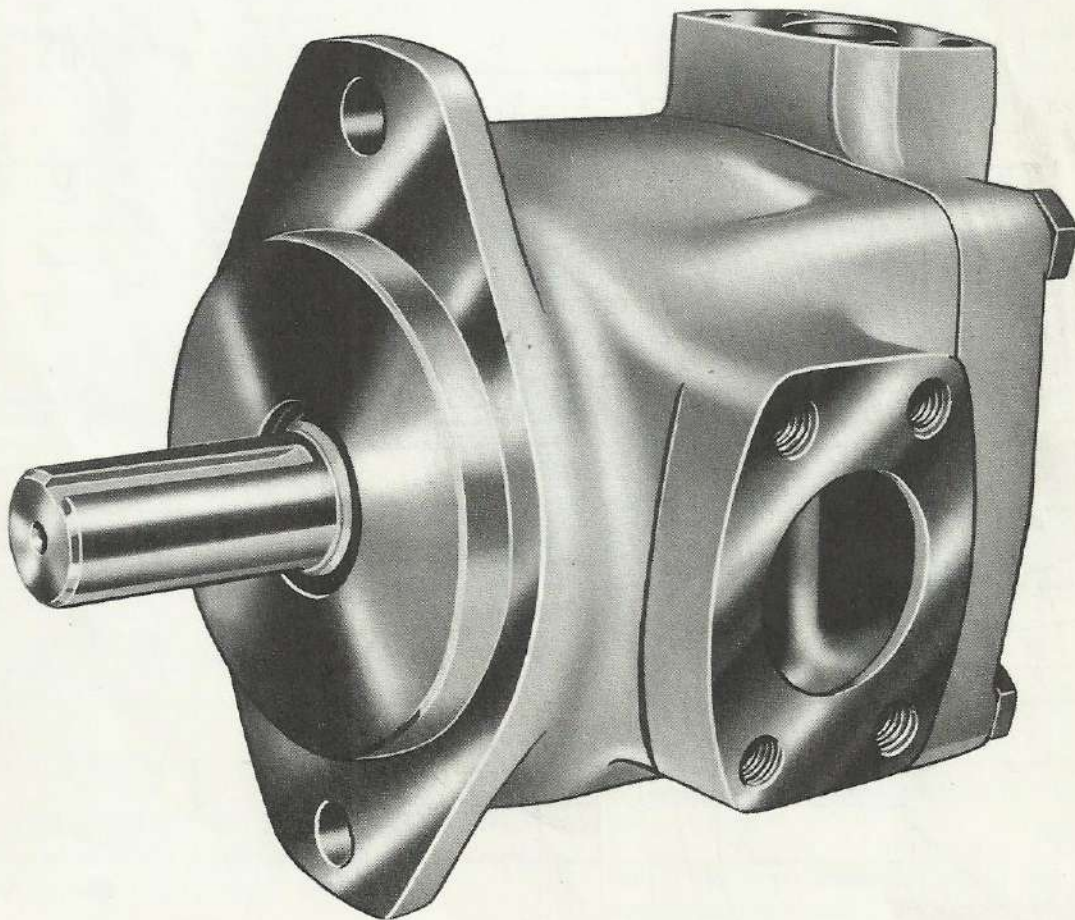
Abex

DENISON

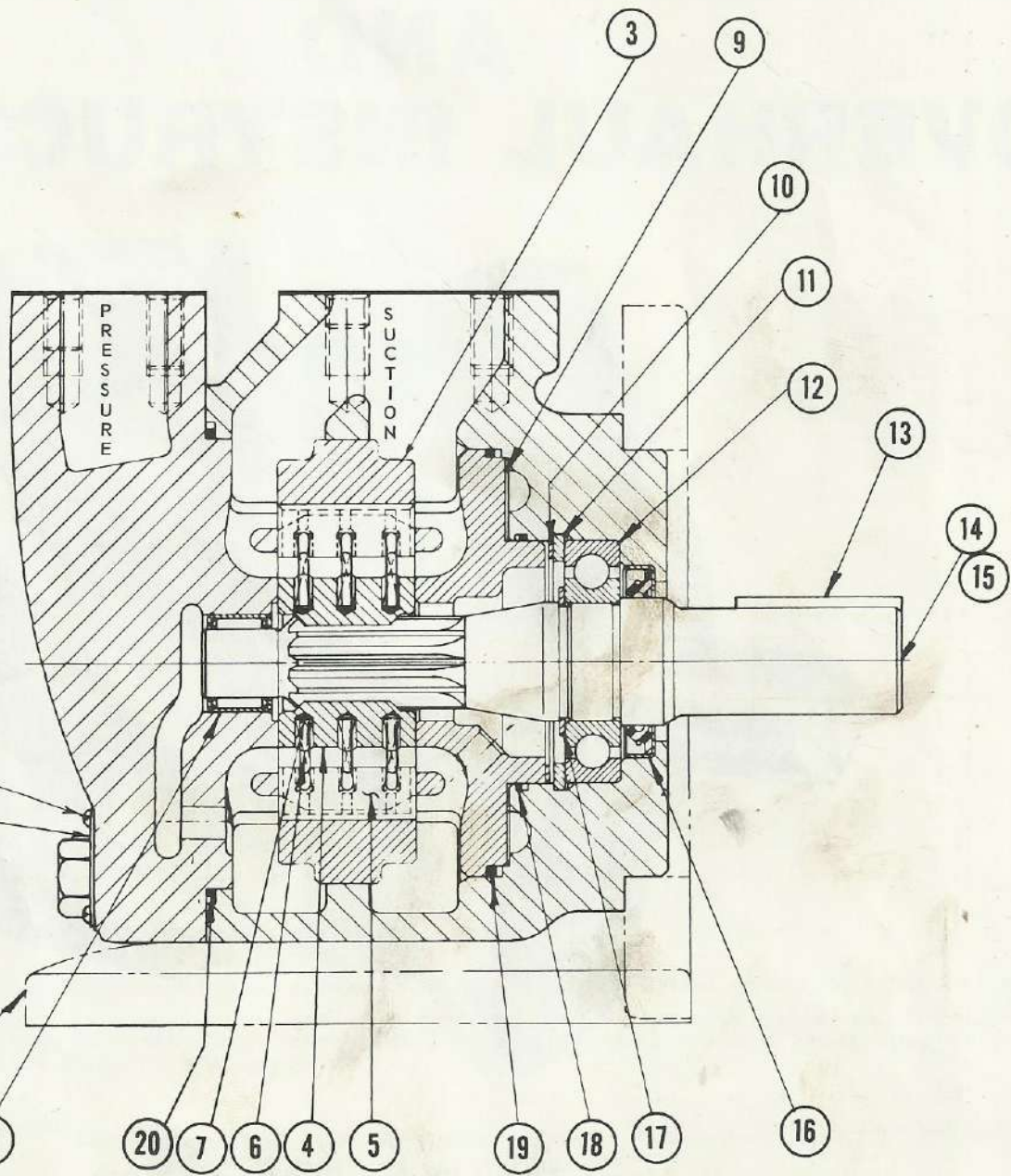
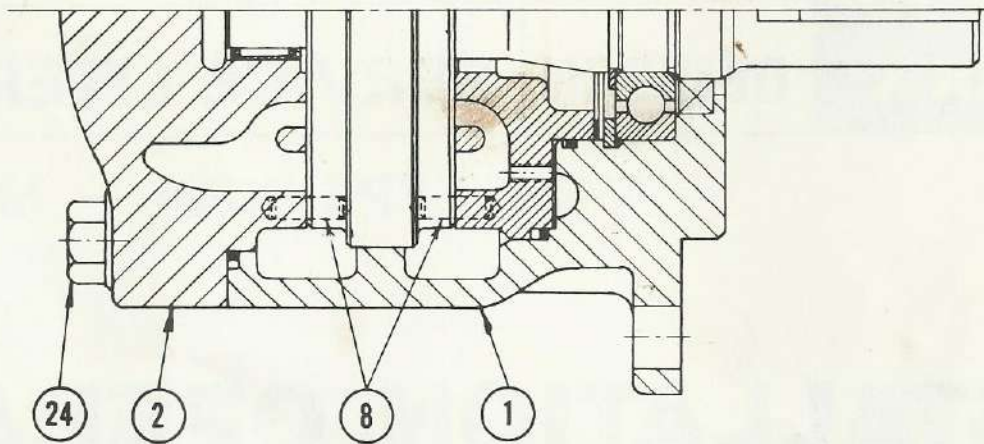
SERVICE LITERATURE

VANE TYPE PUMP – MODEL T2D

INSTALLATION, OPERATION AND OVERHAUL INSTRUCTIONS



Vane Type Pump – Model T2D



034-24342
BRACKET

5/8-11 x 1 1/4
H.H.C. screws
2 req'd.
306-24180

**REPLACEMENT PARTS LIST
T2D VANE PUMP**

REF. NO.	DESCRIPTION	PART NO.	QTY
1	Body housing	034-29415	1
2	Cap	034-44899	1
3	Cam ring, T2D-020	034-27300	1
	Cam ring, T2D-028	034-27301	1
	Cam ring, T2D-031	034-27302	1
	Cam ring, T2D-035	034-27303	1
	Cam ring, T2D-038	034-27304	1
4	Rotor ▲	034-21383	1
5	Vane ▲	034-24478	10
6	Vane spring ▲	034-21396	30
7	Spring guide ▲	034-24678	30
8	Dowel pin, 1/4 x 3/4	324-21612	2
9	Front port plate	034-44897	1
10	Wavy washer No. 2332	350-10025	1
11	Retaining ring No. 5008-283	356-32283	1
12	Ball bearing N.D. 3207	230-00207	1
13	Shaft key use w/No. 14	034-19579	1
14	Shaft (keyed)	034-29416	1
15	Shaft (splined) 14T. 12/24 P.81 spline lgth.	034-29417	1
16	Shaft seal No. 78 x 0643 (s)	620-82005	1
17	Retaining ring 5100-137	356-31137	1
18	Square section seal TS33-149 (s)	691-10149	1
19	Square section seal TS33-248 (s)	691-10248	1
20	Square section seal TS33-252 (s)	691-10252	1
21	Needle bearing BH 1312	230-82002	1
22	Data plate	034-42164	1
23	R.H. screw Type F No. 4-40 x 3/16	320-20403	4
24	H.H.C. screw 5/8-11 x 2-1/4	306-40154	4
(s)	These items included in seal kit T2D Seal Kit	S14-15021	1
▲	These items and a cam ring included in the following kits:		
	T2D-020 cam ring assembly kit	S14-08042	1
	cam ring assembly kit	S14-08043	1
	T2D-031 cam ring assembly kit	S14-08044	1
	T2D-035 cam ring assembly kit	S14-08045	1
	T2D-038 cam ring assembly kit	S14-08046	1

FLUID CONNECTIONS	FLANGES	SEALS	SCREWS	CODE NO.
	May be ordered as an assembly ▼			
1 1/4" NPT Outlet	034-24189	671-00223	306-40000	S14-06617
1 1/4" IPS Soc. weld or	034-24347	691-10224	306-40000	S14-08055
1 1/4" SAE-20 1-5/8-12 thrds. Pressure	034-24190	671-00223	358-18200	S14-06618
2" NPT Inlet	034-29420	691-10231	306-20300	S14-09335
2" IPS Soc. weld or	034-29817	691-10231	306-20300	S14-09336
2" SAE-32 2 1/2"-12 thrds. Suction	034-29815	691-10231	358-20200	S14-09337
Quantity per unit	1	1	4	1

To change shaft rotation:

Remove end cap (2) and one dowel pin (8). Thread two 10-24 screws in the tapped holes in the cam ring and remove the cam ring assembly as a unit.

Remove the other dowel pin (8) from the front port plate and insert in the other hole in the same plate. Use the hole nearest the arrow indicating direction of rotation. Remove the two screws from the cam ring assembly and thread them into the two holes on the

opposite side of the assembly. Place the cam ring assembly on the shaft and over the dowel pin (8) in the port plate.

Install the other dowel pin (8) in the top of the cam ring assembly. Position the end cap (2) over the dowel pin (8) using the hole in the end cap nearest the arrow indicating the desired rotation. Hold the end cap against the cam ring assembly and rotate the cap and all internal parts to the required location and insert the screws and tighten to 130 ft. lbs. torque.

SALES OFFICES

CALIFORNIA

Hawthorne 90250
2323 W. El Segundo Blvd.
(213) 757-1791

Los Altos (San Francisco) 94022
175 S. San Antonio Rd.
(415) 948-5735

GEORGIA

Atlanta 30342
174 W. Wieuca, N.E.
(404) 252-3417

ILLINOIS

La Grange (Countryside) 60525
5344 East Ave.
(312) 354-8134

NEW YORK

Liverpool 18088
181 Blackberry Rd.
(315) 652-5198

PENNSYLVANIA

Pittsburgh 15220
1910 Cochran Rd., Manor Oak 1 Bldg.
(412) 343-5313

TEXAS

Dallas 75240
7540 LBJ Expressway, Suite 913
(214) 239-0963
Houston 77022
4615 North Freeway, Suite 303
(713) 691-4721

WISCONSIN

Elm Grove 53122
910 Elm Grove Rd.
(414) 786-9590

CANADA

Abex Industries, Ltd., Denison Division
Downsview, Ontario
681 Petrolia Road
(416) 661-9633

CUSTOMER SERVICE CENTER

1200 Dublin Road
Columbus, Ohio 43216
(614) 488-1191

MARINE & GOVERNMENT DEPARTMENT

1160 Dublin Road
Columbus, Ohio 43216
(614) 488-1191

Sales Representatives and Distributors Located in Major Industrial Areas—Look for "Abex/Denison Hydraulic Equipment" in the Yellow Pages.

INTERNATIONAL SUBSIDIARIES AND SALES OFFICES LOCATED IN—Argentina, Australia, Austria, Belgium, Brazil, Canada, Chile, Colombia, Denmark, Eastern Europe, England, Finland, France, Germany, Greece, Holland, India, Iran, Italy, Japan, Mexico, New Zealand, Norway, Peru, South Africa, Spain, Sweden, Switzerland, Turkey, Venezuela.

Abex

DENISON

ABEX CORPORATION, DENISON DIVISION, 1160 Dublin Road, Columbus, Ohio 43216 (614) 488-1191
An IC Industries Company