

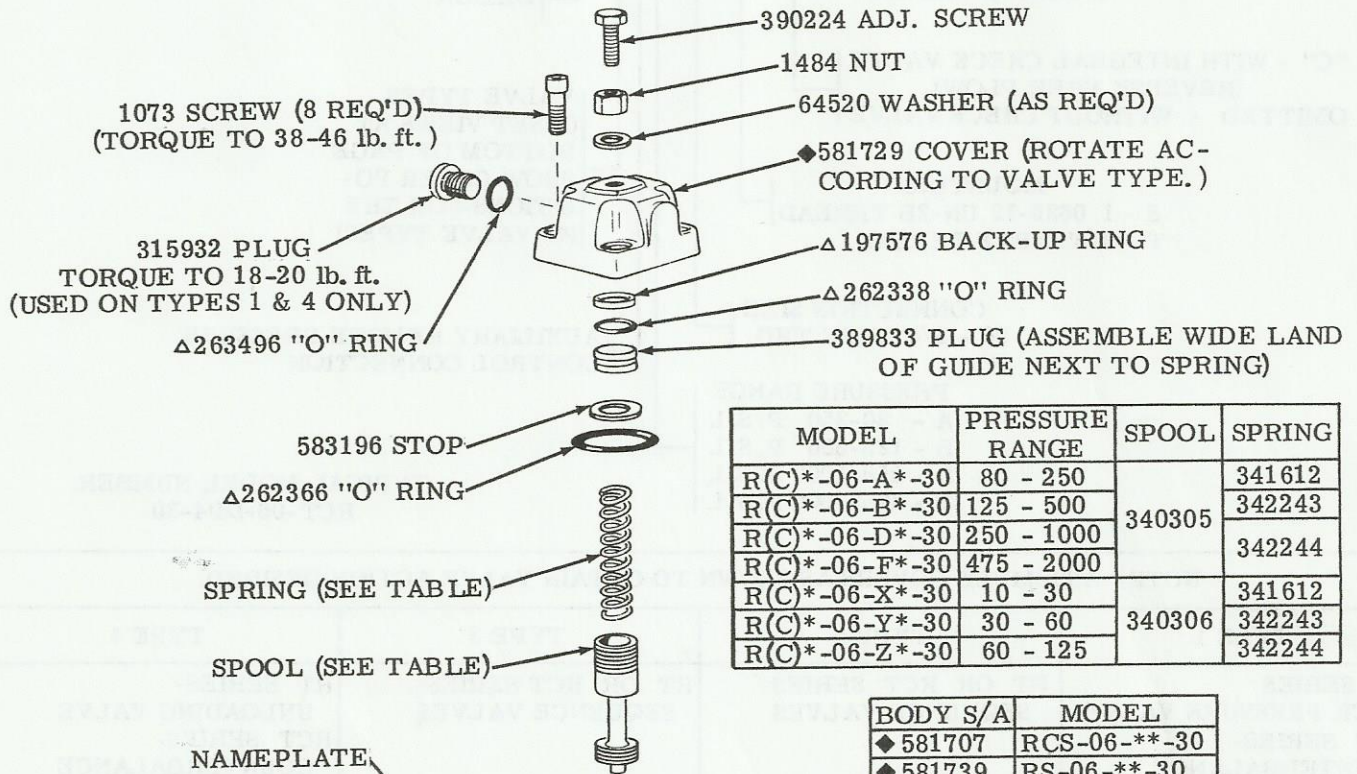


**PRESSURE CONTROL VALVES**

# Service Parts Information

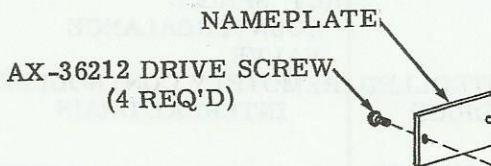
R(C)S-06-\*\*-30

R(C)T-06-\*\*-30



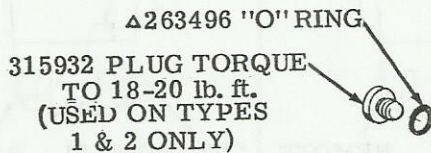
MODEL	PRESSURE RANGE	SPOOL	SPRING
R(C)*-06-A*-30	80 - 250	340305	341612
R(C)*-06-B*-30	125 - 500		342243
R(C)*-06-D*-30	250 - 1000		342244
R(C)*-06-F*-30	475 - 2000	340306	341612
R(C)*-06-X*-30	10 - 30		342243
R(C)*-06-Y*-30	30 - 60		342244
R(C)*-06-Z*-30	60 - 125		

BODY S/A	MODEL
◆581707	RCS-06-**-30
◆581739	RS-06-**-30
◆589498	RCT-06-**-30
◆590373	RT-06-**-30



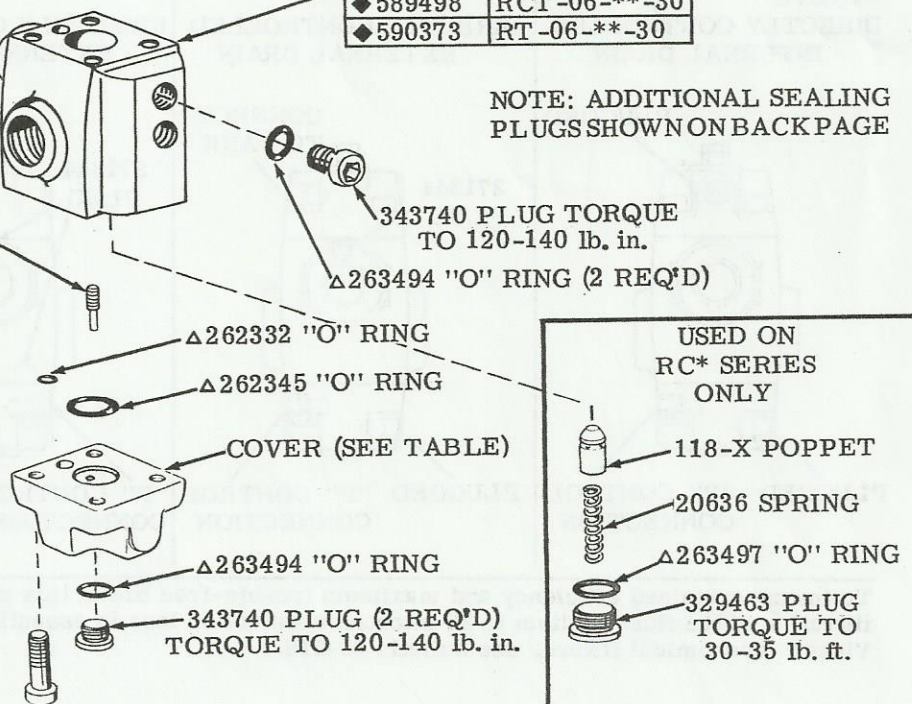
PRESSURE RANGE	COVER	PLUNGER
A, B, & D	583190	593888
X, Y, & Z		
F	583189	593889

NOTE: ADDITIONAL SEALING PLUGS SHOWN ON BACK PAGE



ΔINCLUDED IN F3 SEAL KIT 919781

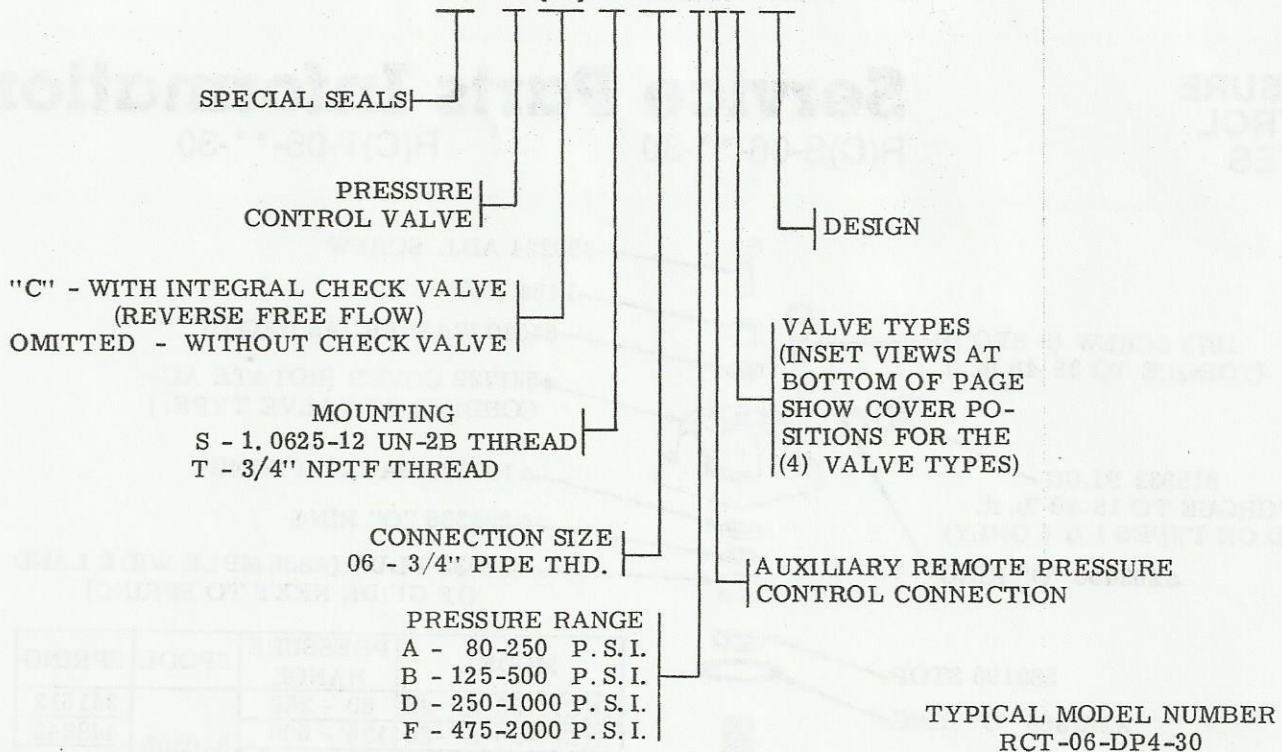
◆FOR REFERENCE ONLY NOT AVAILABLE FOR SALE





# MODEL CODE BREAKDOWN

F3-R(C) \* -06-\*P\*-30



NOTE: ASSEMBLE COVERS AS SHOWN TO OBTAIN VALVE ACTION DESIRED.

TYPE 1	TYPE 2	TYPE 3	TYPE 4
RT SERIES BACK PRESSURE VALVE RCT SERIES- COUNTERBALANCE VALVE DIRECTLY CONTROLLED INTERNAL DRAIN	RT OR RCT SERIES- SEQUENCE VALVES DIRECTLY CONTROLLED EXTERNAL DRAIN	RT OR RCT SERIES- SEQUENCE VALVES REMOTELY CONTROLLED EXTERNAL DRAIN	RT SERIES- UNLOADING VALVE RCT SERIES- COUNTERBALANCE VALVE REMOTELY CONTROLLED INTERNAL DRAIN
<p>PLUGGED</p> <p>PLUGGED "P" CONTROL CONNECTION</p>	<p>CONNECT TO TANK</p> <p>271344 PLUG</p> <p>PLUGGED "P" CONTROL CONNECTION</p>	<p>CONNECT TO TANK</p> <p>271344 PLUG</p> <p>"P" CONTROL REMOTE CONTROL CONNECTION</p>	<p>PLUGGED</p> <p>271344 PLUG</p> <p>"P" CONTROL REMOTE CONTROL CONNECTION</p>

To insure sustained efficiency and maximum trouble-free life of this precision equipment, initial and continuous filtration of the fluid medium to 25 microns absolute or less is essential. (For information pertaining to Sperry Vickers economical filters, see bulletin 81-216.)

Litho in U. S. A.