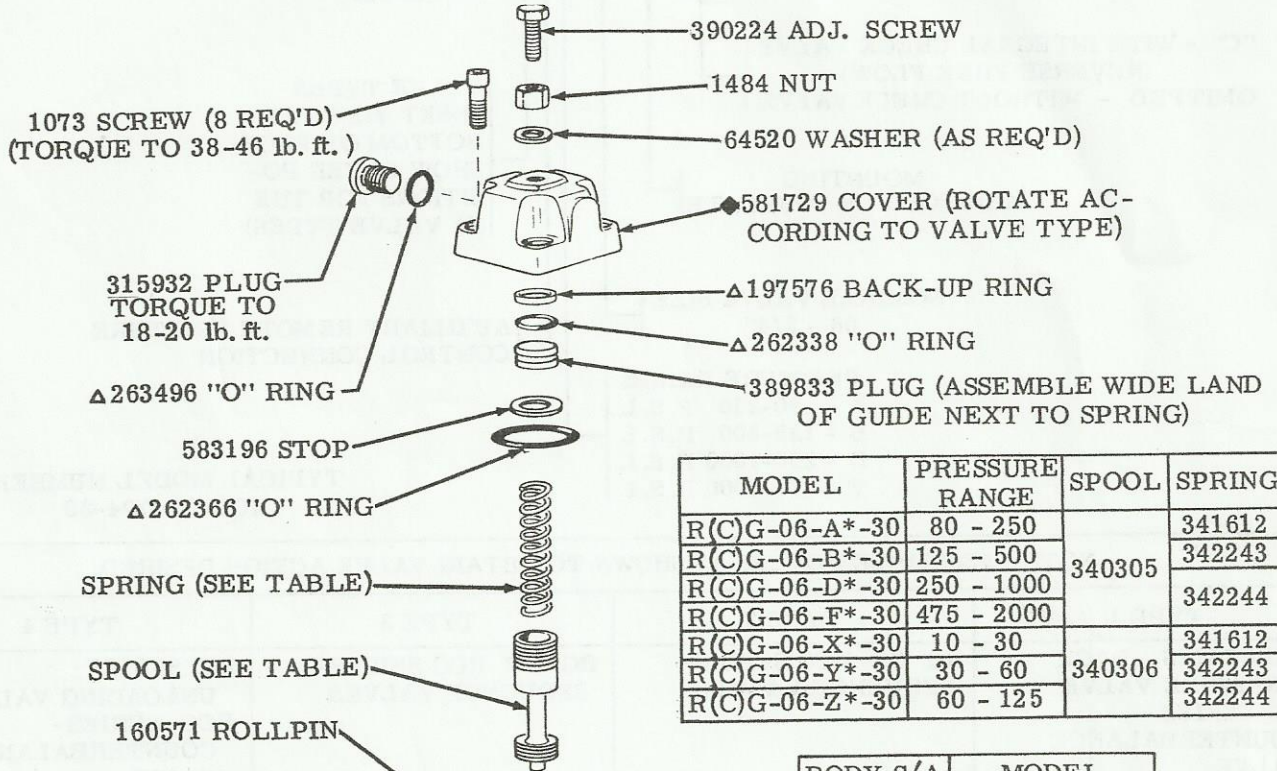


PRESSURE CONTROL VALVES

Service Parts Information

R(C)G-06-**-30

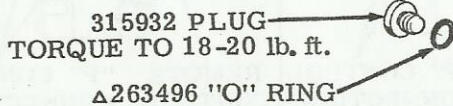


MODEL	PRESSURE RANGE	SPOOL	SPRING
R(C)G-06-A*-30	80 - 250	340305	341612
R(C)G-06-B*-30	125 - 500		342243
R(C)G-06-D*-30	250 - 1000		342244
R(C)G-06-F*-30	475 - 2000	340306	341612
R(C)G-06-X*-30	10 - 30		342243
R(C)G-06-Y*-30	30 - 60		342244
R(C)G-06-Z*-30	60 - 125		

BODY S/A	MODEL
◆581716	RCG-06-**-30
◆581738	RG-06-**-30

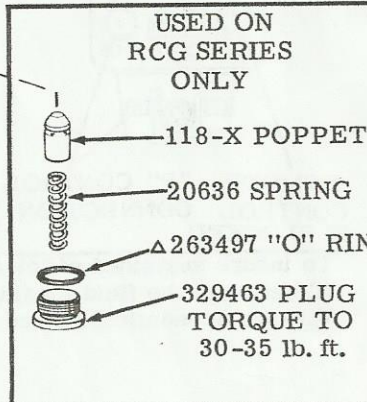
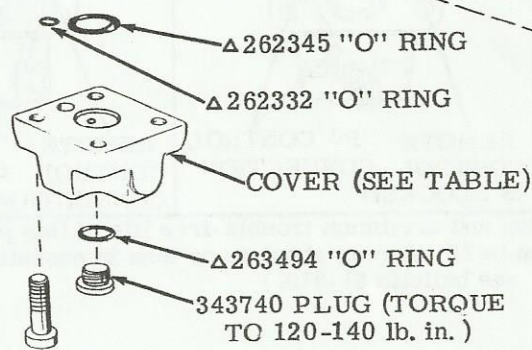
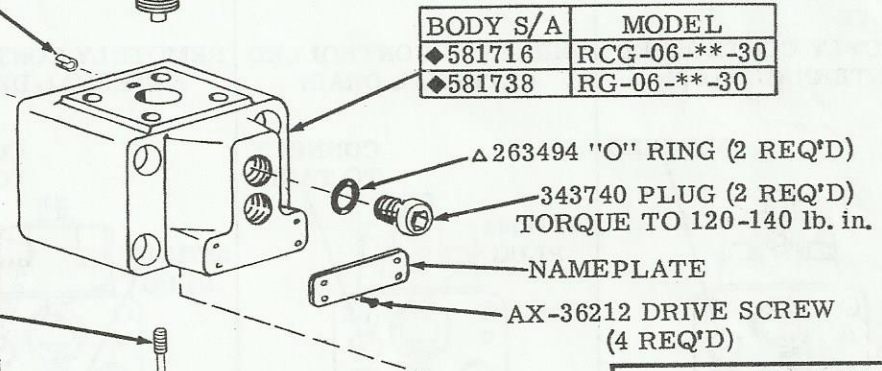
PRESSURE RANGE	COVER	PLUNGER
A, B, & D	583190	593888
X, Y, & Z	583190	593888
F	583189	593889

NOTE: ADDITIONAL SEALING PLUGS SHOWN ON BACK PAGE



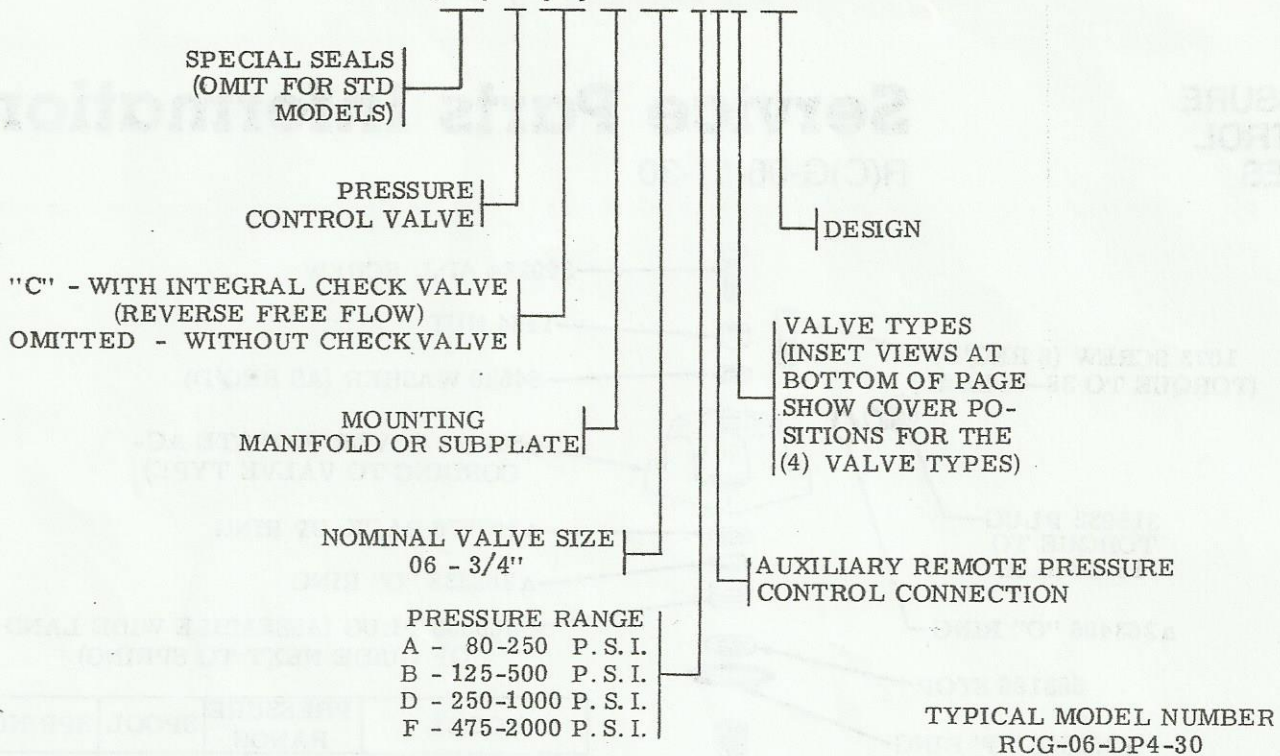
Δ INCLUDED IN F3 SEAL KIT 919781

◆ FOR REFERENCE ONLY NOT AVAILABLE FOR SALE



MODEL CODE BREAKDOWN

(F3)-R (C) G-06-*P*-30



NOTE: ASSEMBLE COVERS AS SHOWN TO OBTAIN VALVE ACTION DESIRED.

TYPE 1	TYPE 2	TYPE 3	TYPE 4
RG SERIES - BACK PRESSURE VALVE RCG SERIES - COUNTERBALANCE VALVE DIRECTLY CONTROLLED INTERNAL DRAIN	RG OR RCG SERIES- SEQUENCE VALVES DIRECTLY CONTROLLED EXTERNAL DRAIN	RG OR RCG SERIES- SEQUENCE VALVES REMOTELY CONTROLLED EXTERNAL DRAIN	RG SERIES- UNLOADING VALVE RCG SERIES- COUNTERBALANCE VALVE REMOTELY CONTROLLED INTERNAL DRAIN
<p>BLOCKED</p> <p>REMOTE "P" CONTROL CONTROL CONNECTION IS BLOCKED</p>	<p>CONNECT TO TANK</p> <p>REMOTE "P" CONTROL CONTROL CONNECTION IS BLOCKED</p>	<p>CONNECT TO TANK</p> <p>REMOTE "P" CONTROL CONTROL CONNECTION</p>	<p>BLOCKED</p> <p>REMOTE "P" CONTROL CONTROL CONNECTION</p>

To insure sustained efficiency and maximum trouble-free life of this precision equipment, initial and continuous filtration of the fluid medium to 25 microns absolute or less is essential. (For information pertaining to Sperry Vickers economical filters, see bulletin 81-216.)

Litho in U. S. A.