

# Racine

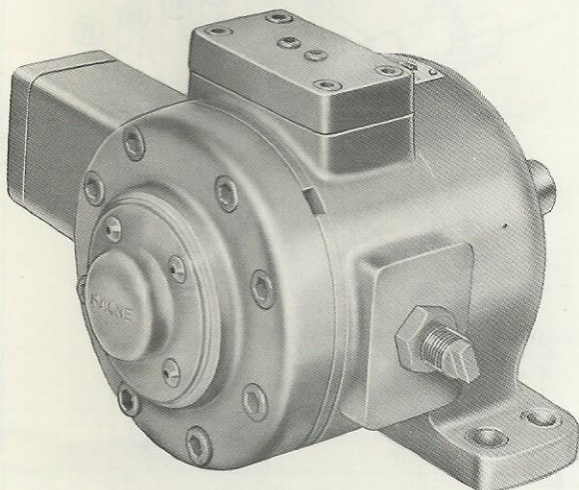
fluid power products

## REPAIR PARTS

### MODEL PVS

### VARIABLE VOLUME VANE TYPE PUMP

SUBPLATE MOUNTED



WHEN ORDERING PARTS, FURNISH:

1. COMPLETE CODE NUMBER
2. PARTS REQUIRED
3. SHIPPING INSTRUCTIONS

WRITE FACTORY FOR NEAREST AUTHORIZED  
PARTS AND SERVICE CENTER.

## PUMP CODING

PVS-PSSO-IOER-02

P--PRESSURE COMPENSATOR (STANDARD)

E--HANDWHEEL PRESSURE COMPENSATOR

J--HYDRAULIC DUAL PRESSURE (EXTERNAL)

O--SOLENOID CONTROLLED DUAL PRESSURE  
(WITH OIL-IMMERSED SOLENOID)

S--SOLENOID CONTROLLED DUAL PRESSURE

O--BUNA N SEALS

F--VITON SEALS

W--WATER GLYCOLS

B--250 PSI

C--500 PSI

E--1000 PSI

R--RIGHT HAND ROTATION

L--LEFT HAND ROTATION

D--DOUBLE-ENDED SHAFT

10--10 GPM

12--12 GPM

H--HANDWHEEL VOLUME CONTROL

S--SCREW VOLUME CONTROL

PVS-PSS0-10\*\* - 02

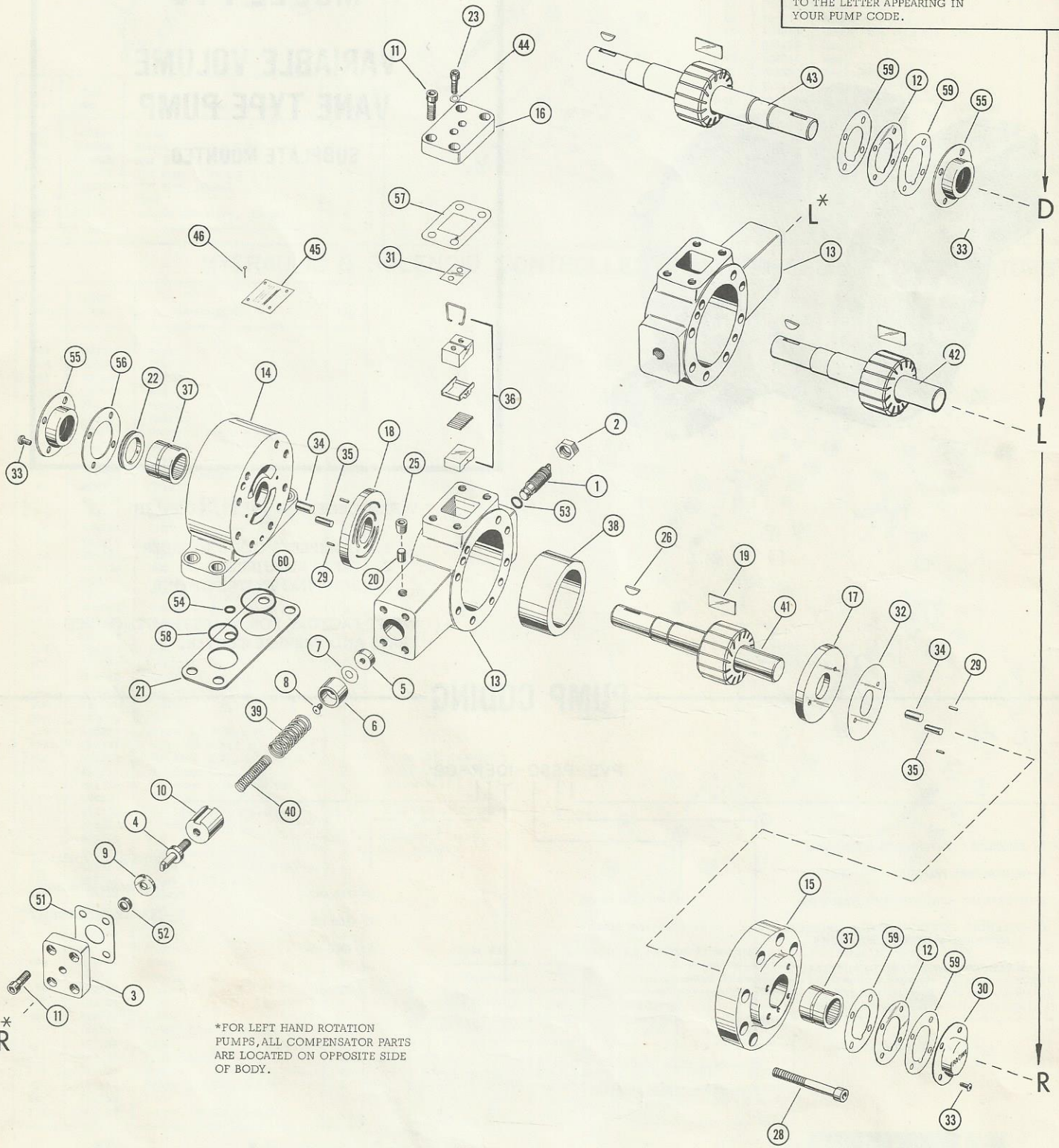
ABOVE STANDARD COMPENSATOR APPEARS ON THIS PAGE. FOR ADDITIONAL COMPENSATORS SEE OPTION PAGE.

B  
C  
E

R  
L  
D

SEE MAIN PARTS LIST FOR AVAILABLE SPRINGS.

SELECT LETTER BELOW WHICH CORRESPONDS TO THE LETTER APPEARING IN YOUR PUMP CODE.



\*FOR LEFT HAND ROTATION PUMPS, ALL COMPENSATOR PARTS ARE LOCATED ON OPPOSITE SIDE OF BODY.

Ref. No.	Part No.	Description	Qty.
1	305917	Screw	1
2	401015	Nut 5/8-18	1
3	221398	Cap	1
4	305914	Screw	1
5	306245	Piston	1
6	306246	Seat	1
7	405219	Shim .002"	As Req'd
7	405220	Shim .005"	As Req'd
8	405228	Screw 1/4-28 x 1/2	1
9	306092	Washer	1
10	306133	Piston - 1000 PSI	1
10	306224	Piston - 500/250 PSI	1
11	400797	Screw 5/16-13 x 5/8	8
12	404907	Washer	1
13	221532	Body - LH	1
13	221394	Body - RH	1
14	221395	Cap	1
14	221550	Cap (Req'd with Journal Bearings)	1
15	221396	Cover	1
15	221549	Cover (Req'd with Journal Bearings)	1
16	221397	Cap	1
17	777187	Cover Plate	1
18	777185	Port Plate RH	1
18	777186	Port Plate LH	1
19	778269	Vanes (Set of 15)	1
20	305923	Pin	1
21	406340	Plate	1
22	305978	Spacer	1
23	400781	Screw 1/4-20 x 5/8	2

Ref. No.	Part No.	Description	Qty.
25	400922	Plug 1/8 N.P.T.F.	1
26	401119	Key (2 Req'd on Double Ended Pump)	2/1
28	402574	Screw 3/8 NC x 3-1/2	8
29	404731	Pin	4
30	404738	Cover	1
31	404739	Shim .002"	As Req'd
31	404740	Shim .003"	As Req'd
31	404741	Shim .005"	As Req'd
32	404742	Shim .001"	As Req'd
32	404743	Shim .0015"	As Req'd
32	404744	Shim .002"	As Req'd
33	404782	Screw 1/4-20 x 3/8	8
34	404836	Pin	2
35	404841	Pin	2
36	777117	Thrust Block	1
37	405207	Bearing	2
37	777365	Journal Bearing	2
38	305913	Ring - 10 GPM	1
38	306152	Ring - 12 GPM	1
39	405129	Spring - 250 PSI	1
39	404748	Spring - 500 PSI	1
40	404904	Spring - 1000 PSI	1
41	305912	Forging - RH	1
42	306242	Forging - LH	1
43	306107	Forging - Double Ended	1
44	490101	Seal	2
45	406777	Nameplate	1
46	401296	Pin	4

An adapter block kit to mount a Silentvane SV-20 pump on a model PV\$ riser is available. Order ADP-S-SV-20 (950103) (Includes adapter block, bolts, and seals.) For installation information, order drawing #724105.

### STANDARD SEAL KIT

722387

KIT CONSISTS OF -			
Ref. No.	Part No.	Description	Qty.
51	404737	Gasket	1
52	404746	Seal 3/16 x 5/8 OD	1
53	401272	"O" Ring 1/16 x 1/2 OD	1
54	402266	"O" Ring 3/32 x 9/16 OD	1
55	404320	Seal (2 Req'd on Double Ended Pump)	1
56	404322	Gasket	1
57	404736	Gasket	1
58	404876	"O" Ring 3/32 x 1-5/16 OD	1
59	404911	Gasket	2
60	405400	"O" Ring 3/32 x 1-5/8 OD	1

USED WITH MINERAL OIL AND WATER BASED FLUIDS.

### VITON SEAL KIT

722388

KIT CONSISTS OF -			
Ref. No.	Part No.	Description	Qty.
51	404737	Gasket	1
52	406804	Seal 3/16 x 5/8 OD	1
53	406269	"O" Ring 1/16 x 1/2 OD	1
54	406636	"O" Ring 3/32 x 9/16 OD	1
55	404321	Seal (2 Req'd on Double Ended Pump)	1
56	404322	Gasket	1
57	404736	Gasket	1
58	406709	"O" Ring 3/32 x 1-5/16 OD	1
59	404911	Gasket	2
60	406711	"O" Ring 3/32 x 1-5/8 OD	1

USED WITH SYNTHETIC FLUIDS (PHOSPHATE ESTER AND HALOGENATED BASE).

### REPAIR PARTS KITS\*

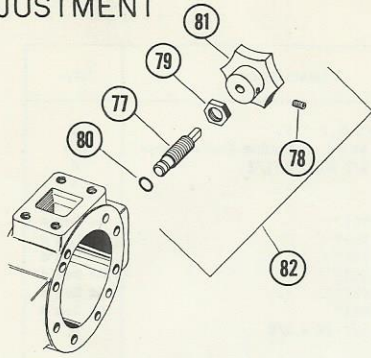
SINGLE SHAFT-RIGHT HAND ROTATION-10 GPM-STANDARD SEALS----- NO. 722506  
 SINGLE SHAFT-LEFT HAND ROTATION-10 GPM-STANDARD SEALS----- NO. 722504  
 SINGLE SHAFT-RIGHT HAND ROTATION-10 GPM-VITON SEALS----- NO. 722507  
 SINGLE SHAFT-LEFT HAND ROTATION-10 GPM-VITON SEALS----- NO. 722502  
 SINGLE SHAFT-RIGHT HAND ROTATION-12 GPM-STANDARD SEALS----- NO. 722505  
 SINGLE SHAFT-LEFT HAND ROTATION-12 GPM-STANDARD SEALS----- NO. 722503  
 SINGLE SHAFT-RIGHT HAND ROTATION-12 GPM-VITON SEALS----- NO. 722508  
 SINGLE SHAFT-LEFT HAND ROTATION-12 GPM-VITON SEALS----- NO. 722509  
 DOUBLE-ENDED SHAFT 10 GPM-STANDARD SEALS----- NO. 722749  
 DOUBLE-ENDED SHAFT 10 GPM-VITON SEALS----- NO. 722748  
 DOUBLE-ENDED SHAFT 12 GPM-STANDARD SEALS----- NO. 722747  
 DOUBLE-ENDED SHAFT 12 GPM-VITON SEALS----- NO. 722746  
 SINGLE SHAFT-RIGHT HAND ROTATION-10 GPM-VITON SEALS-JOURNAL BRG. NO. 723477

\*Each kit contains the following parts:

One pressure ring, one set vanes, all shims, one port plate, one cover plate, two bearings, one shaft and rotor, one thrust block, and one seal kit.

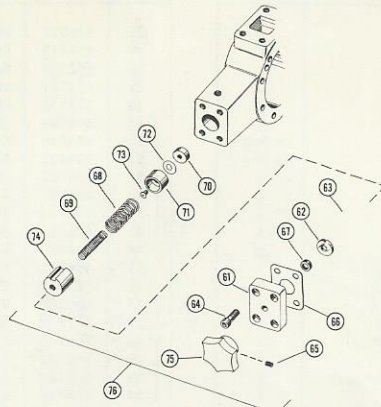
# OPTIONS

## HANDWHEEL VOLUME ADJUSTMENT



Ref. No.	Part No.	Description	Qty.
77	306468	Screw	1
78	400854	Screw 1/4-20 x 3/8	1
79	401015	Nut 5/8-18 V.N.F.	1
80	401272	"O" Ring 1/16 x 1/2 OD	1
80	406269	"O" Ring (Viton)	1
81	404784	Knob	1
82	721161	Volume Adj. Assy. (Buna)	1

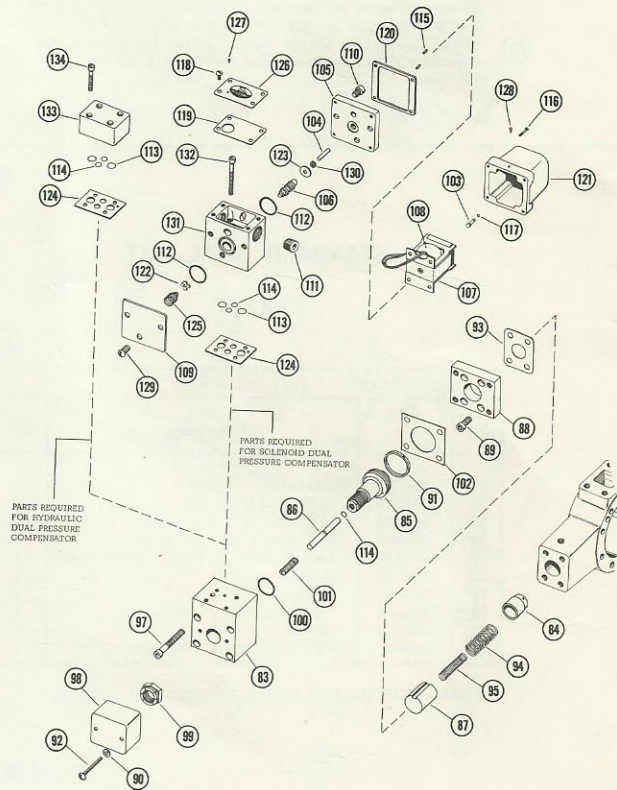
## HANDWHEEL PRESSURE COMPENSATOR



Ref. No.	Part No.	Description	Qty.
61	221398	Cap	1
62	306092	Washer	1
63	306469	Screw	1
64	400797	Screw 5/16-13 x 5/8	4
65	400854	Screw 1/4-20 x 3/8	1
66	400737	Gasket	1
67	400746	Seal	1
67	406804	Seal (Viton)	1
68	405129	Spring - 250 PSI	1
68	404748	Spring - 500 PSI	1
69	404904	Spring - 1000 PSI	1
70	306245	Piston	1
71	306246	Seat	1
72	405219	Shim .002"	As Req'd
72	405220	Shim .005"	As Req'd
73	405228	Screw 1/4-28 x 1/2	1
74	306133	Piston - 1000 PSI	1
74	306224	Piston - 500/250 PSI	1
75	404784	Knob	1
76	721162	Handwheel Press. Comp. Assy.	1

## HYDRAULIC & SOLENOID CONTROLLED DUAL PRESSURE COMPENSATORS

Ref. No.	Part No.	Description	Qty.
83	221967	Body	1
84	305915	Piston	1
85	307361	Piston	1
86	307364	Ram	1
87	307365	Piston	1
88	307366	Adapter	1
89	400798	Screw 5/16-18 x 3/4	4
90	400913	Washer	2
91	401100	Ring	1
92	406200	Screw #10-24 x 2	2
93	404737	Gasket	1
94	405129	Spring - 250 PSI	1
94	404748	Spring - 500 PSI	1
95	404904	Spring - 1000 PSI	1
97	405110	Screw 5/16-18 x 2-3/4	4
98	406199	Cover	1
99	405850	Nut 7/8-14	1
100	405974	"O" Ring 1/8 x 1-3/16 OD	1
100	406587	"O" Ring (Viton)	1
101	406008	Screw 7/16-20 x 1-1/4	1
102	406624	Gasket	1
103	306693	Pin	1
104	306933	Pin	1
105	307036	Cap	1
106	307050	Spool	1
107	Table#1	Solenoid	1
108	Table#1	Coil	1
109	307363	Cap	1
110	400801	Screw 5/16-24 x 1/2	3
111	400932	Plug 1/2 N.P.T.F.	1
112	401253	"O" Ring 1/8 x 1-3/16 OD	2
112	406271	"O" Ring (Viton)	2
113	401272	"O" Ring 1/16 x 1/2 OD	2
113	406269	"O" Ring (Viton)	2
114	401273	"O" Ring 1/16 x 3/8 OD	2/3
114	406270	"O" Ring (Viton)	3
115	402265	Pin	2
116	403668	Screw 8-32 x 13/16	4
117	404186	"O" Ring .040 x 3/16 OD	1
118	405514	Screw 8-32 x 1/2	4
119	405613	Gasket	1
120	405615	Gasket	1
121	777607	Cover	1
122	405618	Seat	1
123	405619	Retainer	1
124	405621	Plate	1
125	405727	Spring	1
126	406012	Plate	1
127	405821	Rivet	1
128	405822	Rivet	1
129	406535	Screw 5/16-24 x 3/8	3
130	777293	Seal	1
130	777454	Seal (Viton)	1
131	777395	Body	1
132	401882	Screw 1/4-20 x 2-1/4	4
133	221806	Cap	1
134	403886	Screw 1/4-20 x 1-1/2	4



COMPLETE COMPACT VALVE ASSEMBLY NO. 655101

ADAPTOR ASSEMBLY TO CHANGE TO COMPACT VALVE NO. 723383

TABLE #1

AC Solenoids		
Complete Solenoid (107)	Coil only (108)	AC Voltage
405622	405631	115/60
405624	405632	230/60
405625	405633	460/60
406106	406108	110/50
406107	406109	220/50

TABLE #1 (cont'd)

Oil Immersed Solenoids		
Complete Solenoid (107)	Coil	AC Voltage
407374		115/60
407375	Coil	230/60
407376	Not	460/60
407377	Available	115/50
407378		230/50

COMPLETE ASSEMBLIES (Buna 'N' Seals)

Hydraulic 2 Pressure 500 psi ----#956015  
Hydraulic 2 Pressure 1000 psi ---#956016  
Solenoid 2 Pressure -----#956017

\* INCLUDES REFERENCE NO. 103, 116, 117, 121, 123.