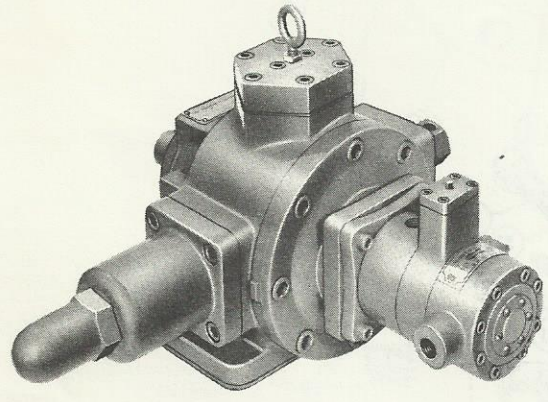




fluid power products

# REPAIR PARTS

## MODEL PVR-Q COMBINATION VANE TYPE PUMP

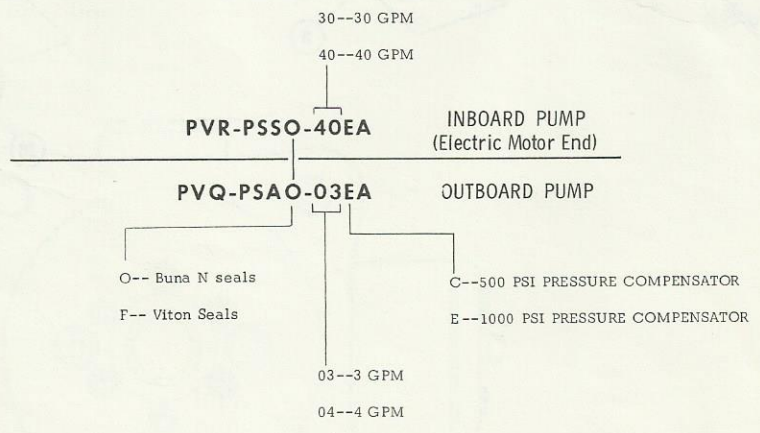


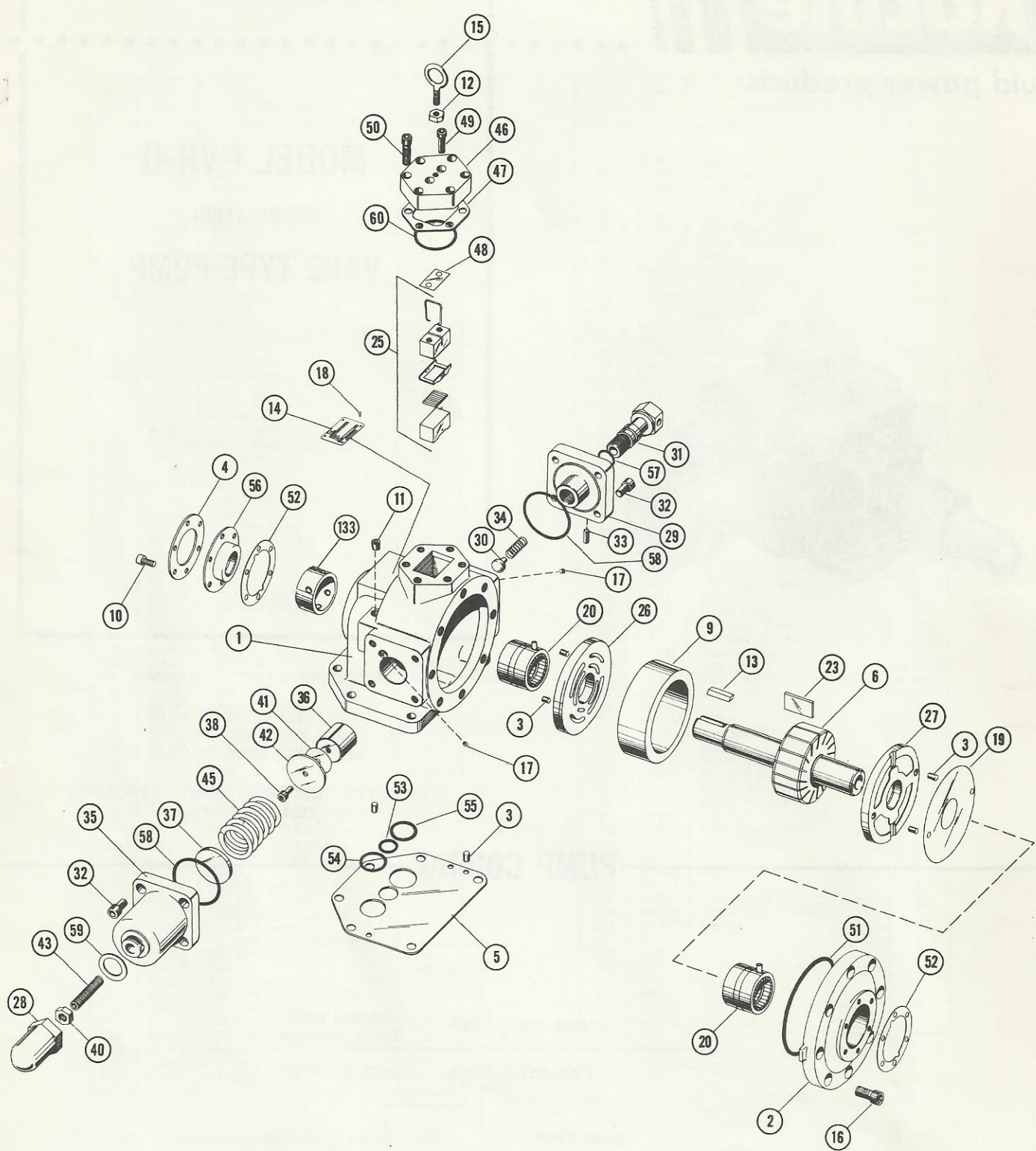
WHEN ORDERING PARTS, FURNISH:

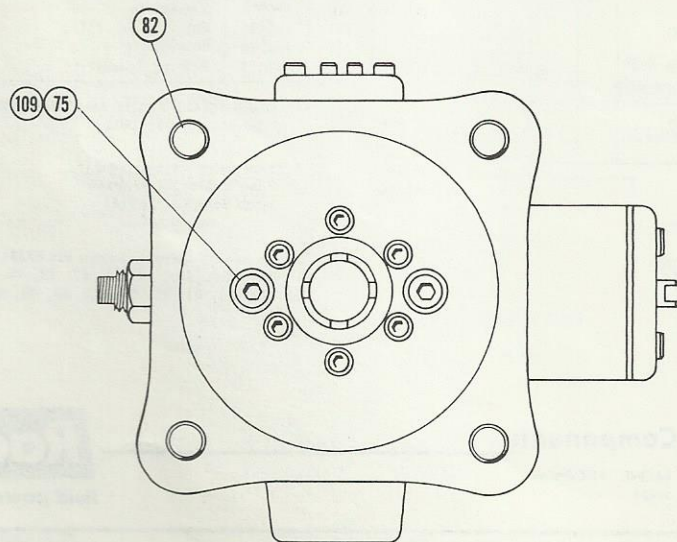
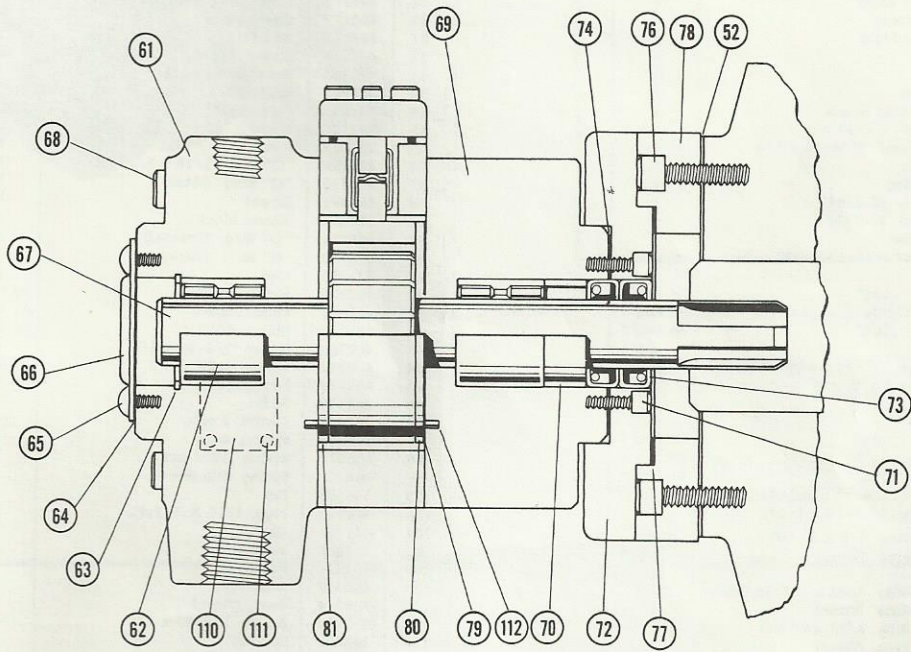
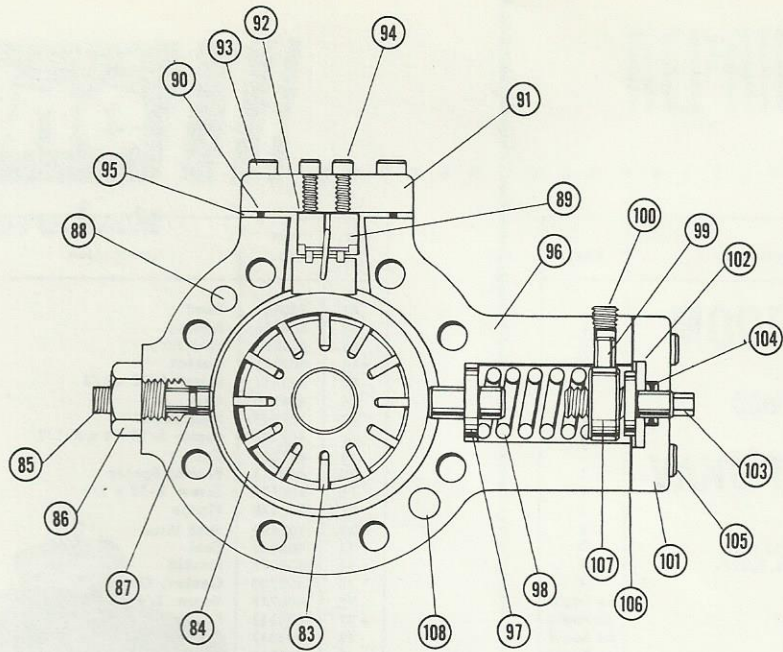
1. COMPLETE CODE NUMBER
2. PARTS REQUIRED
3. SHIPPING INSTRUCTIONS

WRITE FACTORY FOR NEAREST AUTHORIZED PARTS AND SERVICE CENTER.

### PUMP CODING







Ref. No.	Part No.	Description	Qty.
1	221551	Body	1
2	260050	Cover	1
3	301142	Pin	6
4	403743	Washer	1
5	305531	Plate	1
6	307550	Forging	1
9	305788	Ring	1
10	400682	Screw	6
11	400928	Plug 1/4 N.P.T.F.	1
12	401024	Nut	1
13	405916	Key	1
14	406777	Nameplate	1
15	401873	Eyebolt	1
16	402672	Screw 5/8-11 x 1	8
17	400925	Plug 1/16 N.P.T.F.	2
18	401296	Pin	4
19	403596	Shim .001"	As Req'd
19	403597	Shim .0015"	As Req'd
19	403598	Shim .002"	As Req'd
19	403599	Shim .003"	As Req'd
20	777994	Bearing	2
23	405436	Vanes (Set of 17)	1
25	723039	Thrust Block	1
26	777170	Port Plate	1
27	777172	Cover Plate	1
28	220519	Cap	1
29	221215	Cap	1
30	305549	Button	1
31	306353	Adjusting Screw	1
32	400826	Screw 1/2-13 x 1	8
33	400866	Setscrew 5/16-18 x 3/4	1
34	401524	Spring	1
35	220748	Housing	1
36	306734	Piston 30 GPM	1
36	306358	Piston 40 GPM	1
37	400578	Washer	1
38	405857	Screw 5/16-18 x 5/8"	1
40	401015	Nut	1
41	404073	Shim .002"	As Req'd
41	404074	Shim .003"	As Req'd
41	405379	Shim .005"	As Req'd
42	404786	Stop	1
43	404908	Screw 5/8-18 x 3	1
45	405579	Spring - 1000 psi	1
46	221562	Cap	1
47	306307	Plate	1
48	401819	Shim .003"	As Req'd
48	401820	Shim .005"	As Req'd
48	401821	Shim .010"	As Req'd
49	400804	Screw 3/8-16 x 1-1/4	2
50	400821	Screw 7/16-14 x 1-1/2	6
*51	401287	"O" Ring 1/8 x 6" OD	1
*51	406517	"O" Ring (Viton)	1
52	401846	Gasket	2
*53	403292	"O" Ring 3/32 x 1-3/16 OD	1
53	406191	"O" Ring (Viton)	1
*54	404099	"O" Ring 3/32 x 2" OD	1
54	406514	"O" Ring (Viton)	1
*55	404100	"O" Ring 3/32 x 1-3/4 OD	1
55	406513	"O" Ring (Viton)	1
*56	404218	Seal	1
56	404227	Seal (Viton)	1
*57	401269	"O" Ring 1/8 x 1-1/4 OD	1
57	406267	"O" Ring (Viton)	1
*58	401281	"O" Ring 1/8 x 3-1/2 OD	2
58	406510	"O" Ring (Viton)	2
59	401074	Gasket	1
*60	402200	"O" Ring 1/8 x 3-1/4 OD	1
60	406512	"O" Ring (Viton)	1

Ref. No.	Part No.	Description	Qty.
61	220993	Head	1
62	405206	Bearing	2
63	402993	Snap Ring	1
*64	402325	Gasket	1
65	401611	Screw 8-32 x 1/4	6
66	406910	Cap	1
67	307547	Shaft Rotor	1
68	403122	Screw 5/16-18 x 3-1/2	8
69	221101	Cap	1
70	305014	Bearing Spacer	1
71	400772	Screw 8-32 x 5/8	6
72	221478	Flange	1
*73	403462	Seal Viton	2
*73	400669	Seal	1
*74	308079	Gasket	2
*75	400200	Gasket, Copper	2
76	400778	Screw 1/4-20 x 1"	6
*77	405149	Gasket	1
78	306037	Adapter	1
79	402319	Shim .001"	As Req'd
79	402320	Shim .0015"	As Req'd
79	402321	Shim .002"	As Req'd
79	404779	Shim .003"	As Req'd
80	290177	Cover plate	1
81	307263	Port Plate	1
82	400808	Screw 3/8-24 x 1"	4
83	406153	Vane (set of 12)	1
84	303967	Ring 3 gal.	1
84	304647	Ring 4 gal.	1
85	304518	Screw	1
86	401013	Nut	1
*87	401279	"O" Ring 1/16 x 5/16 OD	1
87	406218	"O" Ring (Viton)	1
88	404841	Dowel	2
89	777184	Thrust Block	1
*90	405231	"O" Ring (Special)	1
90	406713	"O" Ring (Viton)	1
91	221299	Cap	1
92	402316	Shim .002"	As Req'd
92	402317	Shim .003"	As Req'd
92	402318	Shim .005"	As Req'd
93	400780	Screw 1/4-20 x 3/4	4
94	400772	Screw 8-32 x 5/8	2
95	405230	Seal Plate	1
96	221139	Body	1
97	304810	Piston 3 gal.	1
97	305212	Piston 4 gal.	1
98	405877	Spring 1000 psi	1
98	406171	Spring 500 psi	1
99	306886	Pin	1
100	400925	Plug 1/16 N.P.T.F.	1
101	221310	Cap	1
102	304836	Washer	1
103	304834	Screw	1
*104	403413	Seal	1
104	406794	Seal (Viton)	1
105	400784	Screw 1/4-20 x 1/2	4
106	404207	Gasket	1
107	304835	Seat	1
108	404836	Dowel	2
109	400797	Screw 5/16-18 x 5/8	2
110	406778	Nameplate	1
111	401296	Pin	4
112	402386	Roll Pin	4
113	491475	Bearing Spacer**	1

\*\* ADDED TO ALL PUMPS MANUFACTURED  
AFTER MARCH 30, 1973

\* These parts are included in:  
Buna N Seal Kit #723166  
Viton Seal Kit #723167

3 gpm Buna N Q-pump Repair Kit #723196  
includes Ref. No. 62, 64, 67, 73, 74, 75,  
77, 79, 80, 81, 83, 84, 87, 89, 90, 92, 104