

# Racine

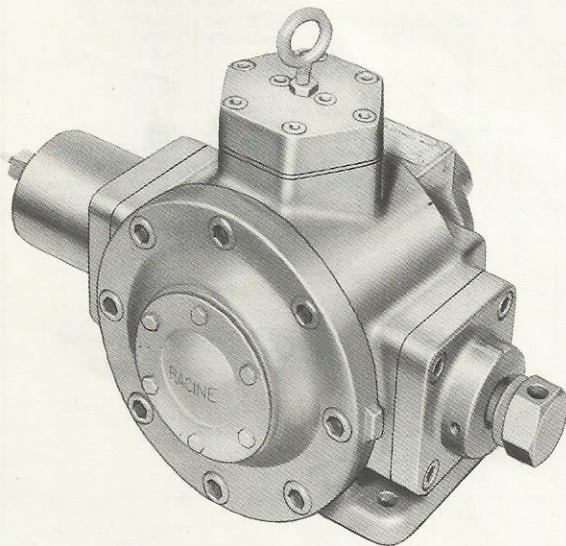
fluid power products

## REPAIR PARTS

### MODEL PVR

### VARIABLE VOLUME VANE TYPE PUMP

SUBPLATE MOUNTED



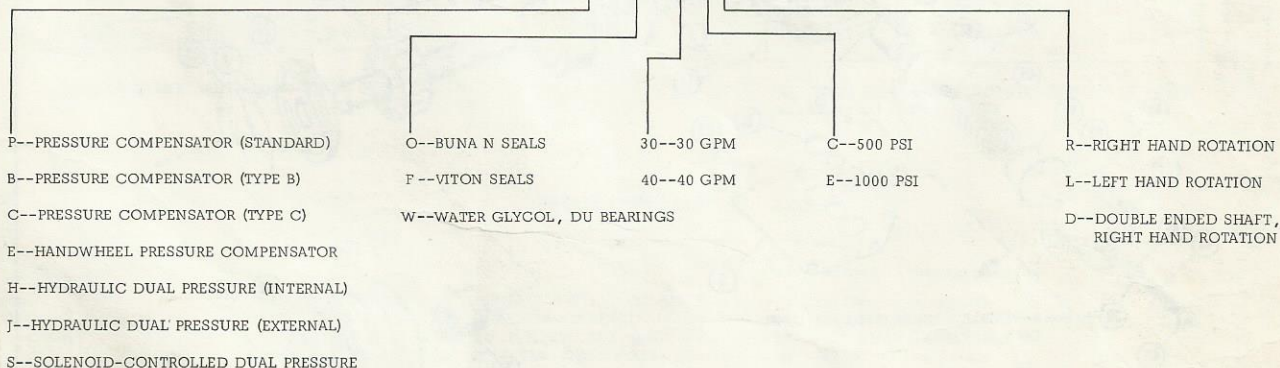
WHEN ORDERING PARTS, FURNISH:

1. COMPLETE CODE NUMBER
2. PARTS REQUIRED
3. SHIPPING INSTRUCTIONS

WRITE FACTORY FOR NEAREST AUTHORIZED  
PARTS AND SERVICE CENTER.

## PUMP CODING

PVR-PSSO-40ER-01



BULLETIN 10.10-01

FEBRUARY 1975

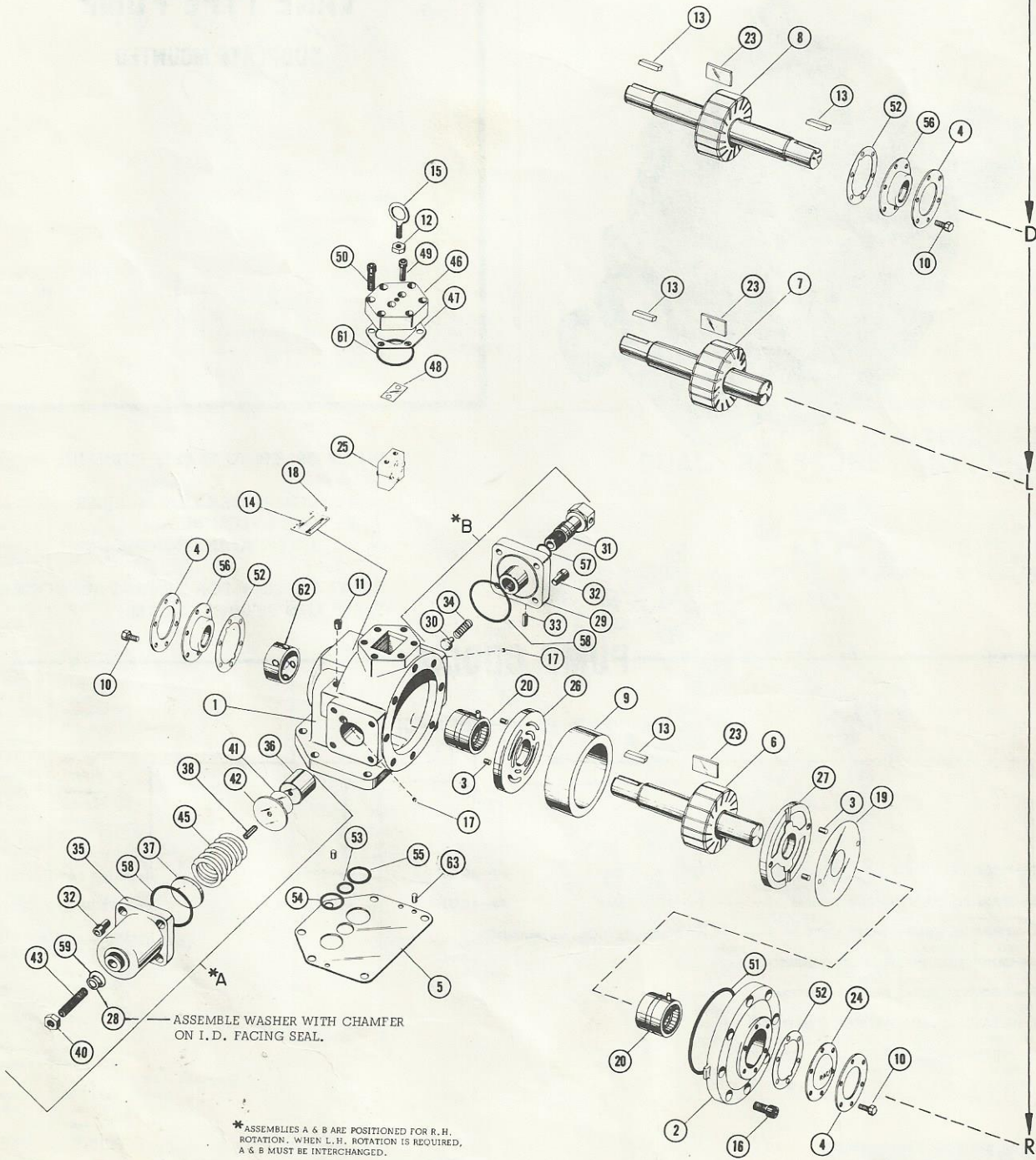
Copyright © 1979 by Rexnord Inc.

PVR-PSS0-30\*\* \*-01

40  
E C  
ABOVE STANDARD COMPENSATOR  
APPEARS ON THIS PAGE. FOR  
ADDITIONAL COMPENSATORS SEE  
OPTION PAGE.

SEE MAIN PARTS LIST  
FOR AVAILABLE SPRINGS.

SELECT LETTER BELOW  
WHICH CORRESPONDS  
TO THE LETTER APPEARING  
IN YOUR PUMP CODE.



Ref. No.	Part No.	Description	Qty.
1	221551	Body	1
2	260050	Cover	1
3	301142	Pin	4
4	403743	Washer	2
5	305531	Plate	1
6	305782	Forging - RH	1
7	305801	Forging - LH	1
8	305838	Forging - Double Ended	1
9	305788	Ring	1
**9	308138	Special 50 GPM Ring	1
10	400682	Screw 1/4 x 5/8	12
11	400928	Plug 1/4 N.P.T.F.	1
12	401024	Nut	1
13	405916	Key (2 Req'd on Double Ended Pump)	2/1
14	406777	Nameplate	1
15	401873	Bolt	1
16	402672	Screw 5/8-11 x 1	8
17	400925	Plug 1/16 N.P.T.F.	2
17	405420	Orifice Plug .040	1
18	401296	Pin	4
19	403596	Shim .001"	As Req'd
19	403597	Shim .0015"	As Req'd
19	403598	Shim .002"	As Req'd
19	403599	Shim .003"	As Req'd
20	777994	Bearing	2
20	777360	Journal Bearing	2
23	778274	Vanes (Set of 17)	1
24	405987	Cap	1
25	723039	Thrust Block	1
26	777170	Port Plate - RH	1
26	777171	Port Plate - LH	1

\*\* Consult Factory for use

Ref. No.	Part No.	Description	Qty.
27	777172	Cover Plate	1
28	491405	Washer	1
29	221215	Cap	1
30	305549	Button	1
31	306353	Screw	1
32	400826	Screw 1/2 x 1	8
33	400866	Set Screw 5/16-18 x 3/4	1
34	401524	Spring	1
35	220748	Housing	1
36	306358	Piston 40 GPM	1
36	306734	Piston 30 GPM	1
37	400578	Washer	1
38	401724	Roll Pin	1
40	401015	Nut	1
41	404073	Shim .002"	As Req'd
41	404074	Shim .003"	As Req'd
41	405379	Shim .005"	As Req'd
42	404786	Stop	1
43	404908	Screw 5/8-18 x 3	1
45	405579	Spring - 1000 PSI	1
45	405578	Spring - 500 PSI	1
45	401590	Spring - Type B	1
45	401589	Spring - Type C	1
46	221562	Cap	1
46	222712	Cap with 1/2" NPT Dr. Port	1
47	306307	Plate	1
48	401819	Shim .003"	As Req'd
48	401820	Shim .005"	As Req'd
48	401821	Shim .010"	As Req'd
48	405468	Shim .015"	As Req'd
49	400804	Screw 3/8-16 x 1-1/4	2
50	400821	Screw 7/16-14 x 1-1/2	6
*62	491475	Bearing Spacer	1
63	403308	Roll Pin	2

\*Added to all pumps after 3/30/73

**BUNA N SEAL KIT  
722393**

KIT CONSISTS OF -

Ref. No.	Part No.	Description	Qty.
28	491405	Washer	1
51	401287	"O" Ring 1/8 x 6-1/4 OD	1
52	401846	Gasket	2
53	403292	"O" Ring 3/32 x 1-3/16 OD	1
54	404099	"O" Ring 3/32 x 2" OD	1
55	404100	"O" Ring 3/32 x 1-3/4 OD	1
56	404218	Seal (2 Req'd on Double Ended Pump)	1
57	401269	"O" Ring 1/8 x 1-1/4 OD	1
58	401281	"O" Ring 1/8 x 3-1/2 OD	2
59	491372	Thread Seal	1
61	402200	"O" Ring 1/8 x 3-1/4 OD	1

USED WITH MINERAL OIL AND WATER BASED FLUIDS.

**VITON SEAL KIT  
722394**

KIT CONSISTS OF -

Ref. No.	Part No.	Description	Qty.
28	491405	Washer	1
51	406517	"O" Ring 1/8 x 6-1/4 OD	1
52	401846	Gasket	2
53	406191	"O" Ring 3/32 x 1-3/16 OD	1
54	406514	"O" Ring 3/32 x 2" OD	1
55	406513	"O" Ring 3/32 x 1-3/4 OD	1
56	404227	Seal (2 Req'd on Double Ended Pump)	1
57	406267	"O" Ring 1/8 x 1-1/4 OD	1
58	406510	"O" Ring 1/8 x 3-1/2 OD	2
59	491404	Thread Seal	1
61	406512	"O" Ring 1/8 x 3-1/4 OD	1

USED WITH SYNTHETIC FLUIDS (PHOSPHATE ESTER AND HALOGENATED BASE).

**\* REPAIR PARTS KITS**

Needle Bearing      Journal Bearing

SINGLE SHAFT-RIGHT HAND ROTATION-STANDARD SEALS-----NO. 722488 ----- 723398  
 SINGLE SHAFT-LEFT HAND ROTATION-STANDARD SEALS-----NO. 722487 ----- 723399  
 SINGLE SHAFT-RIGHT HAND ROTATION-VITON SEALS-----NO. 722489 ----- 723400  
 SINGLE SHAFT-LEFT HAND ROTATION-VITON SEALS-----NO. 722486 ----- 723401  
 DOUBLE ENDED SHAFT-STANDARD SEALS-----NO. 722762 ----- 723402  
 DOUBLE ENDED SHAFT-VITON SEALS-----NO. 722763 ----- 723403

\*Each kit contains the following parts:

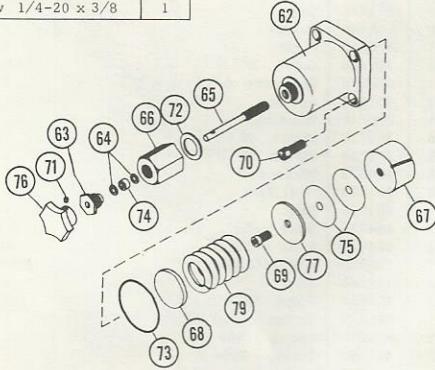
One pressure ring, one set vanes, all shims, one port plate, one cover plate, two bearings, one thrust block assembly, one shaft and rotor, and one seal kit.

# OPTIONS

Ref. No.	Part No.	Description	Qty.
62	220748	Housing	1
63	301166	Nut	1
64	301350	Washer	2
65	305091	Screw	1
66	305092	Box	1
67	306358	Piston	1
68	400578	Washer	1
69	405857	Screw 5/16-18 x 5/8	1
70	400826	Screw 1/2-13 x 1	4
71	400854	Screw 1/4-20 x 3/8	1

## HANDWHEEL PRESSURE COMPENSATOR

Complete Assembly  
 30 GPM Buna 956038  
 30 GPM Viton 956039  
 40 GPM Buna 956040  
 40 GPM Viton 956041



Ref. No.	Part No.	Description	Qty.
72	401074	Gasket	1
73	401281	"O" Ring 1/8 x 3-1/2 OD	1
73	406510	"O" Ring (Viton)	1
74	404746	Seal	2
75	404073	Shim .002"	As Req'd
75	404074	Shim .003"	As Req'd
75	405379	Shim .005"	As Req'd
76	404784	Handwheel	1
77	404786	Stop	1
79	405579	Spring	1

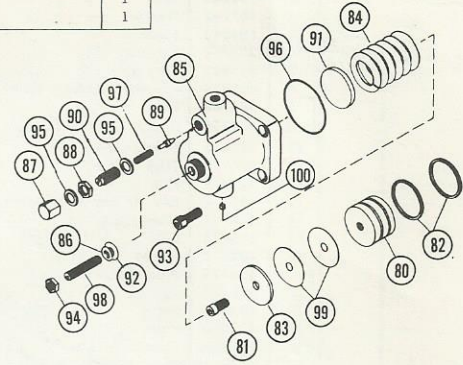
SEE MAIN PARTS LIST FOR AVAILABLE SPRINGS (REFERENCE # 45)

Ref. No.	Part No.	Description	Qty.
80	306736	Piston - 40 GPM	1
80	306735	Piston - 30 GPM	1
81	405857	Screw 5/16-18 x 5/8	1
82	401105	Ring	2
83	404786	Stop	1
84	405578	Spring	1
85	220031	Housing	1
86	491500	Washer*	1
87	301161	Cap	1
88	301162	Nut	1
89	305873	Poppet	1
90	305963	Screw	1

## HYDRAULIC DUAL PRESSURE COMPENSATOR

Complete Assembly  
 30 GPM Buna 956006  
 30 GPM Viton 956042  
 40 GPM Buna 956005  
 40 GPM Viton 956043

\*Assemble washer with chamfer on I.D. facing seal.

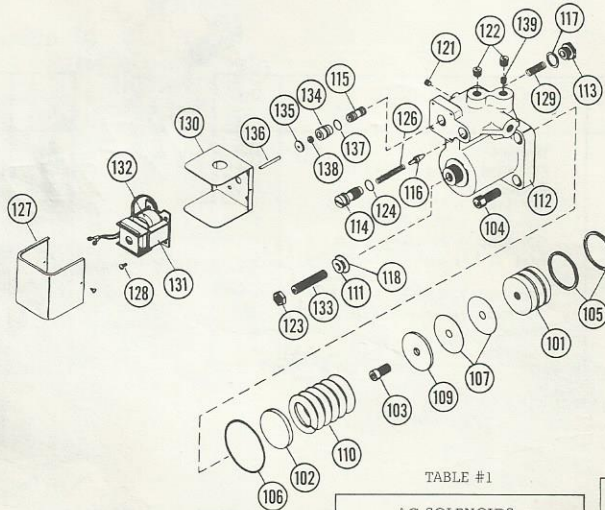


Ref. No.	Part No.	Description	Qty.
91	400578	Seat	1
92	491498	Thread Seal	1
93	400826	Screw 1/2-13 x 1	4
94	401013	Nut 1/2-20 U.N.F.	1
95	401083	Gasket	2
96	401281	"O" Ring 1/8 x 3-1/2 OD	1
96	406510	"O" Ring (Viton)	1
97	401489	Spring	1
98	403476	Screw 1/2-20 x 2-1/2	1
99	404073	Shim .002"	As Req'd
99	404074	Shim .003"	As Req'd
100	405420	Orifice Plug	1

## SOLENOID CONTROLLED DUAL PRESSURE COMPENSATOR

Complete Assembly  
 30 GPM Buna 956009  
 30 GPM Viton 956044  
 40 GPM Buna 956007  
 40 GPM Viton 956008

Ref. No.	Part No.	Description	Qty.
101	306736	Piston 40 GPM	1
101	306735	Piston 30 GPM	1
102	400578	Seat	1
103	405857	Screw 5/16-18 x 5/8	1
104	400826	Screw 1/2-13 x 1/2	4
105	401105	Ring	2
106	401281	"O" Ring 1/8 x 3-1/2 OD	1
106	406510	"O" Ring (Viton)	1
107	404073	Shim .002"	As Req'd
107	404074	Shim .003"	As Req'd
109	404786	Stop	1
110	405578	Spring	1
111	491500	Washer*	1
112	220718	Housing	1
113	302310	Seat	1
114	302431	Screw	1
115	304439	Piston	1
116	305873	Poppet	1
117	400247	Gasket	1
118	491498	Thread Seal	1
121	400925	Plug 1/16 N.P.T.F.	1
122	400928	Plug 1/4 N.P.T.F.	2
123	401013	Nut 1/2-20 U.N.F.	1
124	401271	"O" Ring 3/32 x 3/4 OD	1
124	406518	"O" Ring (Viton)	1
126	401485	Spring	1
127	401800	Cover	1
128	402208	Screw #10-32 x 1/2	4
129	405445	Spring	1
130	402663	Base	1
131	Table#1	Solenoid	1
132	Table#1	Coil	1
133	403476	Screw 1/2-20 x 2-1/2	1
134	304639	Guide	1
135	304640	Retainer	1
136	304641	Push Pin	1
137	401277	"O" Ring 3/32 x 11/16 OD	1
137	406478	"O" Ring (Viton)	1
138	402917	Seal 5/32 x 3/8 OD	1
138	406092	Seal (Viton)	1
139	405420	Orifice Plug	1



\*Assemble washer with chamfer on I.D. facing seal.

TABLE #1

AC SOLENOIDS		
Complete Solenoid (131)	Coil Only (132)	AC Voltage
400991	401662	115/60
400992	401663	230/60
400993	401664	440/60
403158	403772	115/50
402953	403975	220/50
406030	404711	440/50

TABLE #1 (cont'd)

DC SOLENOIDS		
Complete Solenoid (131)	Coil Only (132)	DC Voltage
403294	403427	6
403233	404044	12
402570	405671	24
405719	405720	90
403006		125
402447	403353	220
402448	403479	250

**Rexnord** Hydraulic Components Division

RACINE, WISCONSIN 53401

**Racine** fluid power products