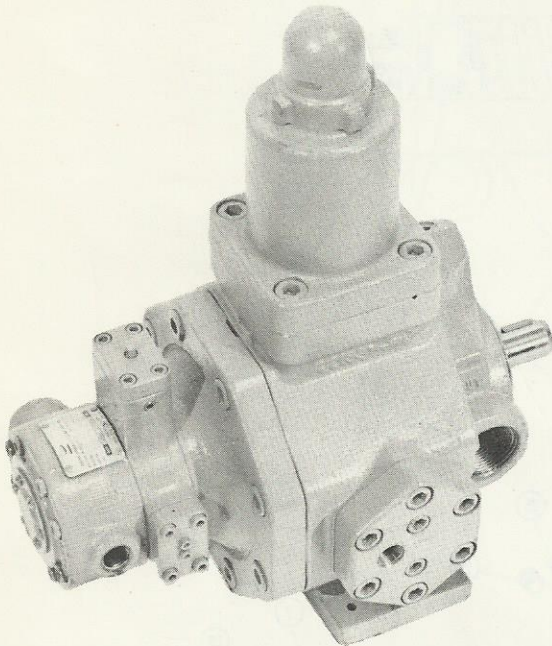


Racine

fluid power products

REPAIR PARTS



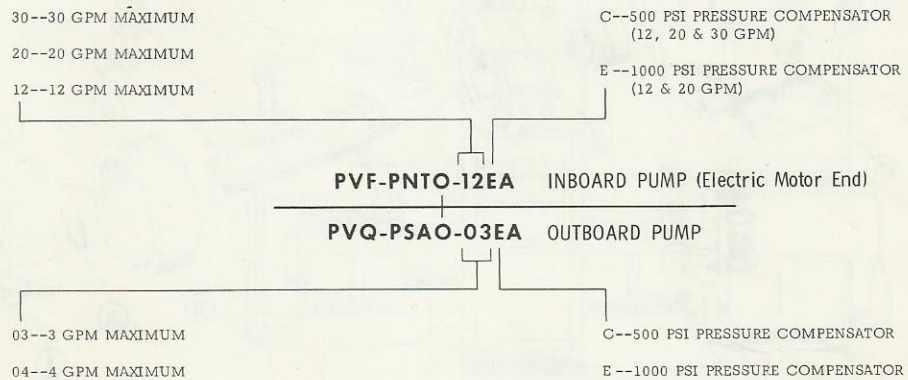
MODEL PVF-Q COMBINATION VANE TYPE PUMP

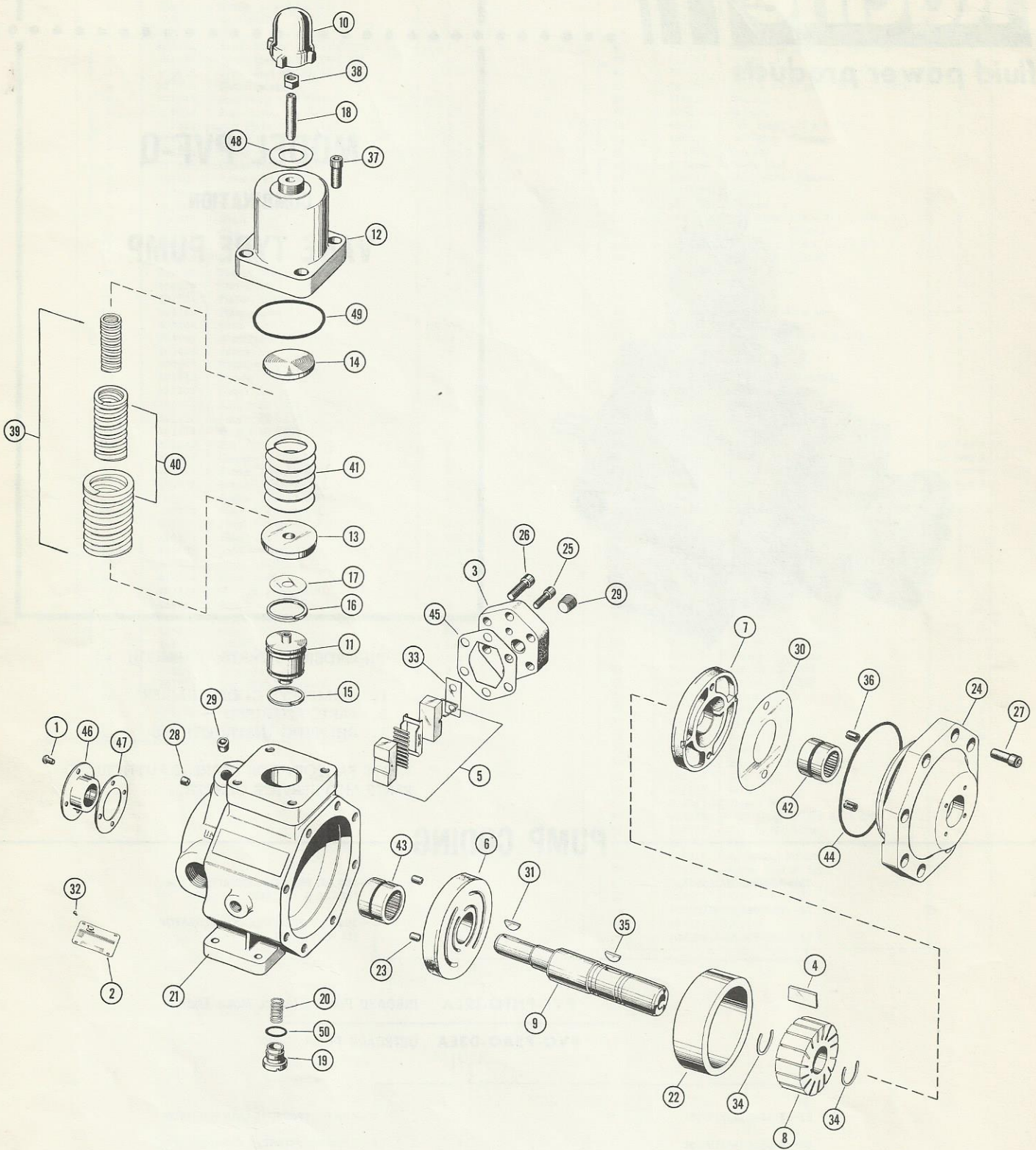
WHEN ORDERING PARTS, FURNISH:

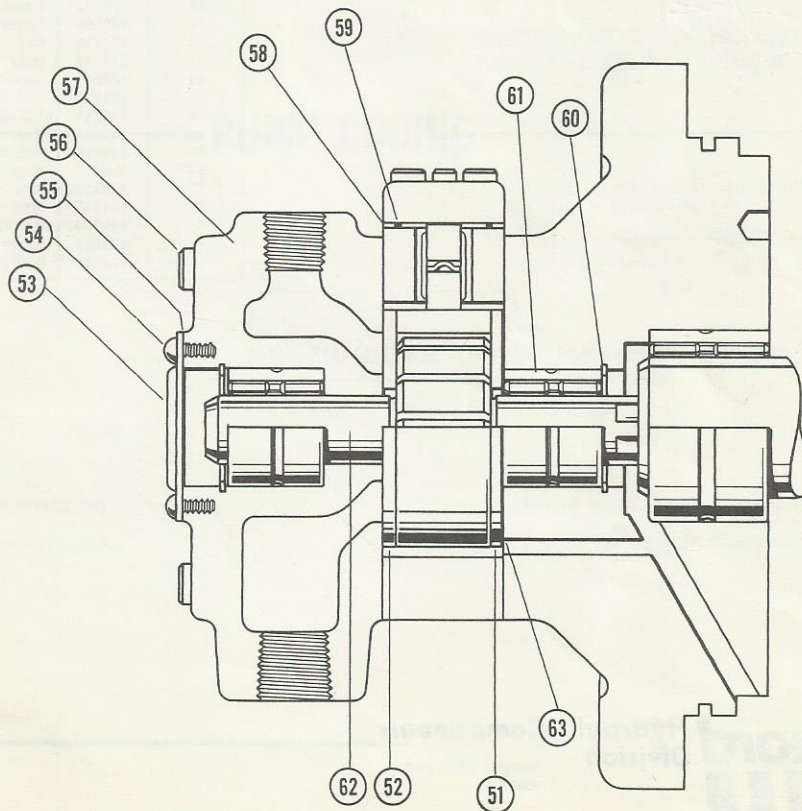
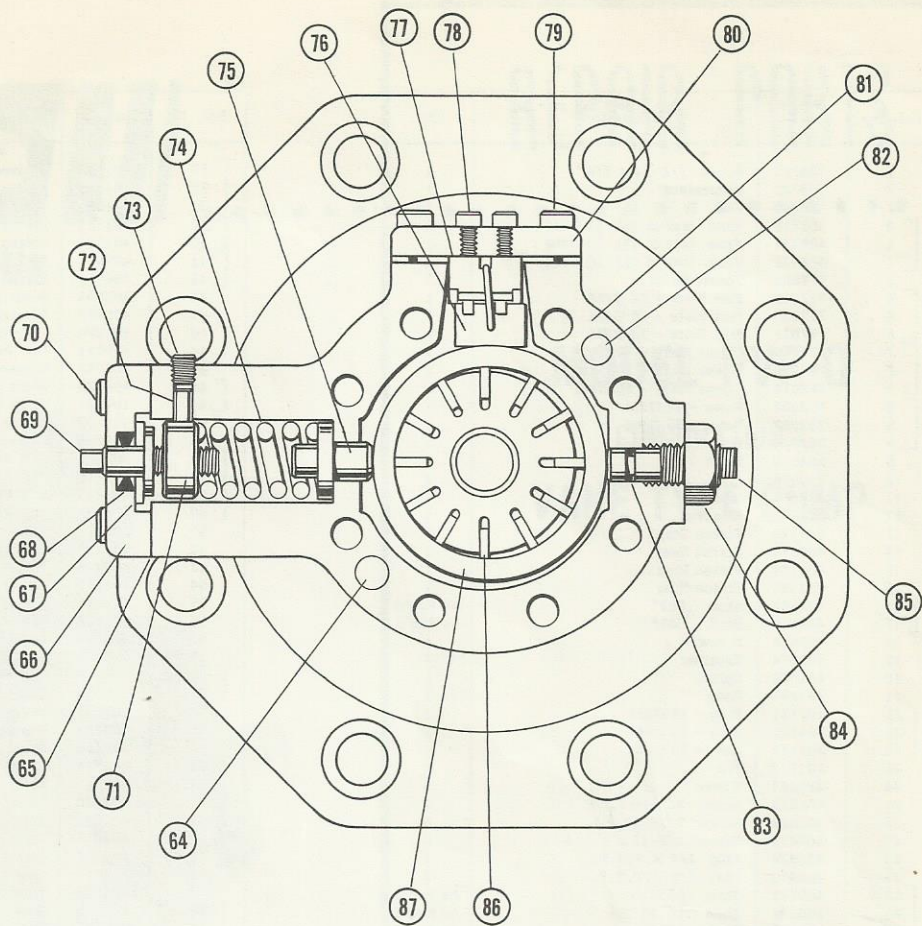
1. COMPLETE CODE NUMBER
2. PARTS REQUIRED
3. SHIPPING INSTRUCTIONS

WRITE FACTORY FOR NEAREST AUTHORIZED PARTS AND SERVICE CENTER.

PUMP CODING







Ref. No.	Part No.	Description	Qty.
1	404782	Screw 1/4-20 x 3/8	4
2	406780	Nameplate	1
3	220515	Cap	1
4	405433	Vane (set of 15) 12 GPM	1
4	405434	Vane (set of 15) 20 GPM	1
4	405435	Vane (set of 15) 30 GPM	1
5	777000	Thrust Block	1
6	777029	Port Plate - 12 GPM	1
6	777030	Port Plate - 20 GPM	1
6	777031	Port Plate - 30 GPM	1
7	777089	Cover Plate - 12 GPM	1
7	777090	Cover Plate - 20 GPM	1
7	777091	Cover Plate - 30 GPM	1
8	302002	Rotor - 12 GPM	1
8	302003	Rotor - 20 GPM	1
8	302004	Rotor - 30 GPM	1
9	304575	Shaft	1
10	220034	Cap	1
11	220056	Piston	1
12	220516	Housing	1
13	301148	Piston Stop	1
14	400578	Spring Seat	1
15	401104	Piston Ring	1
16	401105	Piston Ring	1
17	404544	Shim .003"	As Req'd
17	404545	Shim .005"	As Req'd
18	403476	Screw	1
19	302674	Retainer	1
20	401524	Spring	1
21	221337	Body	1
22	301131	Ring - 12 GPM	1
22	301132	Ring - 20 GPM	1
22	301133	Ring - 30 GPM	1
23	301142	Pin	2
24	220994	Cover	1
25	400813	Screw 3/8-16 x 7/8	2
26	400822	Screw 7/16-14 x 1	6
27	400825	Screw 1/2-13 x 1-1/4	8
28	400928	Plug 1/4 N.P.T.F.	1
29	400930	Plug 3/8 N.P.T.F.	2
30	400591	Shim .001"	As Req'd
30	400592	Shim .0015"	As Req'd
30	400593	Shim .002"	As Req'd
30	400594	Shim .003"	As Req'd
31	401119	Key (#11 Woodruff)	1
32	401296	Screw	4
33	401819	Shim .003"	As Req'd
33	401820	Shim .005"	As Req'd
33	401821	Shim .010"	As Req'd
33	405468	Shim .0015"	As Req'd
34	401847	Retainer	2
35	401871	Key (#11 Woodruff)	1
36	403308	Roll Pin	2
37	400826	Screw 1/2-13 x 1	4
38	401013	Nut 1/2-20	1

Ref. No.	Part No.	Description	Qty.
39	401551	Spring	1
39	401583	Spring	1
39	401591	Spring	1
40	401581	Spring	1
40	401591	Spring	1
41	405579	Spring - 1000 psi - 20 GPM	1
41	405578	Spring - 500 psi - 20 & 30 GPM	1
42	405066	Bearing	1
43	405067	Bearing	1
44	401274	"O" Ring 1/8 x 6 OD	1
44	406511	"O" Ring (Viton)	1
45	401842	Gasket	1
46	404320	Shaft Seal	1
46	404321	Shaft Seal (Viton)	1
47	404322	Gasket	1
48	400579	Gasket	1
49	401281	"O" Ring 1/8 x 3-1/2 OD	1
49	406510	"O" Ring (Viton)	1
50	401251	"O" Ring 1/8 x 1-1/8 OD	1
50	406094	"O" Ring (Viton)	1
51	290177	Cover Plate	1
52	307263	Port Plate	1
53	406910	Plate	1
54	401611	Screw 8-32 x 1/4	6
55	402325	Gasket	1
56	403122	Screw 5/16-18 x 3-1/2	8
57	220993	Head	1
58	405230	Seal Plate	1
59	405231	"O" Ring (Molded)	1
59	406713	"O" Ring (Viton)	1
60	402993	Snap Ring	2
61	405206	Bearing	2
62	307466	Shaft	1
63	404779	Shim .003"	As Req'd
63	402319	Shim .001"	As Req'd
63	402320	Shim .0015"	As Req'd
63	402321	Shim .002"	As Req'd
64	404836	Dowel Pin	2
65	404207	Gasket	1
66	221310	Cap	1
67	304836	Washer	1
68	403413	Seal	1
68	406794	Seal (Viton)	1
69	304834	Adjusting Screw	1
70	400784	Screw 1/4-20 x 1/2	4
71	304835	Spring Seat	1
72	306886	Pin	1
73	400925	Plug 1/16 N.P.T.F.	1
74	405877	Spring - 1000 psi	1
74	406171	Spring - 500 psi	1
75	304810	Piston - 3 GPM	1
75	305212	Piston - 4 GPM	1
76	777184	Thrust Block	1
77	402316	Shim .002"	As Req'd
77	402317	Shim .003"	As Req'd
77	402318	Shim .005"	As Req'd
78	400772	Screw 8-32 x 5/8"	2
79	400780	Screw 1/4-20 x 3/4"	4
80	221299	Cap	1
81	221139	Body	1
82	404841	Dowel Pin	2
83	401279	"O" Ring 1/16 x 5/16 OD	1
83	406218	"O" Ring (Viton)	1
84	401013	Nut	1
85	304518	Adjusting Screw	1
86	406153	Vane (set of 12)	1
87	303967	Ring - 3 GPM	1
87	304647	Ring - 4 GPM	1
--	406778	Nameplate	1
--	401296	Screw	4
--	402386	Roll Pin	4