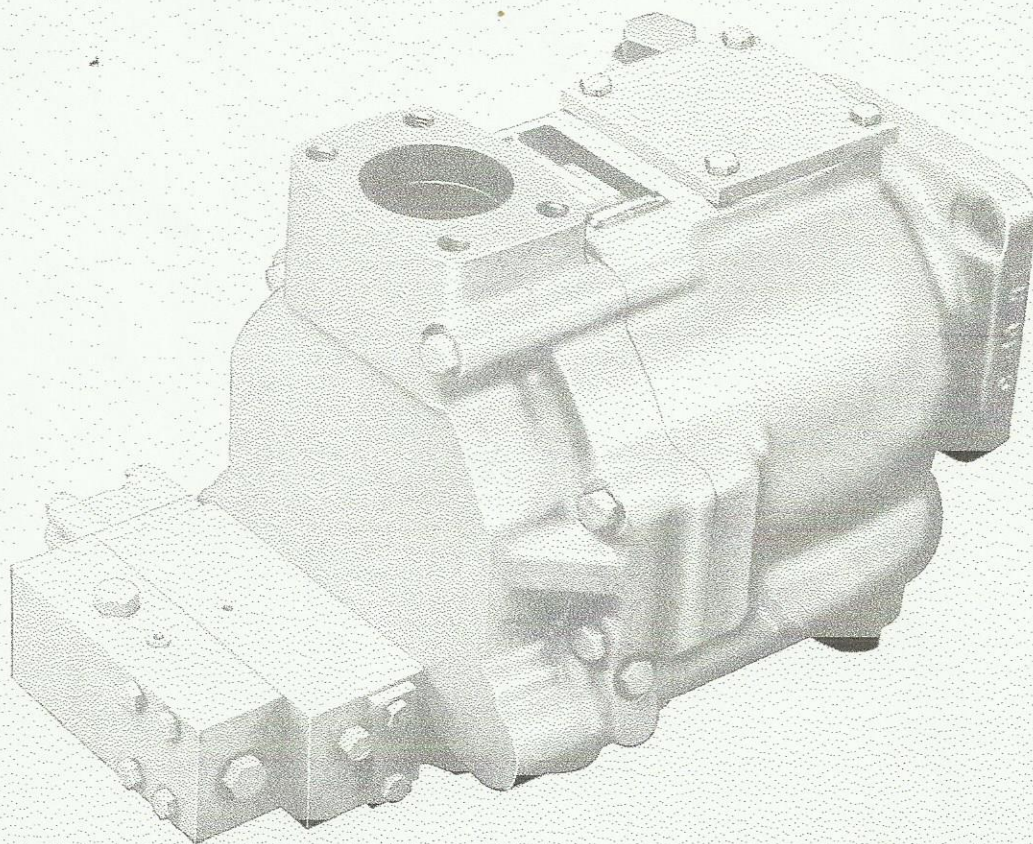


**VICKERS**  
A TRIMONA COMPANY

# Service Parts Information

Heavy  
Duty  
Piston  
Pump

PVE62\*-3-10-C\*\*-13



Vickers, Incorporated

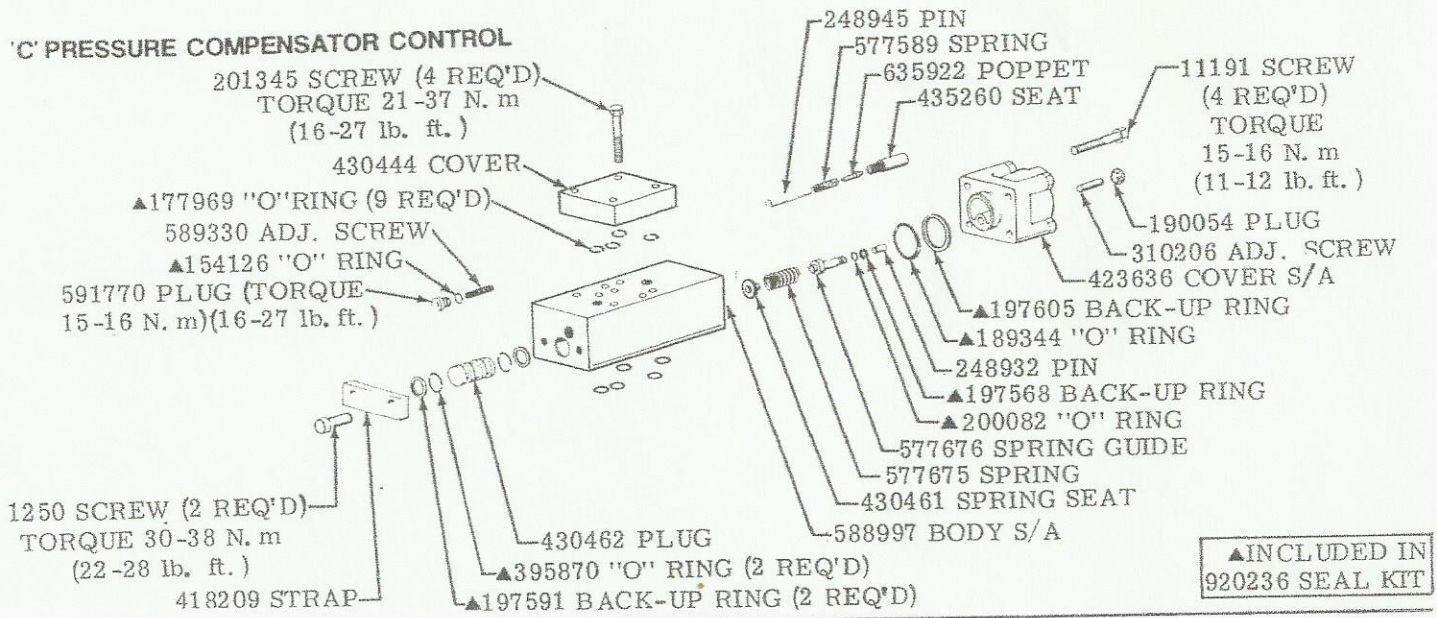
P.O. Box 302  
Troy, Michigan 48007-0302

RELEASED 4-1-86 M-2245-S

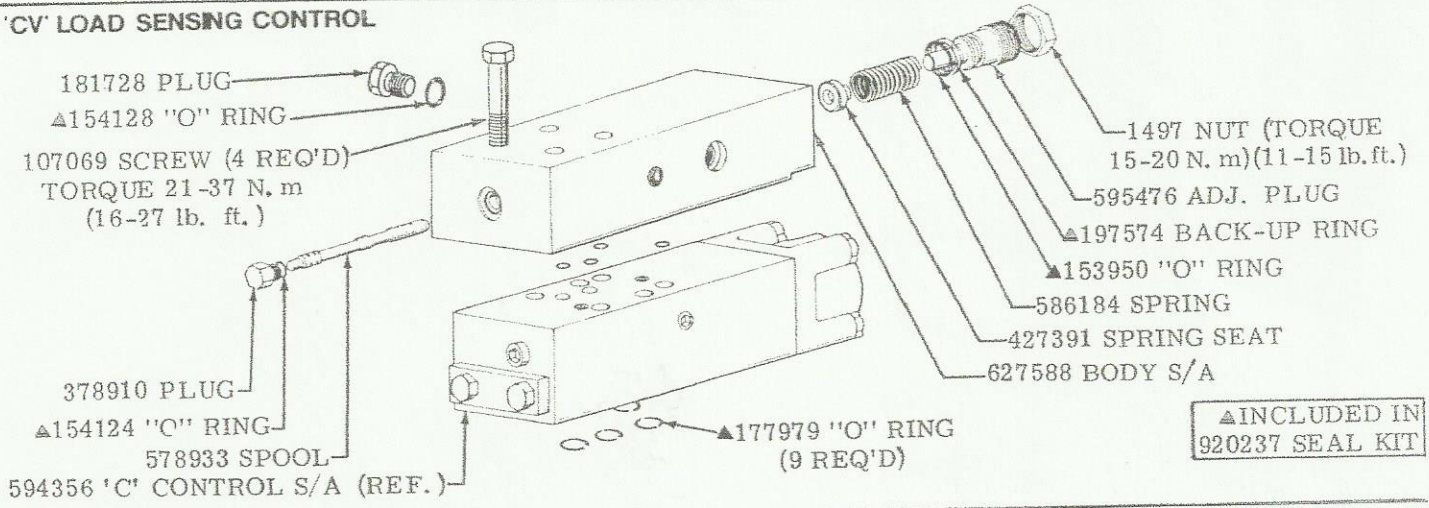




**'C' PRESSURE COMPENSATOR CONTROL**

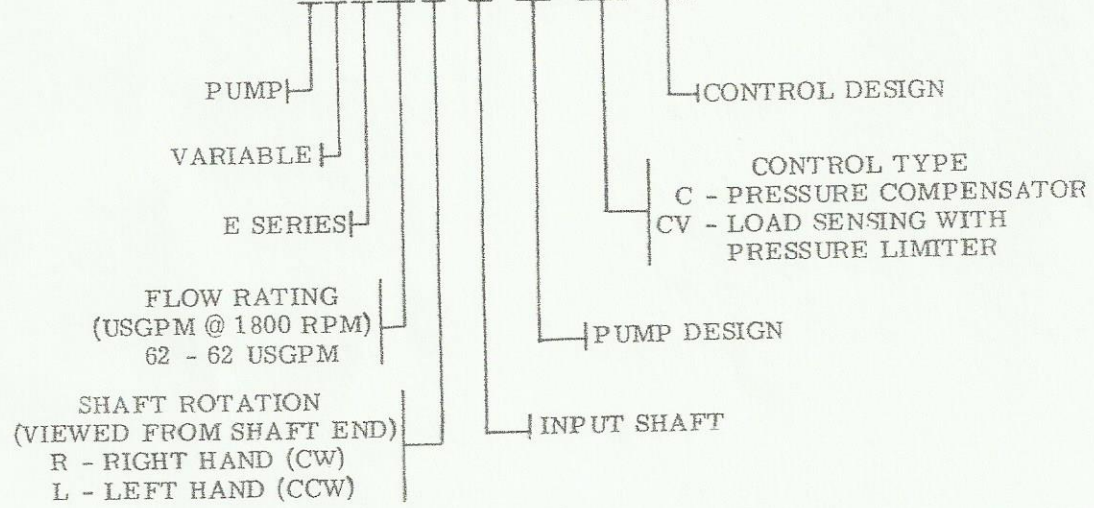


**'CV' LOAD SENSING CONTROL**



**MODEL CODE BREAKDOWN**

**PVE62\*-3-10-C\*-13**



For satisfactory service life of these components, use full flow filtration to provide fluid which meets ISO cleanliness code 19/15 or cleaner. Selections from Vickers OFF, OFR, and OFRS series are recommended.

Litho in U.S.A.