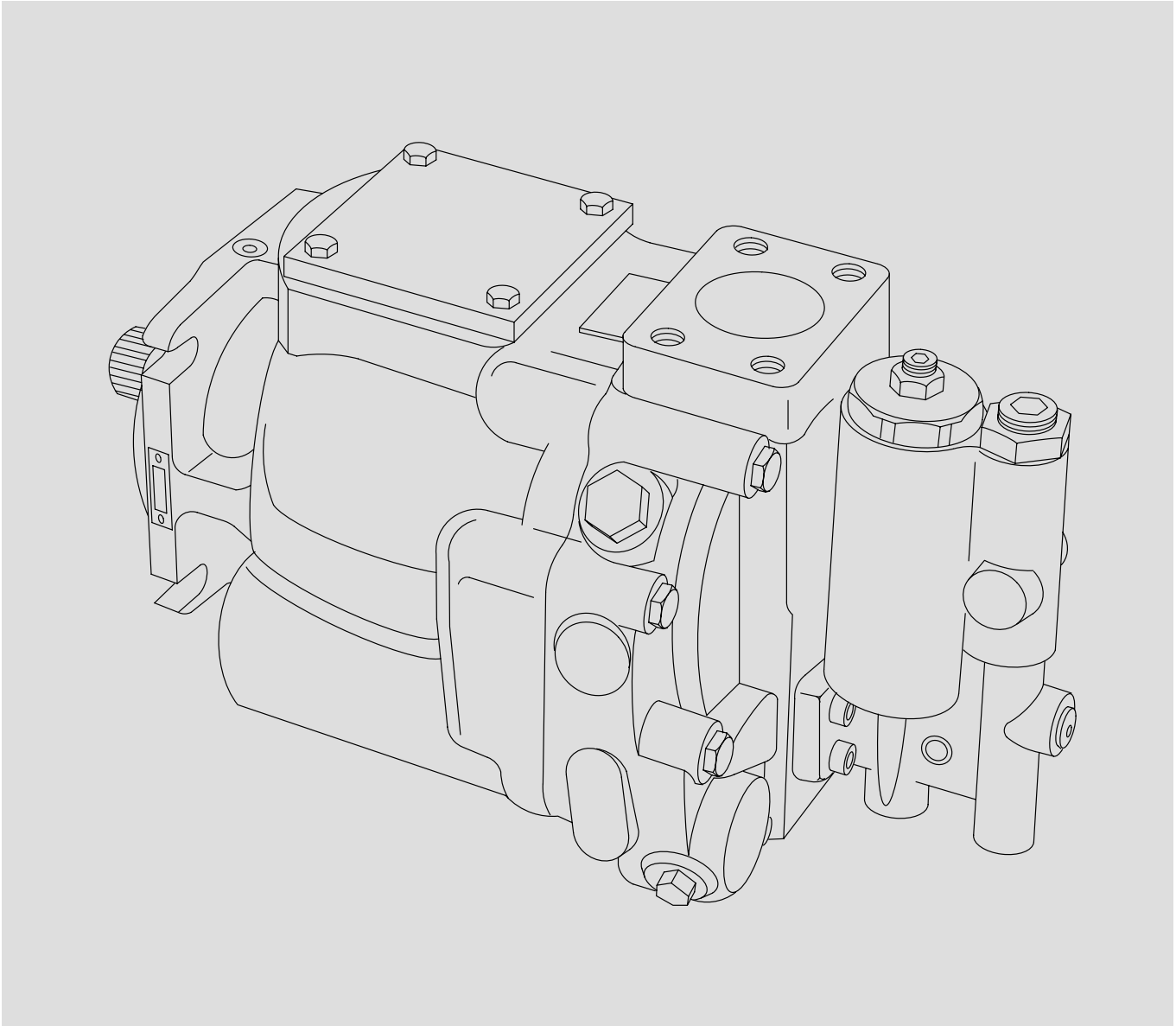




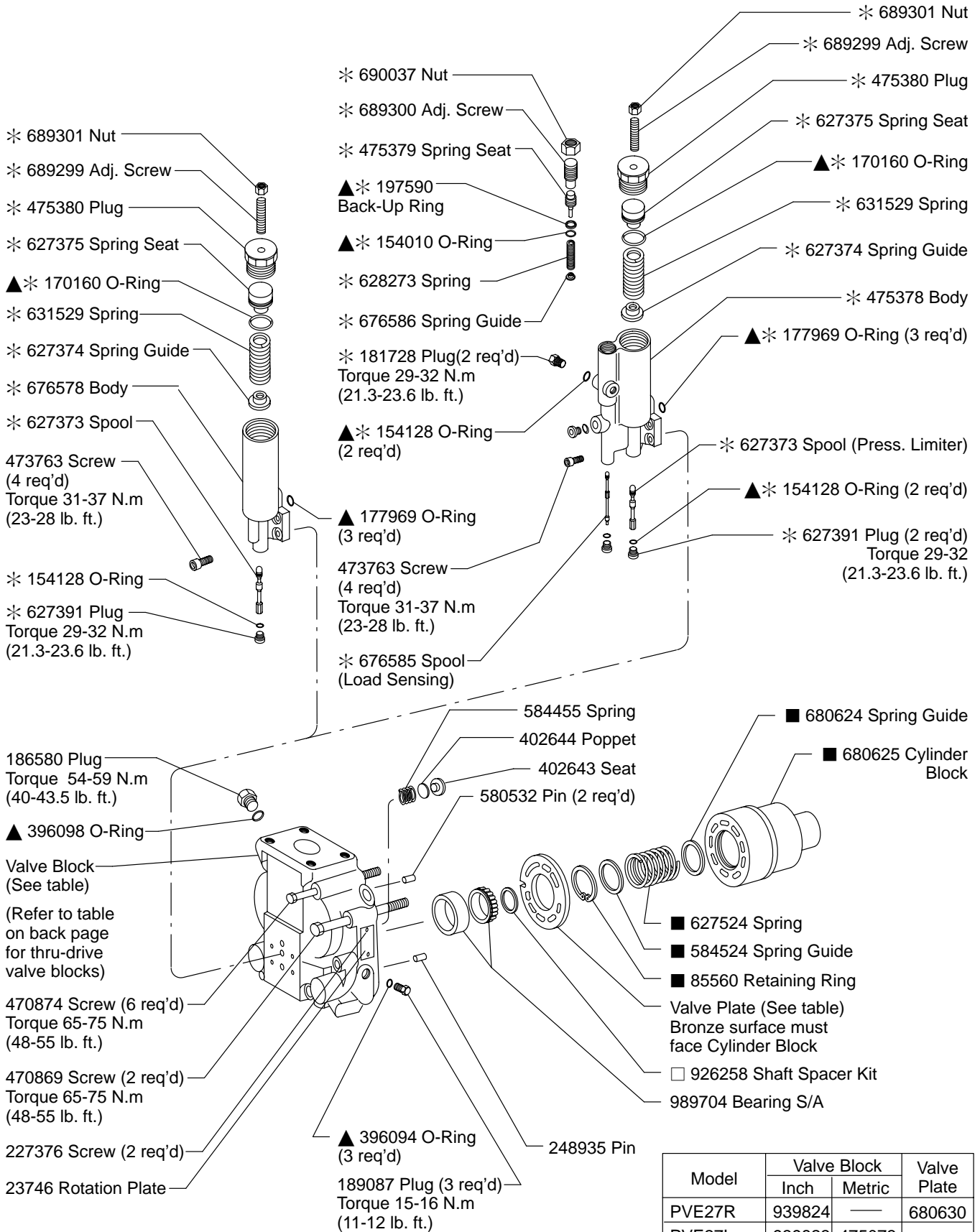
Heavy Duty Piston Pump

PVE27-*-**(M)(D)-22-C25(V)-21



C Control

CV Control

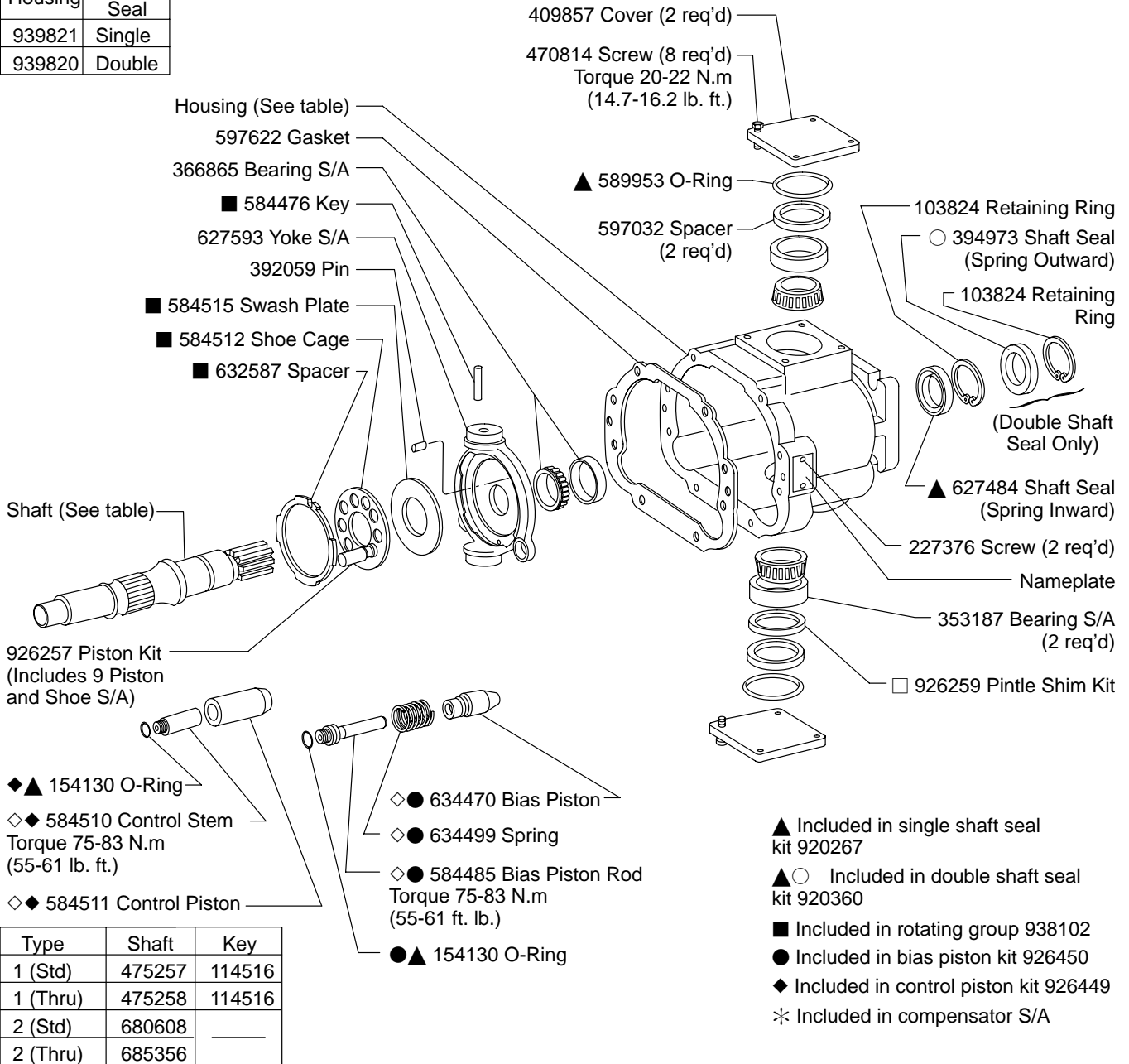


Model	Valve Block		Valve Plate
	Inch	Metric	
PVE27R	939824	—	680630
PVE27L	939823	475073	680631
PVE27L-H	939838	—	

* 475405 'CV' load sensing/pressure limiter compensator S/A. Shipped preset at approximately: Load sensing differential pressure 20 bar. Pressure limiter 250 bar.

* 475407 'C' pressure compensator S/A preset at 250 bar.

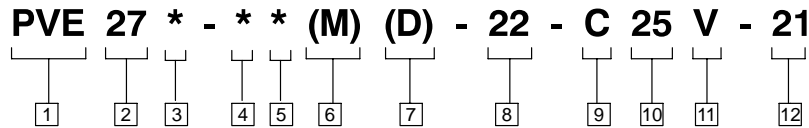
Housing	Shaft Seal
939821	Single
939820	Double



◇ **Note**
Parts are shown for left hand shaft rotation. The position of control and bias pistons are reversed for right hand rotation.

□ **Note**
Refer to overhaul manual M-2240-S for shaft end play and pintle bearing preload shimming procedure.

Model Code



1 Model Series

PVE - Pump, variable, inline series E

2 Flow Rating in USgpm (at 1800 RPM)

27 - 27 USgpm (3.5 CIR)

3 Shaft Rotation (Viewed from Shaft End)

R - Right hand (CW)
L - Left hand (CCW)

4 Ports and Configuration

Blank - Side port, flanged rear mount control
H - Side port 'A' pad aux. mount, side mount control
Thru Drive Configuration
A - Side port 'A' pad aux. mount, side mount control
B - Side port 'B' pad aux. mount, side mount control
C - Side port 'C' pad aux. mount, side mount control

5 Input Shaft

1 - Straight Keyed
2 - Splined

6 Port Designation (4 Bolt Flange)

Blank - SAE I-518
M - ISO/DIS 6162

7 Shaft Seal

Blank - Single
D - Double

8 Pump Design

9 Control Option

C - Pressure compensator (Std.)

10 Pressure Compensator Setting

25 - 250 Bar (3625 PSI)

11 Control Option

V - Load sensing pressure limiting

12 Control Design

Thru-Drive Models

Input Shaft Engagement Screw (See table)

Screw		Screw
No.	Qty.	Screw
1	2	470877
2	2	470874
3	2	473807
4	2	473815

Torque 65-75 N.m (47.9-55.3 lb. ft.)
For C Aux. Mtg. Pad Screw No. 4 is 473816

Input shaft engagement (Rear pump)	Coupling
SAE-A	685430
SAE-B	685429
SAE-BB	685428
SAE-C	429368

Model	Aux. Mtg. Pad	Valve Block		O-Ring
		Inch	Metric	
PVE27L	A	—	522293	576601
PVE27R		939835	—	
PVE27L	B	939834	—	401525
PVE27R		939878	—	
PVE27L	C	939831	—	353264
PVE27R		939830	—	

For satisfactory service life of these components, use full flow filtration to provide fluid which meets ISO cleanliness code 20/18/15 or cleaner. Selections from Eaton OFP, OFR and OFRS filter series are recommended.