



Vickers

Piston Pumps

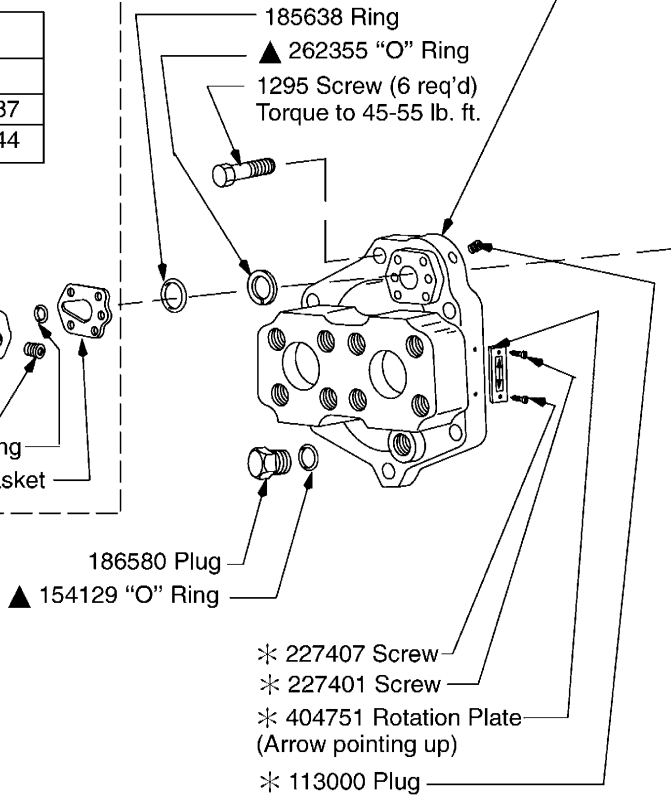
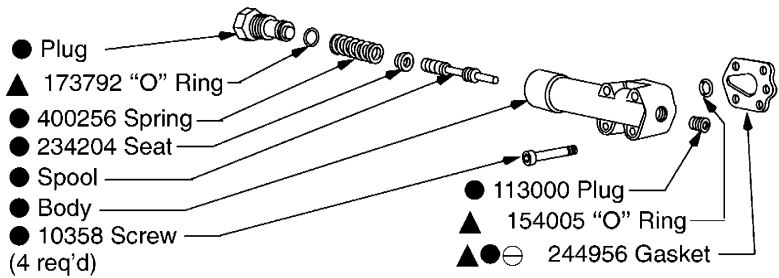
45 USgpm Variable Inline Piston Pump


(F3)-PVB45A-(F)RSF-10/11-CA-11

(F3)-PVB45A-(F)RSF-11-CAG-20

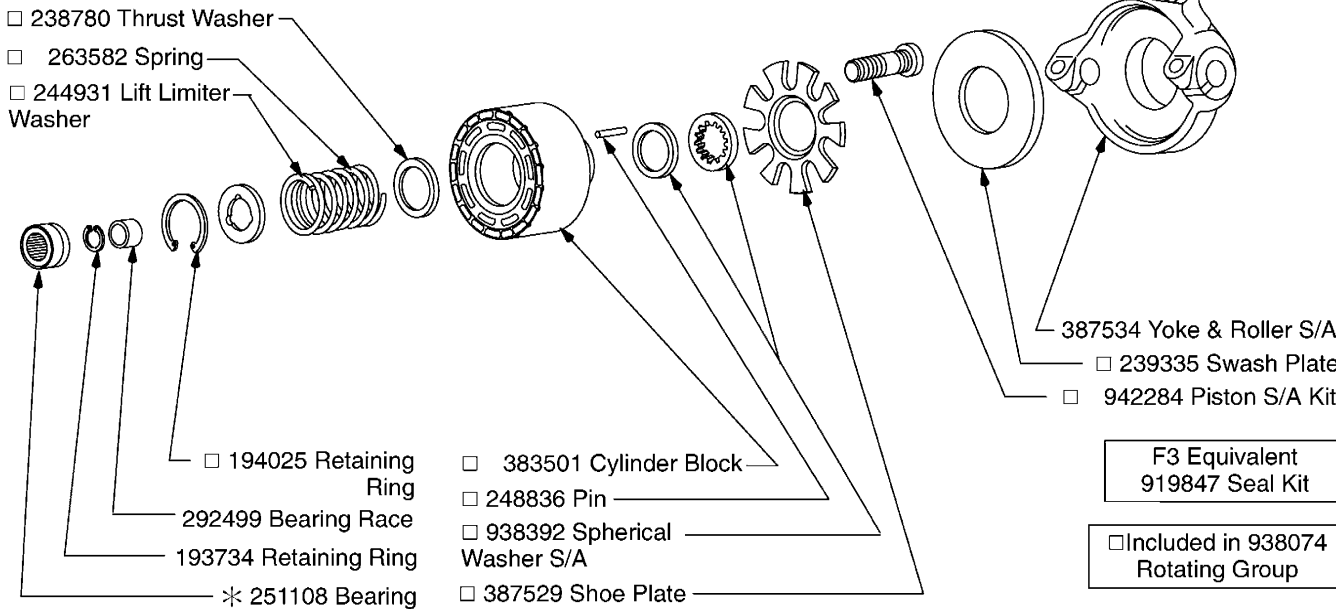
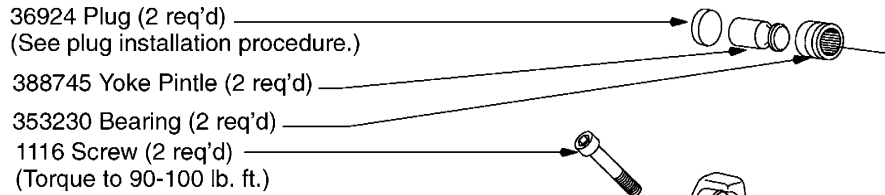
Model	* Valve Plate S/A
PVB45A-(F)RSF(*)-10-CA-11	942285

● Included in Pressure Compensator S/A				
Model	Spool	Body	Plug	Kit
PVB45A-CA	356986	354858	360430	942287
PVB45A-CAG	296234	412890	412940	942444



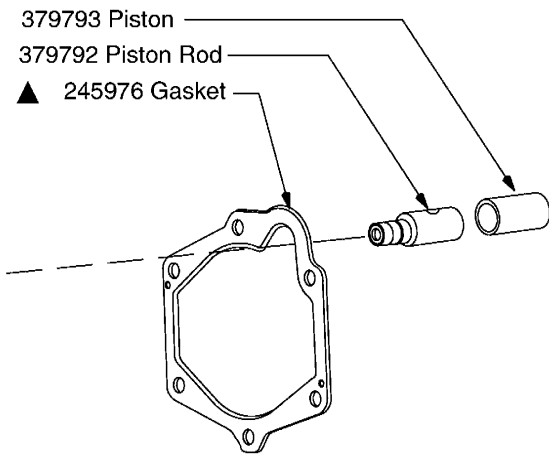
 **CAUTION**
Position compensator gasket with small end of teardrop hole pointing in direction of compensator adjusting plug.

▲ Included in 919683 Seal Kit

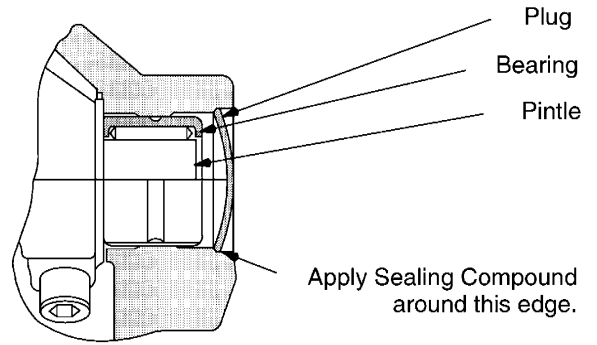


F3 Equivalent
919847 Seal Kit

□ Included in 938074 Rotating Group



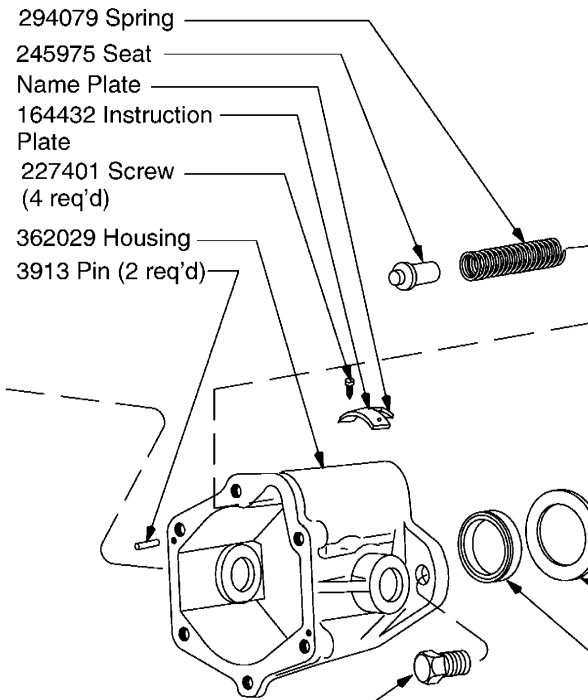
- 379793 Piston
- 379792 Piston Rod
- ▲ 245976 Gasket



- Plug
- Bearing
- Pintle
- Apply Sealing Compound around this edge.

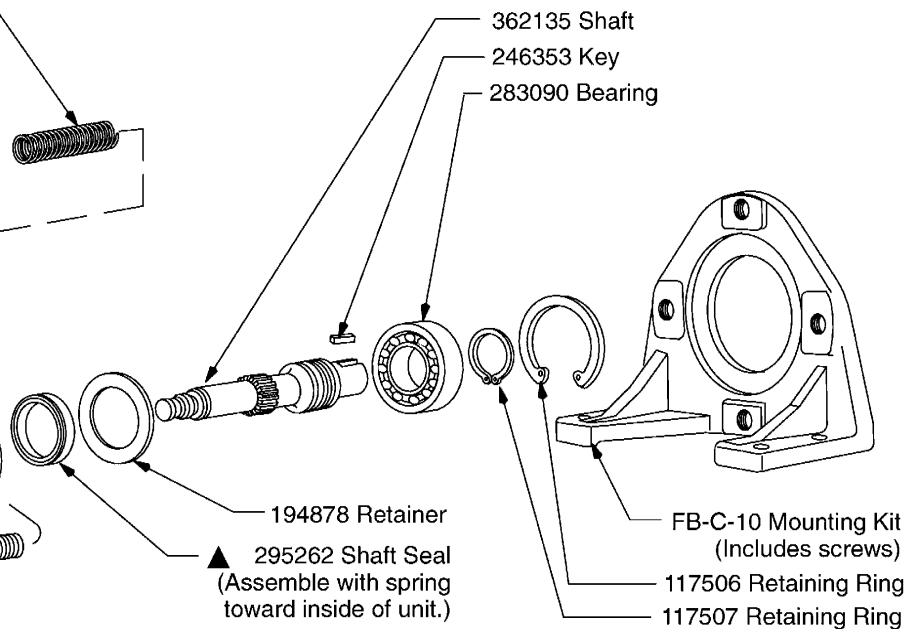
Plug Installation Procedure

Clean both mating surfaces with a suitable solvent. Remove all contamination. The surface must be clean and dry before installation of the plug. Apply sealing compound (Loctite plastic gasket or equivalent) sparingly around the outer edge of the plug. Exercise care during assembly to prevent excess sealing compound from entering the bearing. Install the plug in place as shown above.



- 294079 Spring
- 245975 Seat
- Name Plate
- 164432 Instruction Plate
- 227401 Screw (4 req'd)
- 362029 Housing
- 3913 Pin (2 req'd)

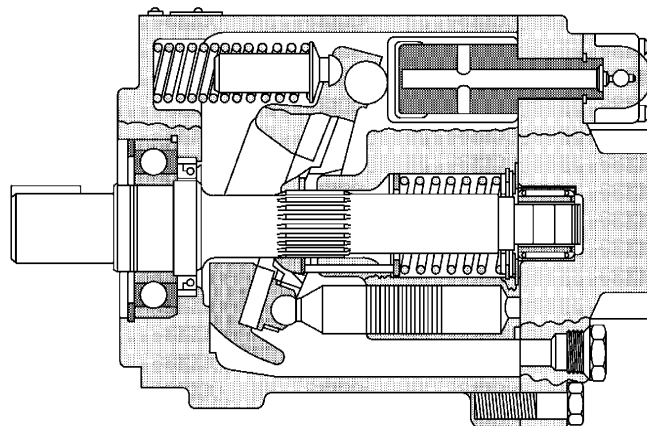
□ 212464 Screw (2 req'd)
(Used on PVB45A-FRSF-10-CA-11)



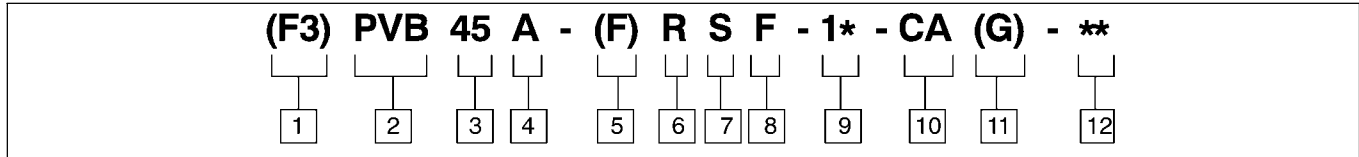
- 362135 Shaft
- 246353 Key
- 283090 Bearing

- 194878 Retainer
- ▲ 295262 Shaft Seal (Assemble with spring toward inside of unit.)

- FB-C-10 Mounting Kit (Includes screws)
- 117506 Retaining Ring
- 117507 Retaining Ring



Model Code



1 Special Seals

2 Model

Variable displacement pump, inline piston design

3 Flow rating @ 1800 rpm

45 - 45 USgpm

4 Medium Pressure Design

5 Mounting

F - Foot bracket
(Omit for flange mount)

6 Rotation

Viewing from shaft end
R - Right hand (CW)

7 Swash Plate Movement

S - One side of center

8 Port Connections

F - SAE 4-bolt flange

9 Pump Design

10 Pressure Compensator

Medium pressure (200-1000 psi)



Caution
Maximum psi setting of compensator must be limited to the values indicated.

11 Remote Control of Compensator

12 Compensator Design

11 - CA compensator
20 - CAG compensator

Eaton
14615 Lone Oak Road
Eden Prairie, MN 55344
USA
Tel: 952 937-9800
Fax: 952 974-7722
www.hydraulics.eaton.com

Eaton
20 Rosamond Road
Footscray
Victoria 3011
Australia
Tel: (61) 3 9319 8222
Fax: (61) 3 9318 5714

Eaton
46 New Lane, Havant
Hampshire PO9 2NB
England
Tel: (44) 23 92 486 451
Fax: (44) 23 92 487 110