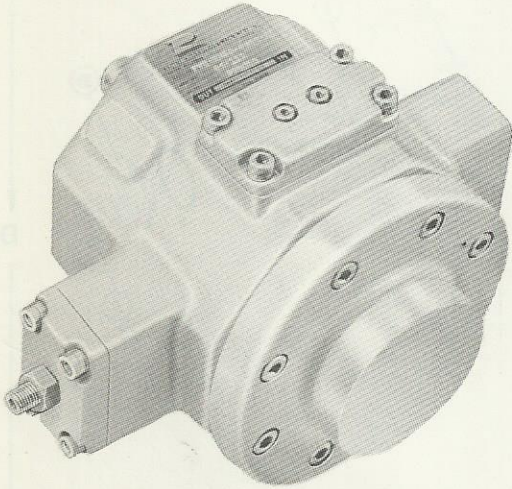




fluid power products



# REPAIR PARTS

## MODEL PVB

### VARIABLE VOLUME VANE TYPE PUMP

SUBPLATE MOUNTED

WHEN ORDERING PARTS, FURNISH:

1. COMPLETE CODE NUMBER
2. PARTS REQUIRED
3. SHIPPING INSTRUCTIONS

WRITE FACTORY FOR NEAREST AUTHORIZED PARTS AND SERVICE CENTER.

## PUMP CODING

PVB-PNSO-06ER-10

P --PRESSURE COMPENSATOR (STANDARD)

J --HYDRAULIC DUAL PRESSURE (EXTERNAL)

O--SOLENOID-CONTROLLED DUAL PRESSURE  
(WITH OIL-IMMERSED SOLENOID)

S --SOLENOID-CONTROLLED DUAL PRESSURE

O--BUNA N SEALS

F --VITON SEALS

W--WATER GLYCOL

N--NO VOLUME CONTROL

S --SCREW VOLUME CONTROL

E --1000 PSI

G--1500 PSI

R --RIGHT HAND ROTATION

L --LEFT HAND ROTATION

D--DOUBLE-ENDED SHAFT

PVB-PNSO-06\*\*10

ABOVE STANDARD COMPENSATOR  
APPEARS ON THIS PAGE. FOR  
ADDITIONAL COMPENSATORS  
SEE OPTION PAGE.

E  
G

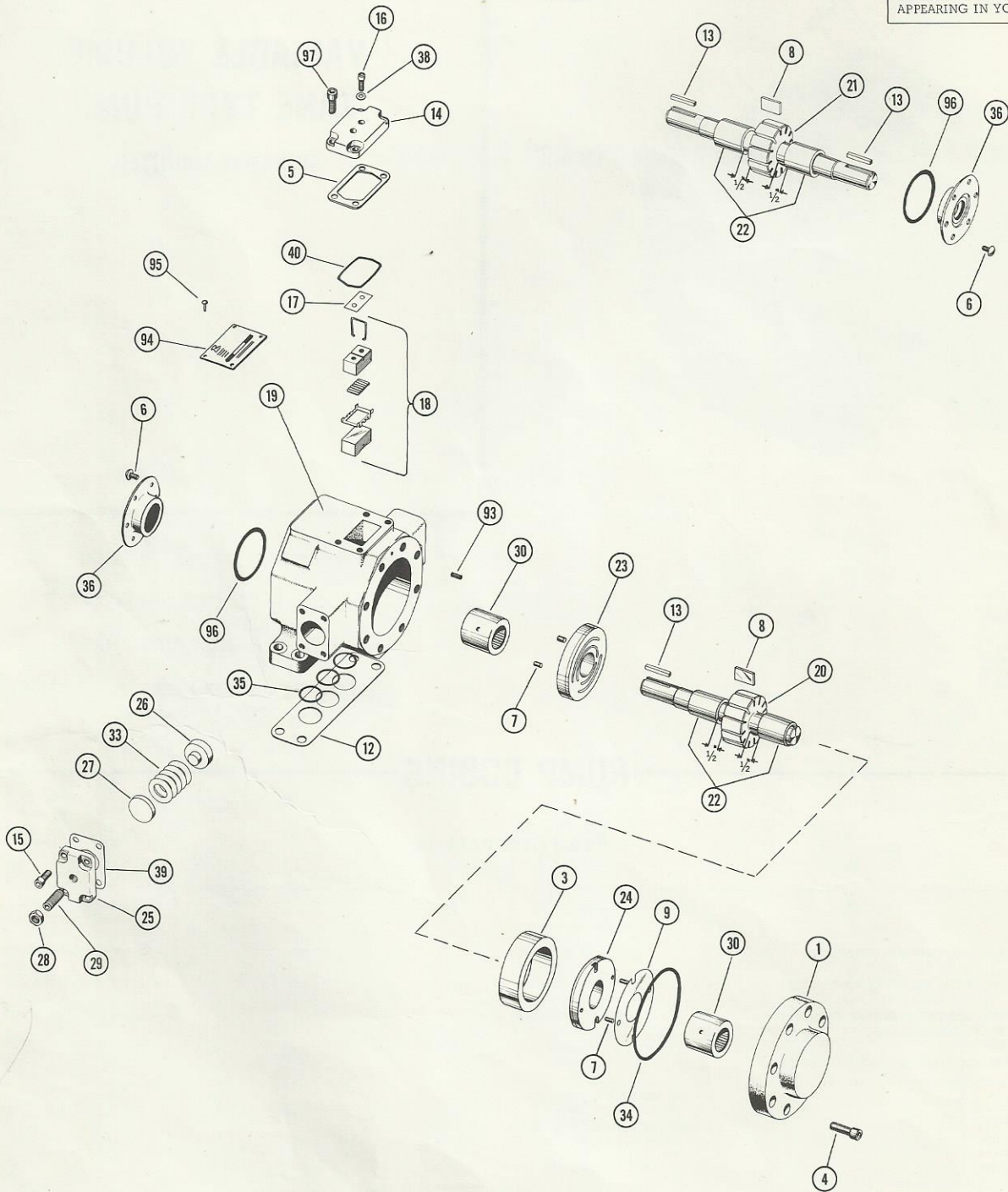
SEE MAIN PARTS LISTS FOR  
AVAILABLE SPRINGS.  
(REFERENCE #33)

R  
L  
D

SELECT LETTER BELOW WHICH  
CORRESPONDS TO THE LETTER  
APPEARING IN YOUR PUMP CODE.

D

R  
L



Ref. No.	Part No.	Description	Qty.
1	222299	Cover (Use with Double Ended Shaft)	1
1	222322	Cover (Use with Journal Bearings)	1
1	222300	Cover	1
3	306788	Ring	1
4	400800	Screw 5/16-18 x 7/8	8
5	405742	Plate	1
6	401612	Screw 8-32 x 3/8	12/6
7	404731	Pins	4
8	778268	Vanes (Set of 12)	1
9	405729	Shim .001"	As Req'd
9	405730	Shim .0015"	As Req'd
9	405731	Shim .002"	As Req'd
12	405736	Plate	1
13	405737	Key	2/1
14	221703	Cap	1
15	400781	Screw 1/4-20 x 5/8	4
16	400772	Screw 8-32 x 5/8	2
17	405739	Shim .002"	As Req'd
17	405740	Shim .003"	As Req'd
17	405741	Shim .005"	As Req'd
17	408669	Shim .010"	As Req'd
18	777286	Thrust Block	1
19	222303	Body RH (No Volume Control)	1
19	222304	Body LH (No Volume Control)	1
20	306815	Forging LH	1
20	777287	Forging - w/inner races	1
21	306840	Forging - Double Ended	1
21	777397	Forging - Double Ended-w/inner races	1
22	405515	Race	2
23	777288	Port Plate - RH	1
23	777353	Port Plate - LH	1
24	777721	Cover Plate - RH	1
24	777722	Cover Plate - LH	1
25	221901	Cap	1
26	307276	Piston	1
27	307298	Washer	1
28	406426	Nut	1
29	407728	Screw (3/8-24 x 1 Sock. Hd. Flat Pt.)	1
30	405207	Bearing	2
30	777369	Journal Bearing	2
33	406471	Spring - 1500 PSI	1
33	406472	Spring - 1000 PSI	1
93	402265	Roll Pin	1
94	406777	Nameplate RH	1
94	406778	Nameplate LH	1
95	401296	Screw	4
97	400780	Screw 1/4-20 x 3/4	4

**STANDARD SEAL KIT**  
**722385**

KIT CONSISTS OF -			
Ref. No.	Part No.	Description	Qty.
34	401291	"O" Ring 1/8 x 3-5/8 OD	1
35	404070	"O" Ring 1/16 x 1" OD	3
36	405732	Seal (2 Req'd on Double Ended Pumps)	1
38	405966	Para-seal	2
39	405738	Gasket	1
40	405743	"O" Ring (Molded)	1
96	407478	"O" Ring 3/32 x 1-13/16 OD (2 Req'd on Double Ended Pumps)	1

USED WITH MINERAL OIL AND WATER BASED FLUIDS

**VITON SEAL KIT**  
**722386**

KIT CONSISTS OF -			
Ref. No.	Part No.	Description	Qty.
34	406705	"O" Ring 1/8 x 3-5/8 OD	1
35	406707	"O" Ring 1/16 x 1" OD	3
36	405885	Seal (2 Req'd on Double Ended Pumps)	1
38	407059	Para-seal	2
39	405738	Gasket	1
40	406706	"O" Ring (Molded)	1
96	407129	"O" Ring 3/32 x 1-13/16 OD (2 Req'd on Double Ended Pump)	1

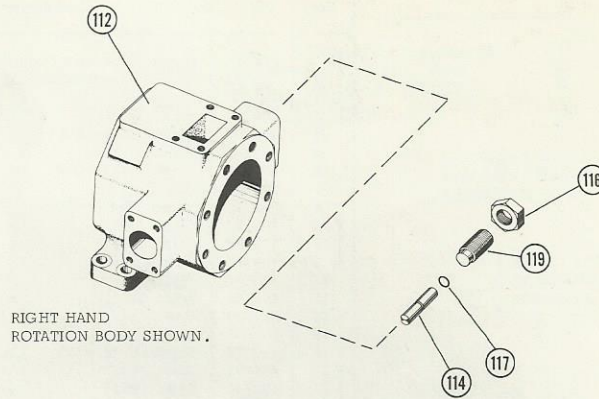
USED WITH SYNTHETIC FLUIDS (PHOSPHATE ESTER AND HALOGENATED BASE.)

**REPAIR PARTS KITS \***

SINGLE SHAFT - RIGHT HAND ROTATION - STANDARD SEALS--NO. 722456  
 SINGLE SHAFT - LEFT HAND ROTATION - STANDARD SEALS--- NO. 722458  
 SINGLE SHAFT - RIGHT HAND ROTATION - VITON SEALS--- NO. 722457  
 SINGLE SHAFT - LEFT HAND ROTATION - VITON SEALS--- NO. 722459  
 DOUBLE ENDED SHAFT - STANDARD SEALS----- NO. 722766  
 DOUBLE ENDED SHAFT - VITON SEALS----- NO. 722767

\*Each kit contains the following parts:  
 One pressure ring, one set vanes, all shims, one port plate, one cover plate, two bearings, one thrust block assembly, one shaft and rotor assembly, with bearing races, and one seal kit.

Ref. No.	Part No.	Description	Qty.
112	222301	Body RH	1
112	222302	Body LH	1
112	222323	Body RH (Use with Journal Bearings)	1
114	308007	Ram	1
116	401015	Nut	1
117	401273	"O" Ring 1/16 x 3/8 OD	1
117	406270	"O" Ring (Viton)	1
119	405765	Screw	1



## HYDRAULIC & SOLENOID CONTROLLED DUAL PRESSURE COMPENSATORS

Ref. No.	Part No.	Description	Qty.
41	307359	Ram	1
42	307360	Adapter	1
43	307361	Piston	1
44	307364	Ram	1
45	400783	Screw	4
46	400913	Washer	2
47	401100	Ring	1
48	401273	"O" Ring 1/16 x 3/8 OD	3
48	406270	"O" Ring (Viton)	3
49	406200	Screw	2
50	405110	Screw	4
51	406199	Cover	1
52	405974	"O" Ring 1/8 x 1-3/16 OD	1
52	406587	"O" Ring (Viton)	1
54	405738	Gasket	1
55	405850	Nut	1
56	406008	Screw	1
57	406472	Spring - 1000 PSI	1
57	406471	Spring - 1500 PSI	1
58	406624	Gasket	1
59	306693	Pin	1
60	306933	Pin	1
61	307036	Retainer	1
62	307050	Spool	1
63	307363	Cap	1
64	400801	Screw	3
65	400932	Plug	1
66	401253	"O" Ring 1/8 x 1-3/16 OD	2
66	406271	"O" Ring (Viton)	2
68	401272	"O" Ring 1/16 x 1/2 OD	2
68	406269	"O" Ring (Viton)	2
69	402265	Pin	2
70	403668	Screw	4
71	404186	"O" Ring .040 x 3/16 OD	1
72	405514	Screw	4
73	405613	Gasket	1
74	405615	Gasket	1
75	Table #1	Solenoid	1
76	Table #1	Coil	1
* 77	777607	Cover	1
78	405618	Seat	1
79	405619	Retainer	1
80	405621	Plate	1
81	405727	Spring	1
82	406535	Screw	3
83	406012	Plate	1
84	405821	Rivet	1
85	405822	Rivet	1
86	401882	Screw	4
87	777293	Cap Seal	1
87	777454	Cap Seal (Viton)	1
** 88	777395	Body	1
89	221967	Body	1
90	307276	Piston	1
91	221806	Cap	1
92	403886	Screw	4

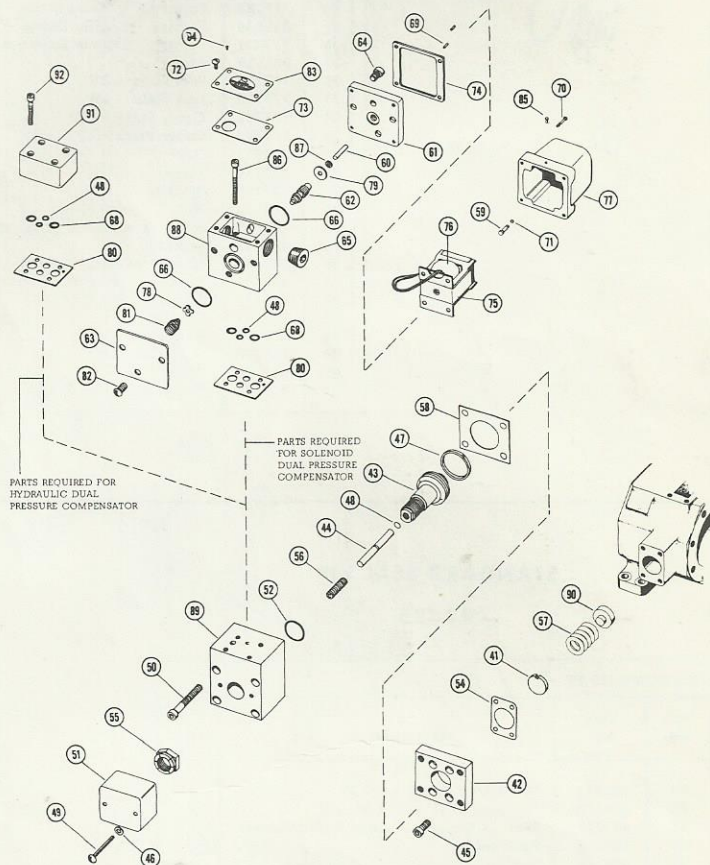


TABLE # 1

AC SOLENOIDS		
Complete Solenoid (75)	Coil Only (76)	AC Voltage
405622	405631	115/60
405624	405632	230/60
405625	405633	460/60
406106	406108	110/50
406107	406109	220/50

TABLE # 1 (cont'd)

OIL IMMERSED SOLENOIDS		
Complete Solenoid (75)		AC Voltage
407374	Coil Not Available	115/60
407375		230/60
407376		460/60
407377		115/50
407378		230/50

\* Includes Ref. No. 59, 70, 71, 77, 85

\*\*Adaptor Block to convert to Compact Valves Part No. 723383 plus adaptor block Part No. 778320 to convert to D01 Valves.