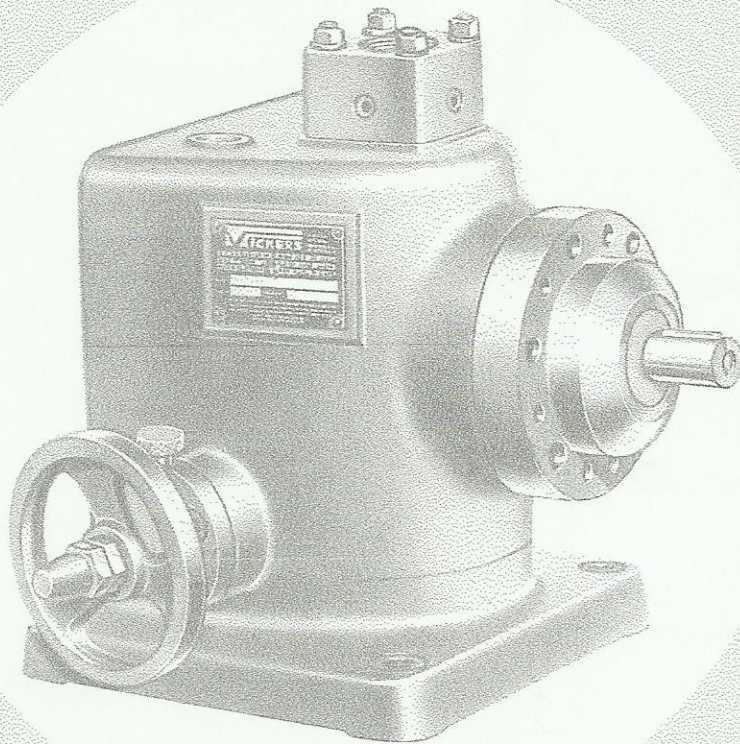


**VICKERS**

**VARIABLE DELIVERY  
PISTON PUMPS**



**SERVICE  
PARTS  
INFORMATION**



**Model Series: PV-1008/PV/PV1-2008**  
**Designs: -10/11/12/13**

**VICKERS INCORPORATED**

DIVISION OF SPERRY RAND CORPORATION

**Machinery Hydraulics Division**

**Service Department**

14420 Linwood Avenue

Detroit, Michigan 48238

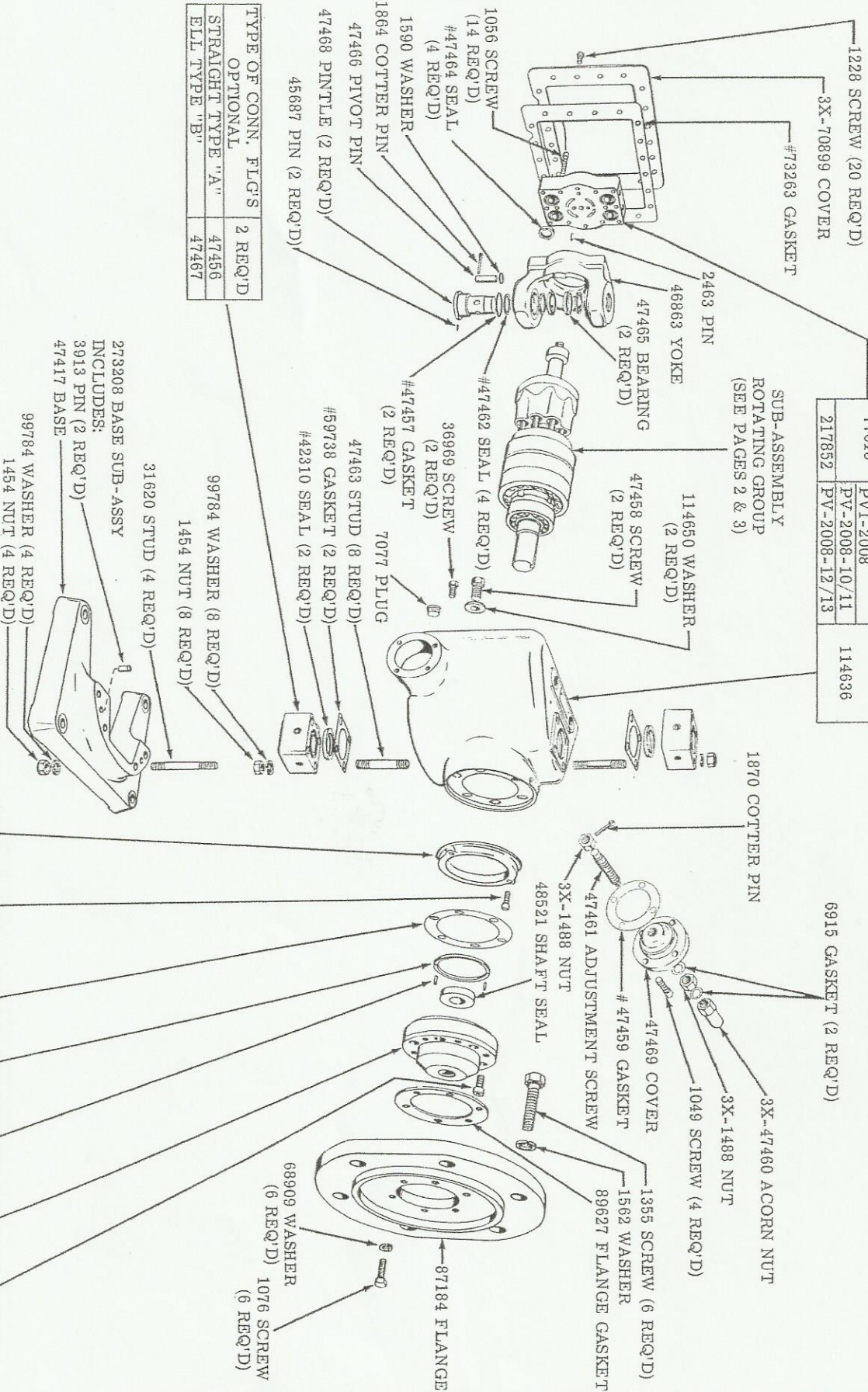
Rev. 8-3-64 ATLANTA • CHICAGO • DETROIT • EL SEGUNDO • HOUSTON • SEATTLE • SPRINGFIELD, N. J. • TORONTO

I-3193-S

# VARIABLE DELIVERY PISTON TYPE PUMPS

BLOCK	MODEL	HOUSING
77618	PV-1008	47098
	PV-2008	
	PV1-2008	
	PV-2008-10/11	
217852	PV-2008-12/13	114636

SUB-ASSEMBLY  
ROTATING GROUP  
(SEE PAGES 2 & 3)



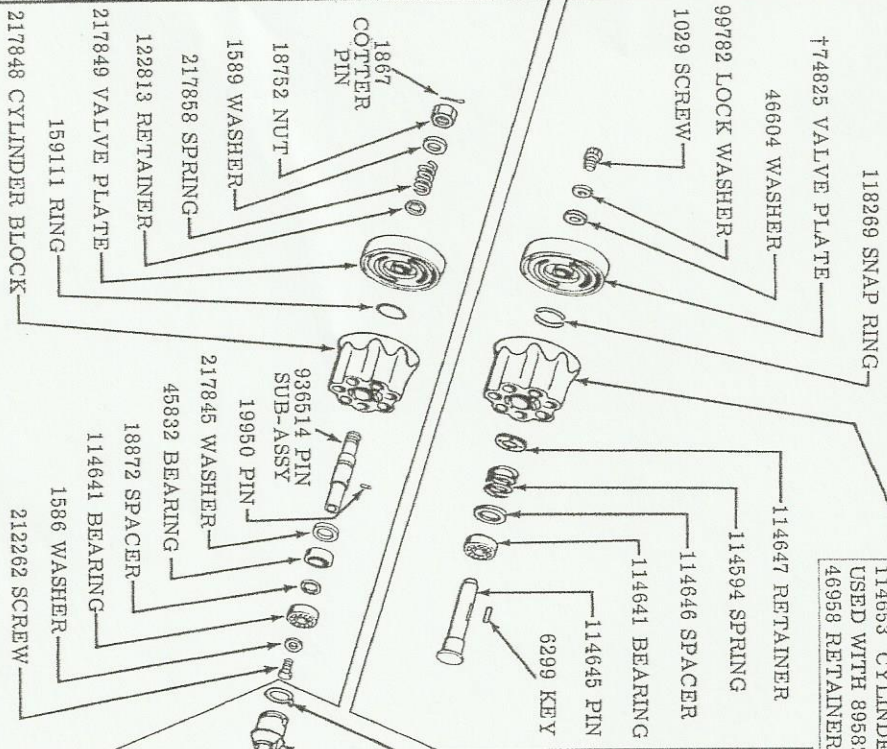
#INCLUDED IN  
919123 GASKET KIT

MODEL	COVER SCREW (2 REQ'D)	GASKET	RING	PIN (2 REQ'D)	COVER SCREW (8 REQ'D)
PV-1008	47973	1072	46955	—	46500
PV-2008	—	—	—	—	1028
PV1-2008	—	—	—	—	—
PV-2008-10/11/12/13	—	—	—	—	—

MODEL PV-2008, PV-2008-10/11  
ROTATING GROUP 923390

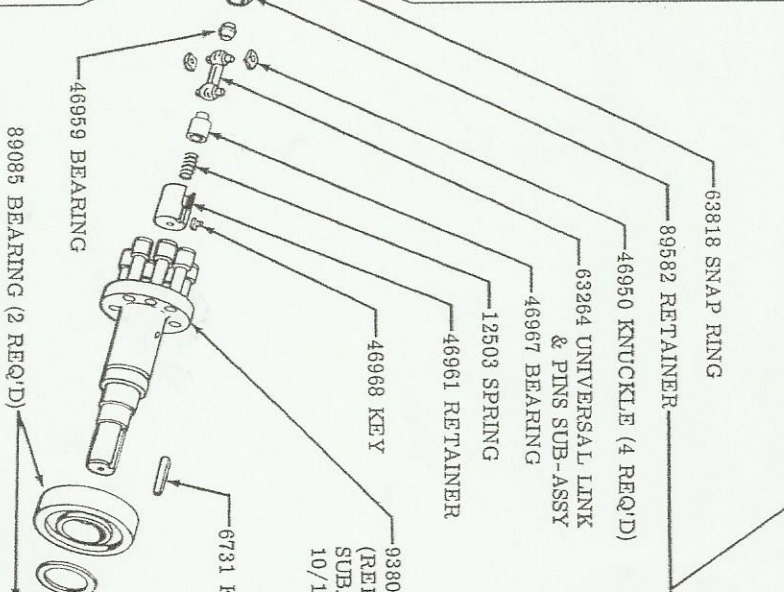
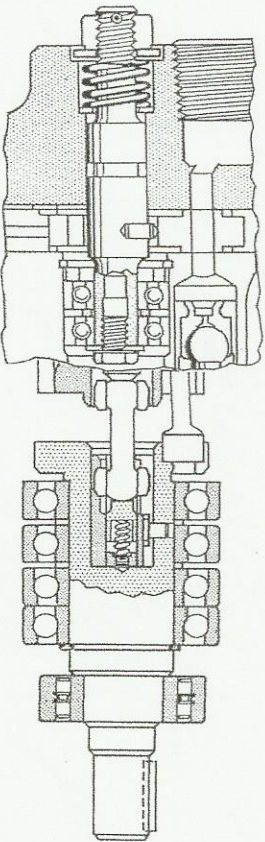
136034 CYLINDER BLOCK (4 SHOULDERS) - REPLACES  
114653 CYLINDER BLOCK (2 SHOULDERS) AND ONLY  
USED WITH 89582 RETAINER (4 SLOTS) WHICH REPLACES  
46958 RETAINER (2 SLOTS)

SUBASSEMBLY ROTATING GROUPS



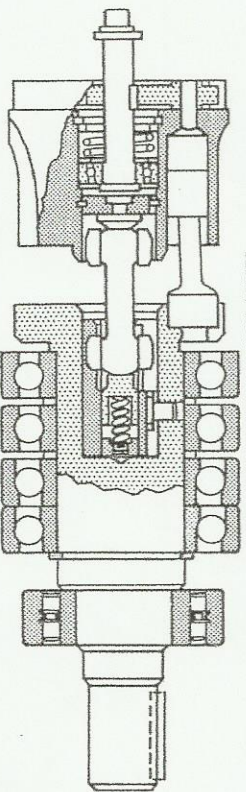
MODEL PV-2008-12/13 ROTATING GROUP 936439

To insure proper clearance, tighten 18752 nut so valve block, valve plate and cylinder block are clamped snugly together. Then back the nut off from 90 to 120 degrees to align the slot with the key hole in the pin. See Service Letter I-74.



† Assemble valve plate with arrows (etched on undercut surface) pointing in the direction of rotation. Direction of rotation is determined by viewing pump from shaft end.  
Right Hand: Clockwise  
Left Hand: Counterclockwise

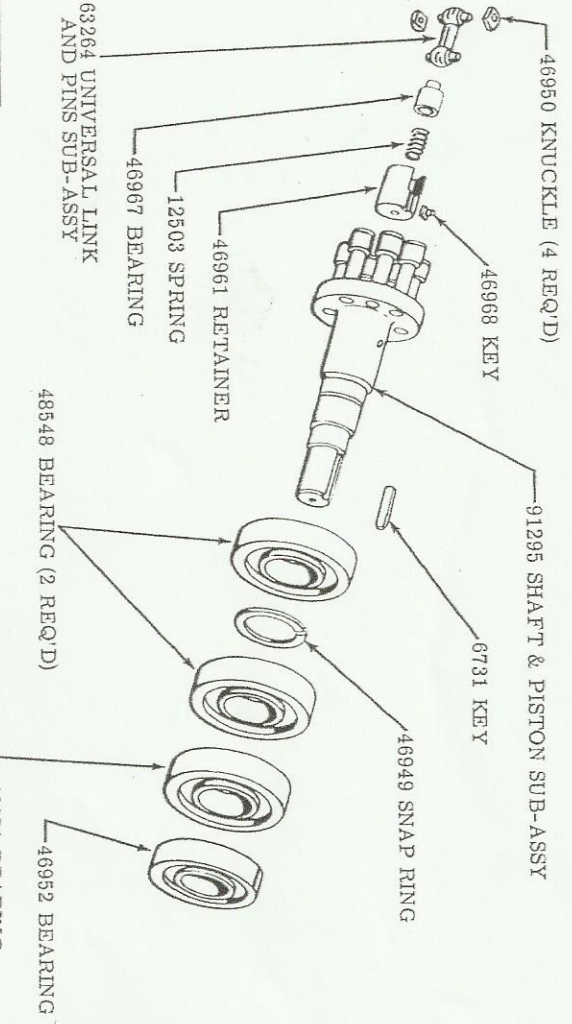
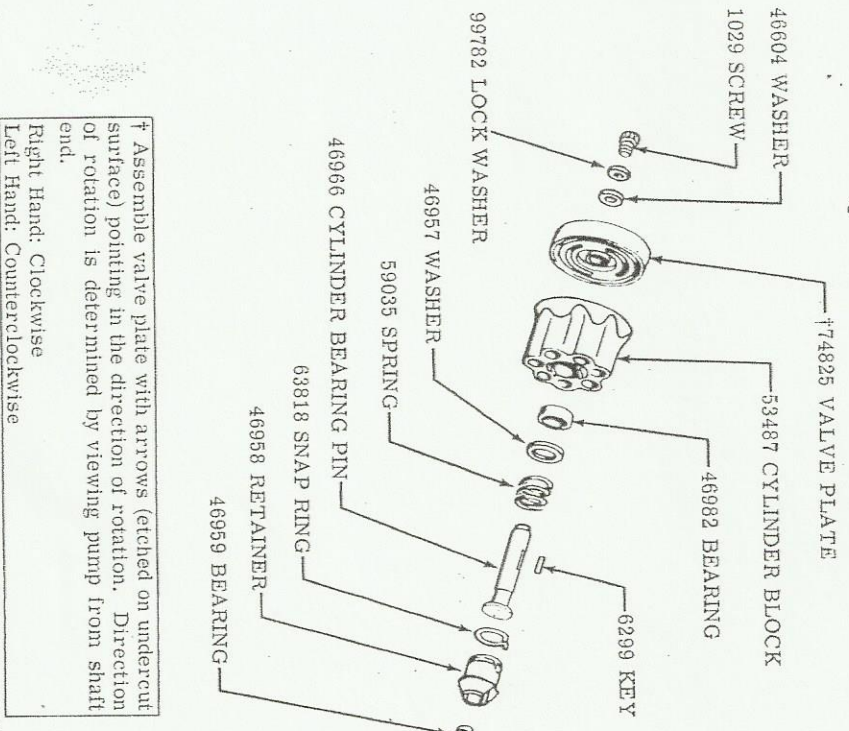
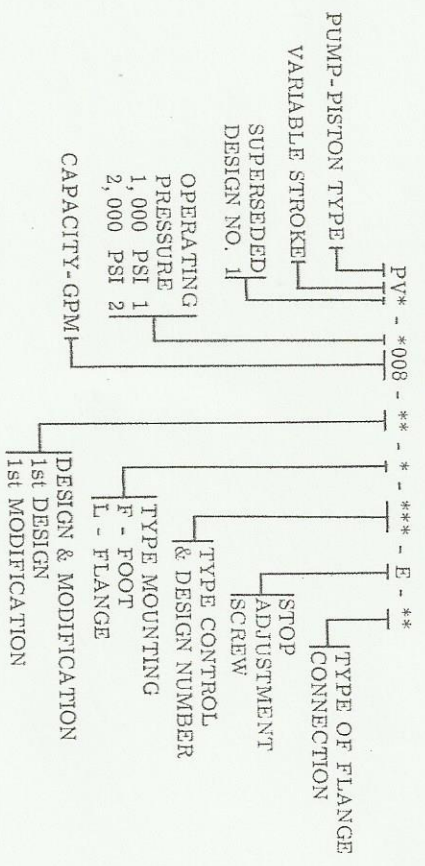
923390 ROTATING GROUP SUBASSEMBLY



# SUBASSEMBLY ROTATING GROUPS

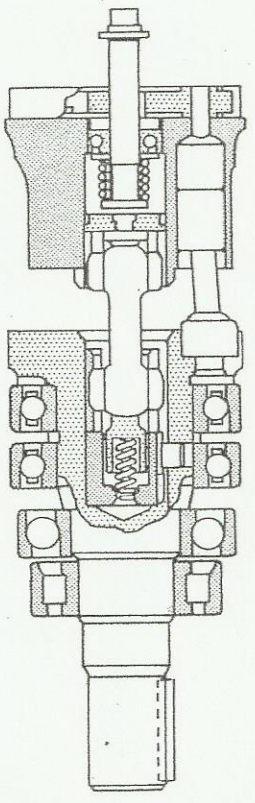
MODEL AND DESIGN SERIES  
PV-1008, PV-2008

## MODEL CODE BREAKDOWN



† Assemble valve plate with arrows (etched on undercut surface) pointing in the direction of rotation. Direction of rotation is determined by viewing pump from shaft end.  
Right Hand: Clockwise  
Left Hand: Counterclockwise

112896 ROTATING GROUP SUBASSEMBLY



To insure sustained efficiency and maximum trouble-free life of this precision equipment, initial and continuous filtration of the fluid medium to 25 microns or less is essential. (For information pertaining to Vickers economical 10 micron filters, see installation drawing I & M 229847.)