



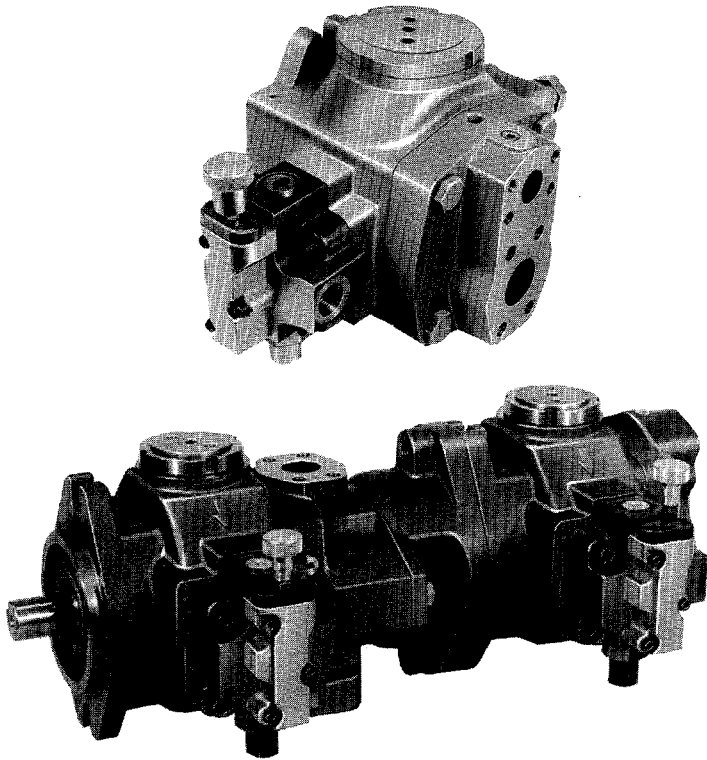
# BOSCH

## REPAIR PARTS

### VARIABLE VOLUME SILENTVANE PUMP MODEL SV-40

2000 PSI  
30 GPM

FLANGE MOUNTED  
COMBINATION CAPABILITY



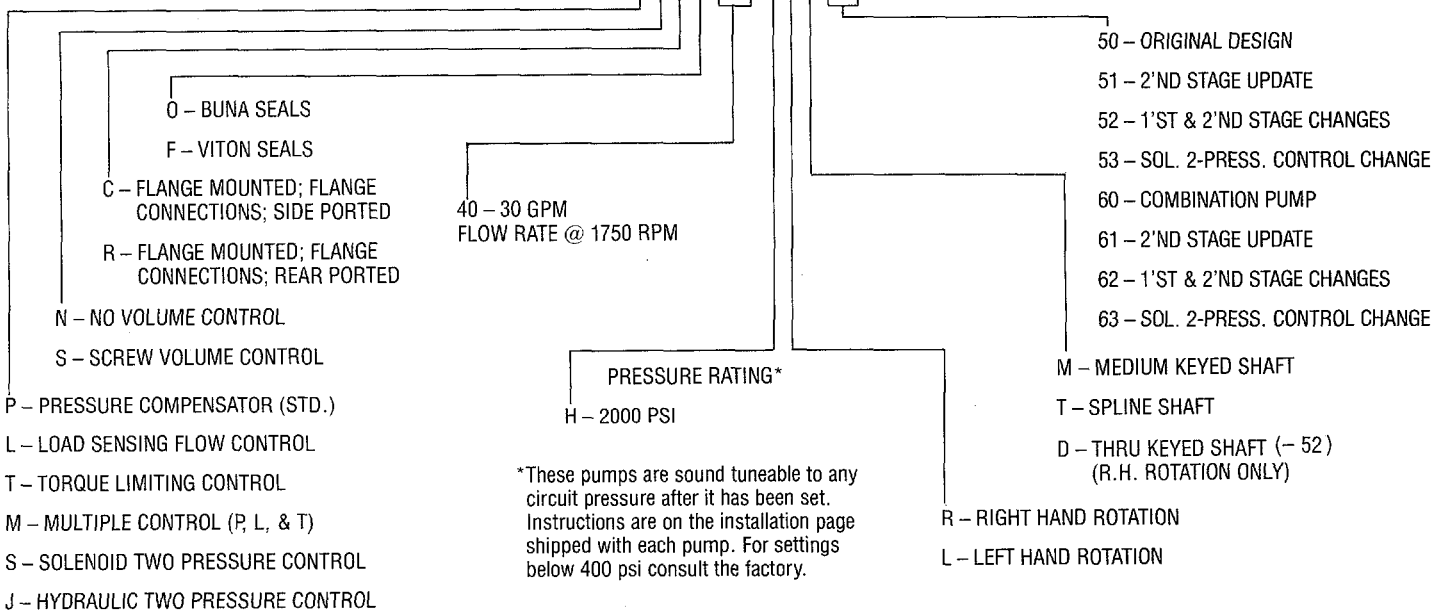
WHEN ORDERING PARTS, FURNISH:

1. COMPLETE CODE NUMBER
2. PARTS REQUIRED
3. SHIPPING INSTRUCTIONS

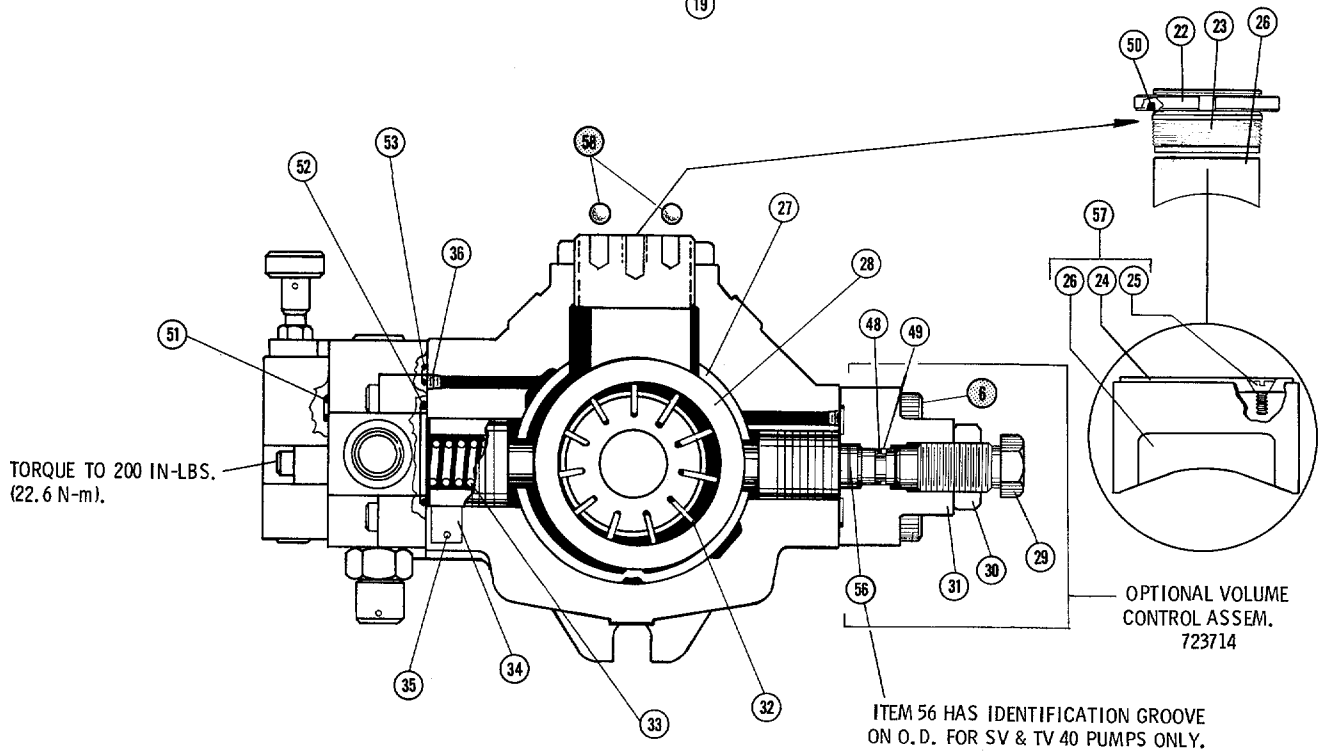
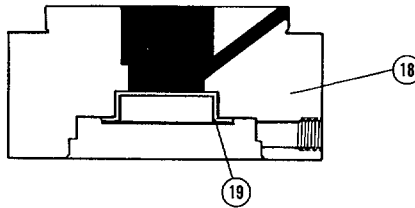
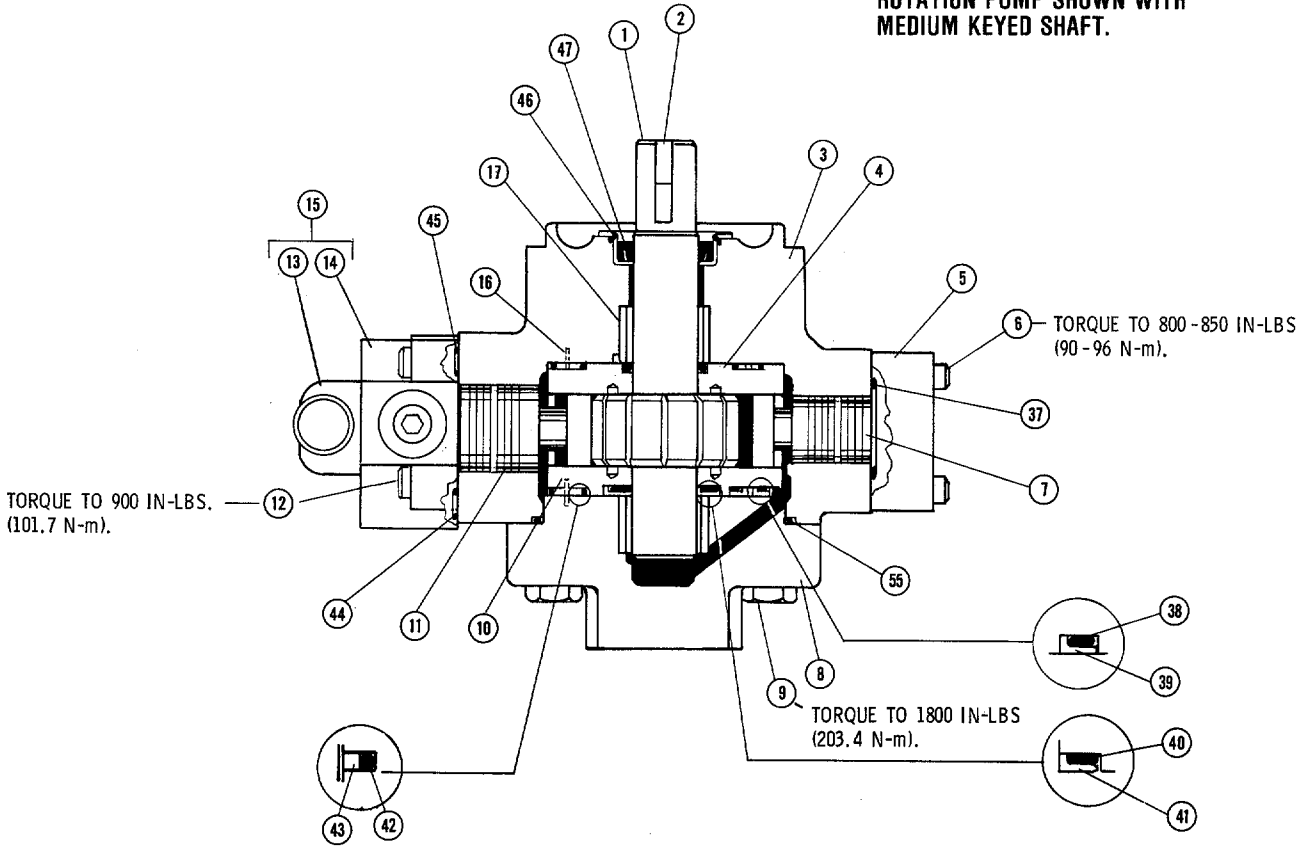
WRITE FACTORY FOR NEAREST AUTHORIZED PARTS AND SERVICE CENTER.

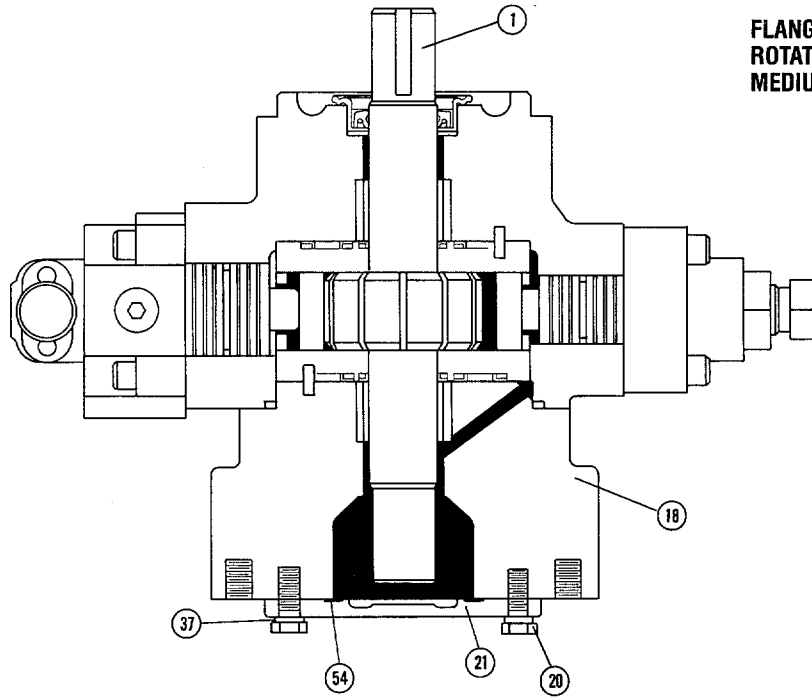
### PUMP CODING

PSV-PNCO-40 HRM-52



**FLANGE MOUNTED, RIGHT HAND  
ROTATION PUMP SHOWN WITH  
MEDIUM KEYED SHAFT.**





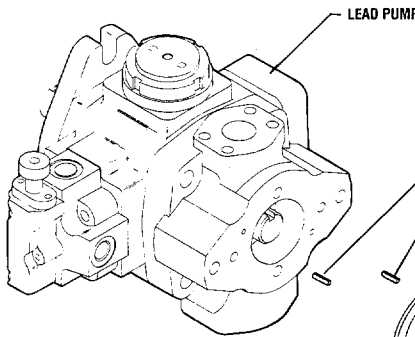
**FLANGE MOUNTED, RIGHT HAND ROTATION PUMP SHOWN WITH MEDIUM COMBINATION SHAFT.**

**ADAPTOR/COUPLING SYSTEM**

THE DISTANCE FROM THE PUMP MOUNTING FLANGE TO THE CENTER OF THE PORT, INCREASED BY 3/8" (SV-40).

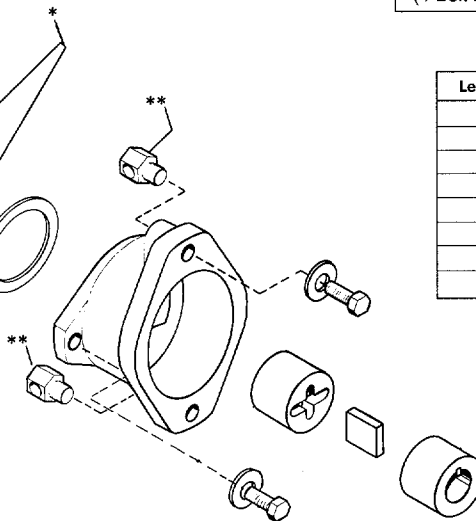
**PORT CHANGES  
DASH-50 VERSUS DASH-60 DESIGNS**

PUMP MODEL (Port Type)	DASH-50 DESIGN		DASH-60 DESIGN	
	INLET	OUTLET	INLET	OUTLET
SV-40 (4-Bolt Flange)	1-1/2"	1"	2"	1-1/4"



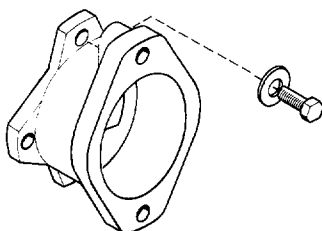
**Adaptor Kits**

Lead Pump	Trailing Pump	List #
SV40	SV10/15, TV15, PSQ	956109
SV40	SV20/25, TV25	956110
SV40	SV40	956106
SV40	EO55	956183
SV40	20L, 20H	956184
SV40	80L, 80M, 80H	956185
SV40	BOSCH "F" Gear	956309
SV40	BOSCH RKP "1in <sup>3</sup> "	956319



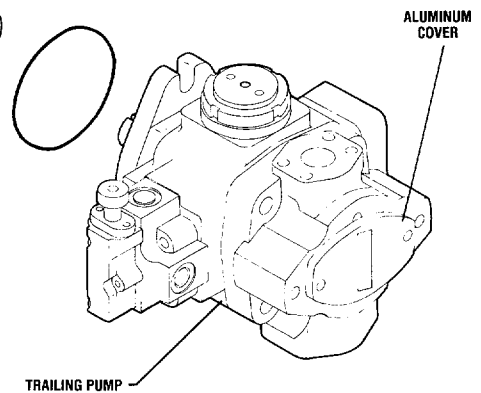
ASSEMBLE WITH DRIVE TANG AS SHOWN

**FOR COMPLETE ADAPTOR KITS AND APPLICABLE PART NUMBERS, PLEASE REFER TO REPAIR PARTS BULLETIN 14.60**



When the Trailing Pump is an SV-40, 80, or 100, the adaptor has two additional mounting holes (total of four).

**NOTE:** Coupling system is a "Wet Design". The lead pump does not have a rear shaft seal. This allows the adaptor to fill with fluid to lubricate and cool the coupling.



**\*\*NOTE:** When the weight of the trailing pump(s) exceeds 65 lbs., this part must be used.  
**\*\*NOTE:** Roll pins should be pressed into pump prior to assembly.

Ref. No.	Part No.	Description	Qty.
1	308513	Rotor Shaft, Keyed	1
1	308564	Rotor Shaft, Thru (-52)	1
1	308563	Rotor Shaft, Splined	1
1	308987	Rotor Shaft, Combination Keyed (-62)	1
2	491043	Key	1/2
3	222827	Body, R.H. Rotation	1
3	222826	Body, L.H. Rotation	1
4	222690	Port Plate, R.H. Body, L.H. Cover	1
5	222601	Bias Cover	1
6	408892	Screw, 7/16-14 x 2	4
7	308508	Bias Piston	1
8	222828	Cover, Rear Ported (-52)	1
8	222936	Cover, Rear Ported (-62)	1
9	400758	Screw, 5/8-11 x 2-1/4	4/2
9	400765	Screw, 5/8-11 x 3-1/2 (Side Ported) -52 only	2
10	222692	Port Plate, R.H. Cover, L.H. Body	1
11	308507	Control Piston	1
12	406309	Screw, 7/16-14 x 1-3/4	4
13	956119	2'nd Stage Compensator Assy.	1
14	—	1'st Stage Compensator Assy.	1
15	956132	Standard 2 Stage Compensator	1
16	401717	Roll Pin	4
17	778041	Bearing Assembly	2
18	222830	Cover, Side Ports - Thru Shaft (-52)	1
18	222981	Cover, Side Ports (-62)	1

Ref. No.	Part No.	Description	Qty.
19	491876	Plug	1
19	794289	Plug Assembly (W/O-Ring)	1
20	400721	Screw, 3/8-16 x 7/8	2
21	222975	End Cover	1
22	309062	Lock Nut	1
23	309060	Stationary Block	1
24	309061	SSI Material Disc	1
25	401215	Screw	2
26	778535	Thrust Block	1
27	308780	Spacer Ring	1
28	308511	Pressure Ring	1
29	308412	Adjustment Screw	1
30	401019	Jam Nut	1
31	222600	Body	1
32	778278	Vane Set (308509 - 11 pcs)	1
33	490977	Spring	1
34	491854	Name Plate	1
35	492114	Rivet	2
36	400925	Pipe Plug, 1/16 NPTF	4
56	308506	Piston	1
57	778463	Thrust Block Assembly	1
58	492143	Acetal Ball	2

## SEAL KITS

### VITON SEALS

Ref. No.	Part No.	Description	Qty.
37	406130	O-Ring, 3/32 x 2-5/16 x 2-1/2	1
38	406703	O-Ring, 1/8 x 4-1/8 x 4-3/8	2
39	491386	Back-Up Ring	2
40	406513	O-Ring, 3/32 x 1-9/16 x 1-3/4	2
41	491385	Back-Up Ring	2
42	491257	O-Ring, 3/32 x 2-1/8 x 2-5/16	2
43	491047	Back-Up Ring	2
44	406565	O-Ring, 1/16 x 7/16 x 9/16	1
45	406265	O-Ring, 1/16 x 3/16 x 5/16	1
46	405422	O-Ring, 1/16 x 2-1/8 x 2-1/4	1/2
47	723650	Shaft Seal Assembly	1/2
48	406518	O-Ring, 3/32 x 9/16 x 3/4	2
49	491354	Back-Up Ring	1
50	405070	O-Ring, 1/8 x 2-3/8 x 2-5/8	1
51	406797	O-Ring, 1/16 x 5/16 x 7/16	3
52	406800	O-Ring, 3/32 x 2-3/16 x 2-3/8	1
53	406636	O-Ring, 3/32 x 3/8 x 9/16	1
54	492568	Gasket	1
55	407150	O-Ring, 1/8 x 5-1/4 x 5-1/2	1

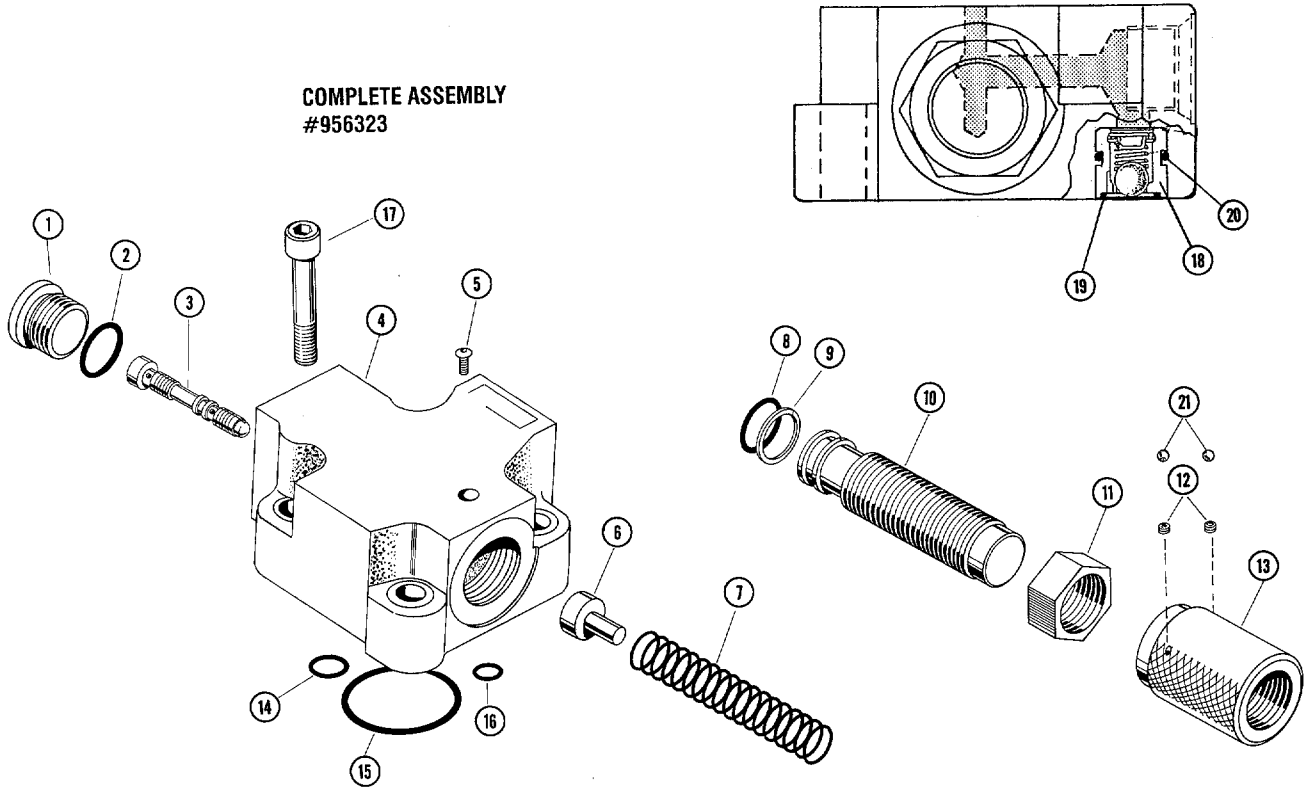
Viton Seal Kits:  
 Single End Shaft & Combination ..... 723731  
 Double End Shaft ..... 794117

## REPAIR KITS

Description	Kit No.
Single End Shaft Viton	794121
Splined Shaft Viton	794123
Double End Shaft Viton (-52)	794125
Combination Shaft Viton (-62)	794403

Each kit contains two bearings, one rotor, one set of vanes, one pressure ring, four roll pins, one or two keys, one Seal Kit and two port plates.

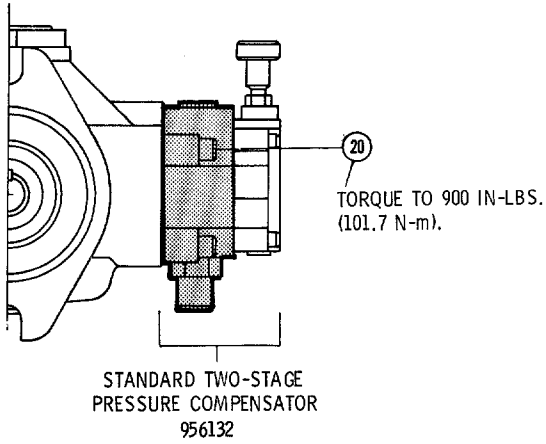
**COMPLETE ASSEMBLY  
#956323**



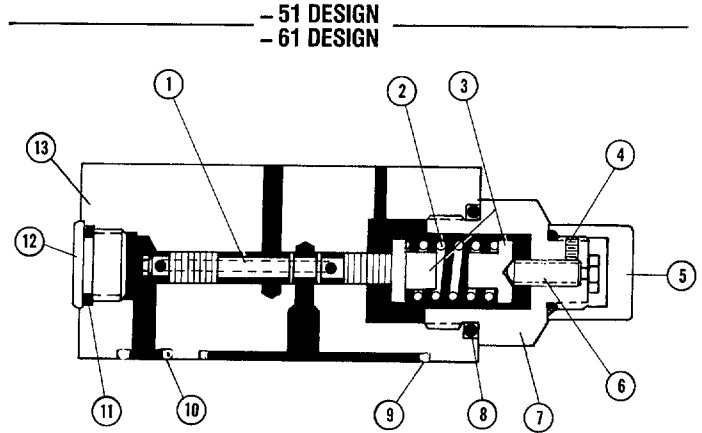
Ref.	List	Description	Qty.
1.	491832	#8 SAE Hollow Plug	1
2.	407139	O-Ring (-908) Viton	1
3.	309298	Spool	1
4.	22311	Body	1
5.	457603	Screw #8-32UNCX.25	1
6.	309299	Spring Seat	1
7.	457642	Spring	1
8.	406707	O-Ring -020 Viton	1
9.	457626	Back-up Ring	1
10.	309300	Adj. Barrel	1
11.	309301	Locknut	1

Ref.	List	Description	Qty.
12.	457688	Set Screw 1/4-20x1/8	2
13.	309302	Stop Nut & Knob	1
14.	406636	O-Ring -010 Viton	1
15.	406800	O-Ring -110 Viton	1
16.	406265	O-Ring -008 Viton	2
17.	406309	Mounting Bolts	4
18.	778413	Drain Check Ass.	1
19.	406215	O-Ring -014 Viton	1
20.	406518	O-Ring -113 Viton	2
21.	457689	Acetal Ball Ø 9/64	2

# STANDARD TWO-STAGE COMPENSATOR—FIRST STAGE

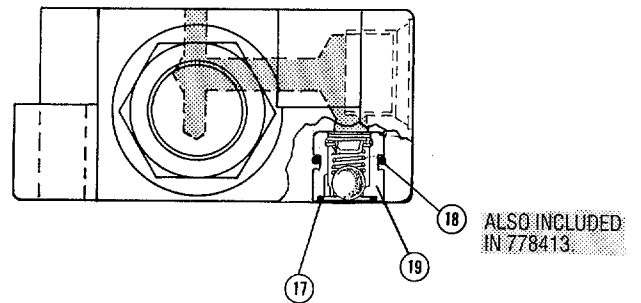


NOTE: THE FIRST STAGE CANNOT  
BE PURCHASED WITHOUT  
THE SECOND STAGE.



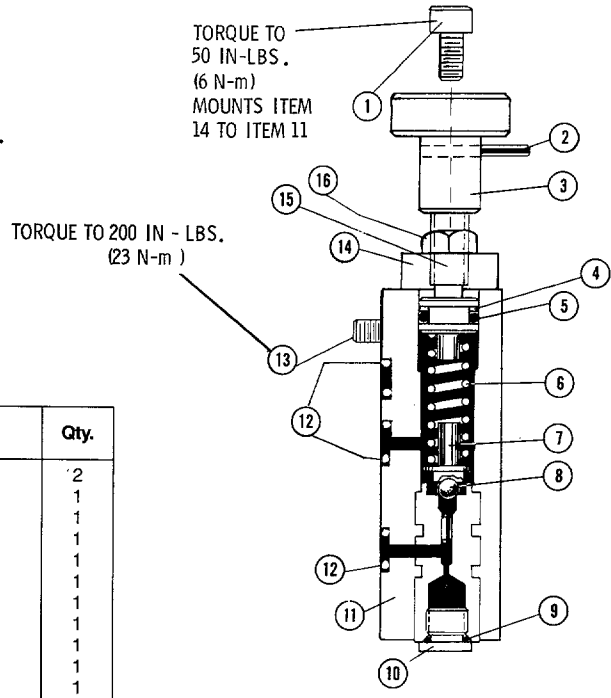
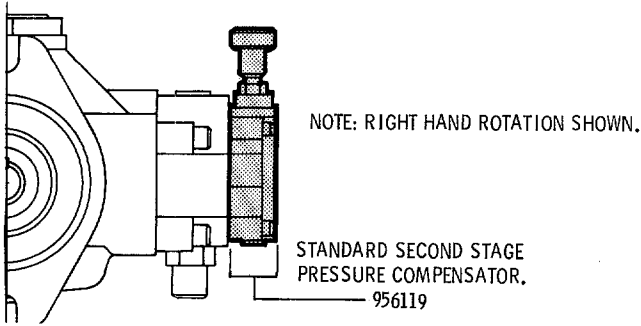
Ref. No.	Part No.	Description	Qty.
1	308747	Spool	1
2	491833	Spring	1
3	308744	Spring Seal	2
4	308637	Set Screw -5/16-61 Void	1
5	308936	Safety Cap	1
6	308734	Adjusting Screw -5/16-61 Void	1
7	308746	Adaptor -5/16-61 Void	1
* 8	407102	O-Ring, #14 SAE (-914)	1
* 9	406800	O-Ring, 3/32 x 2-3/16 x 2-3/8	1
* 10	406636	O-Ring, 3/32 x 5/16 x 7/16	1
* 11	407139	O-Ring, #8 SAE (-908)	2
12	491832	Plug, #8 SAE	1
13	223053	1'st Stage Body	1
14	309053	Adaptor	1
15	309049	Jam Nut	1
16	778459	Adjusting Screw w/Lock Nut	1
* 17	406215	O-Ring, 1/16 x 1/2 x 5/8	1
18	406518	O-Ring, 3/32 x 9/16 x 3/4	1
19	778413	Drain Check Assembly	1
20	406309	Screw, 7/16-14 x 1-3/4	4

\* Included in Seal Kit 723731



# STANDARD TWO-STAGE COMPENSATOR — SECOND STAGE

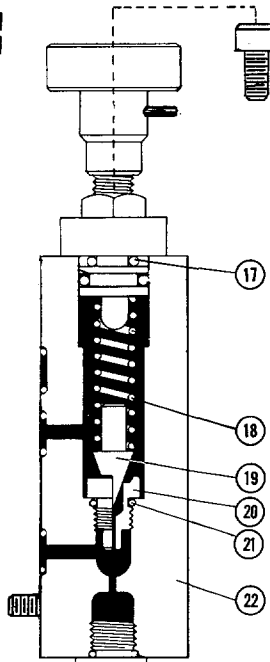
- 50 DESIGN



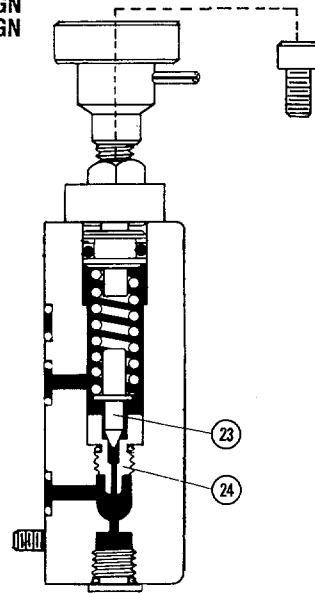
Ref. No.	Part No.	Description	Qty.
1	402396	Screw, #10-24 x 1/2	2
2	401714	Roll Pin	1
3	308730	Knob	1
* 4	490418	Back-Up Ring	1
* 5	406579	O-Ring, 3/32 x 7/16 x 5/8	1
6	406239	Spring Void	1
7	308861	Spring Seat Void	1
8	492209	Tungsten Carbide Ball Void	1
* 9	407141	O-Ring, #4 SAE (-904)	1
10	490708	Plug, #4 SAE	1
11	778313	Body Assembly (-50) Void	1
* 12	406797	O-Ring, 1/16 x 5/16 x 7/16	3
13	400779	Screw, 1/4-20 x 1-1/4	3
14	221777	Retaining Cap	1
15	309028	Adjusting Screw	1
16	401011	Lock Nut	1
* 17	492455	O-Ring, 3/32 x 5/16 x 1/2 (-51/61) Void	1
18	407846	Spring (-51/52 & -61/62)	1
19	307161	Poppet (-51/61 Only) Void	1
20	308012	Seat (-51/61 Only) Void	1
* 21	407123	O-Ring, #3 SAE (-903)	1
22	222962	Body (-51/52 & -61/62)	1
23	309057	Poppet (-52/62 Only)	1
24	778462	(-52/62 Only) Seat w/O-Ring	1

\* Included in Seal Kit 723731

- 51 DESIGN  
- 61 DESIGN



- 52 DESIGN  
- 62 DESIGN



9 535 233 245  
HPUS RSB 003/18 US (10.95)

---

ROBERT BOSCH FLUID POWER CORPORATION  
P.O. BOX 2025  
RACINE, WISCONSIN 53401-2025 U.S.A.  
Phone (414)554-7100, Fax (414)554-7117



**BOSCH**

PRINTED IN U.S.A.