



BOSCH

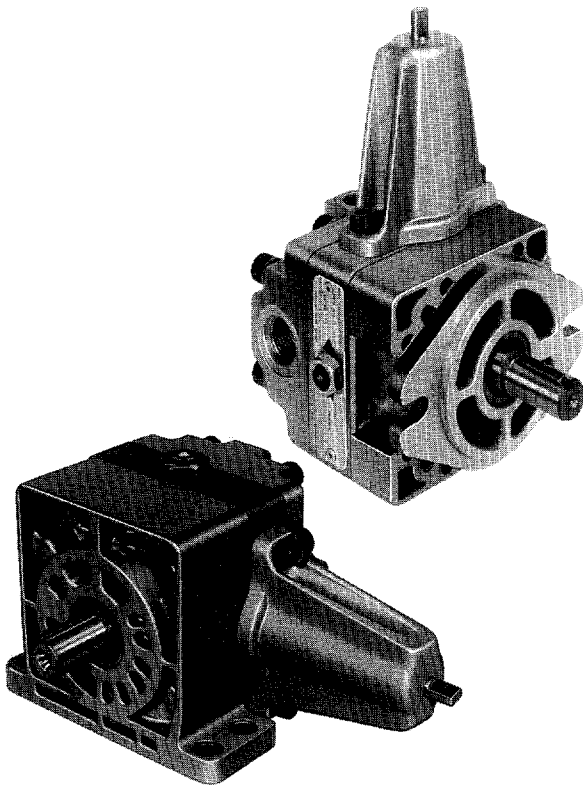
REPAIR PARTS

VARIABLE VOLUME VANE PUMP SPRING GOVERNED

MODEL PSQ

500 PSI
1000 PSI
1500 PSI
7.5 GPM
& 9.5 GPM

SUBPLATE AND FLANGE MOUNTED

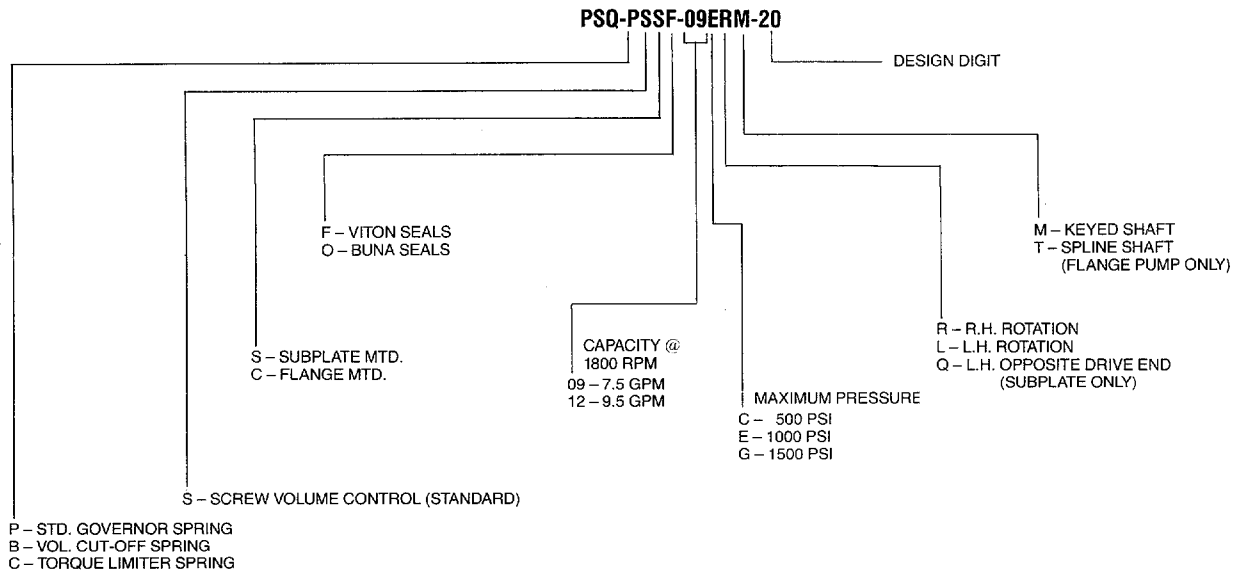


WHEN ORDERING PARTS, FURNISH:

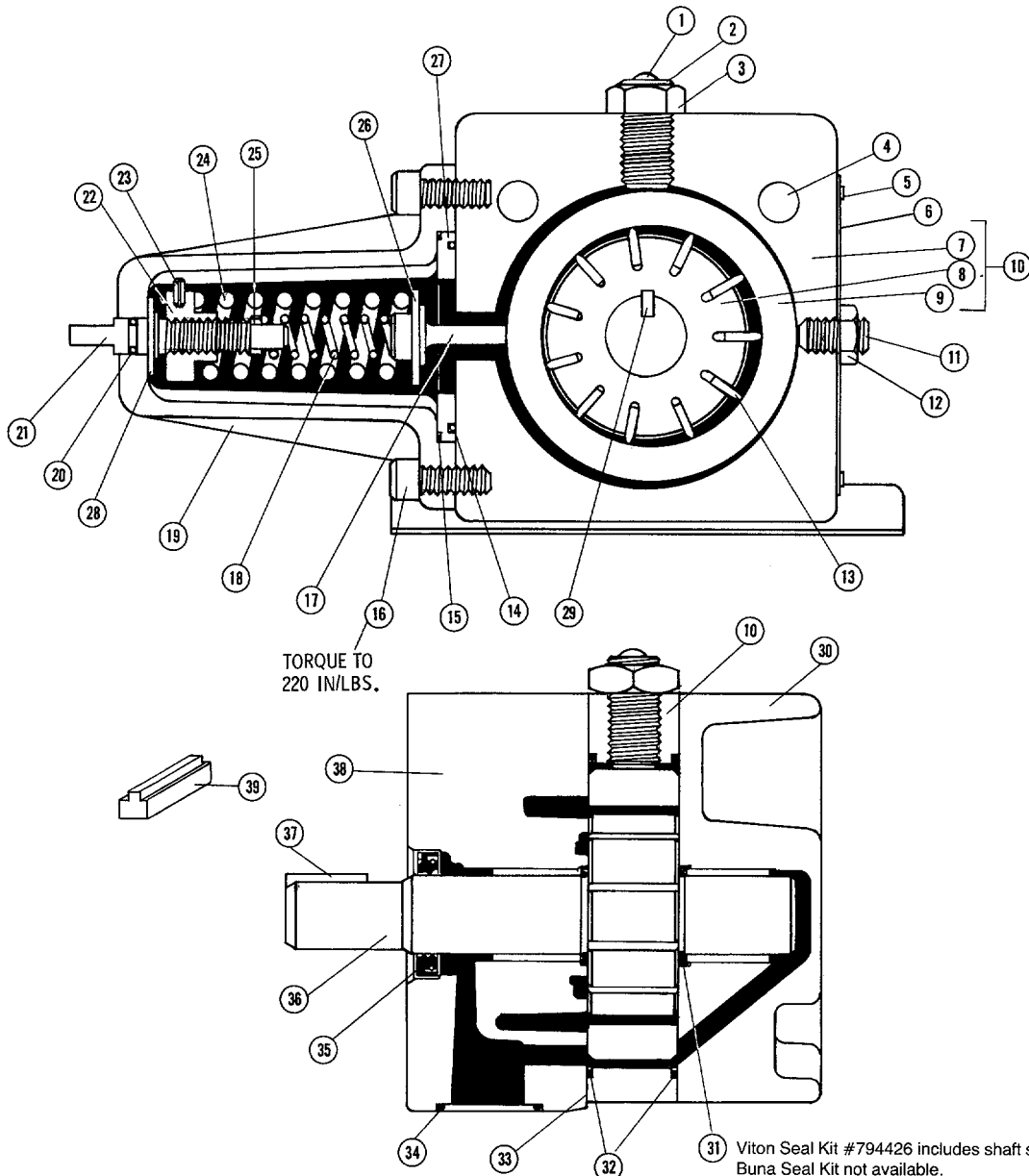
1. COMPLETE CODE NUMBER
2. PARTS REQUIRED
3. SHIPPING INSTRUCTIONS

WRITE FACTORY FOR NEAREST AUTHORIZED PARTS AND SERVICE CENTER.

PUMP CODING



SUBPLATE MOUNTED



TORQUE TO
220 IN/LBS.

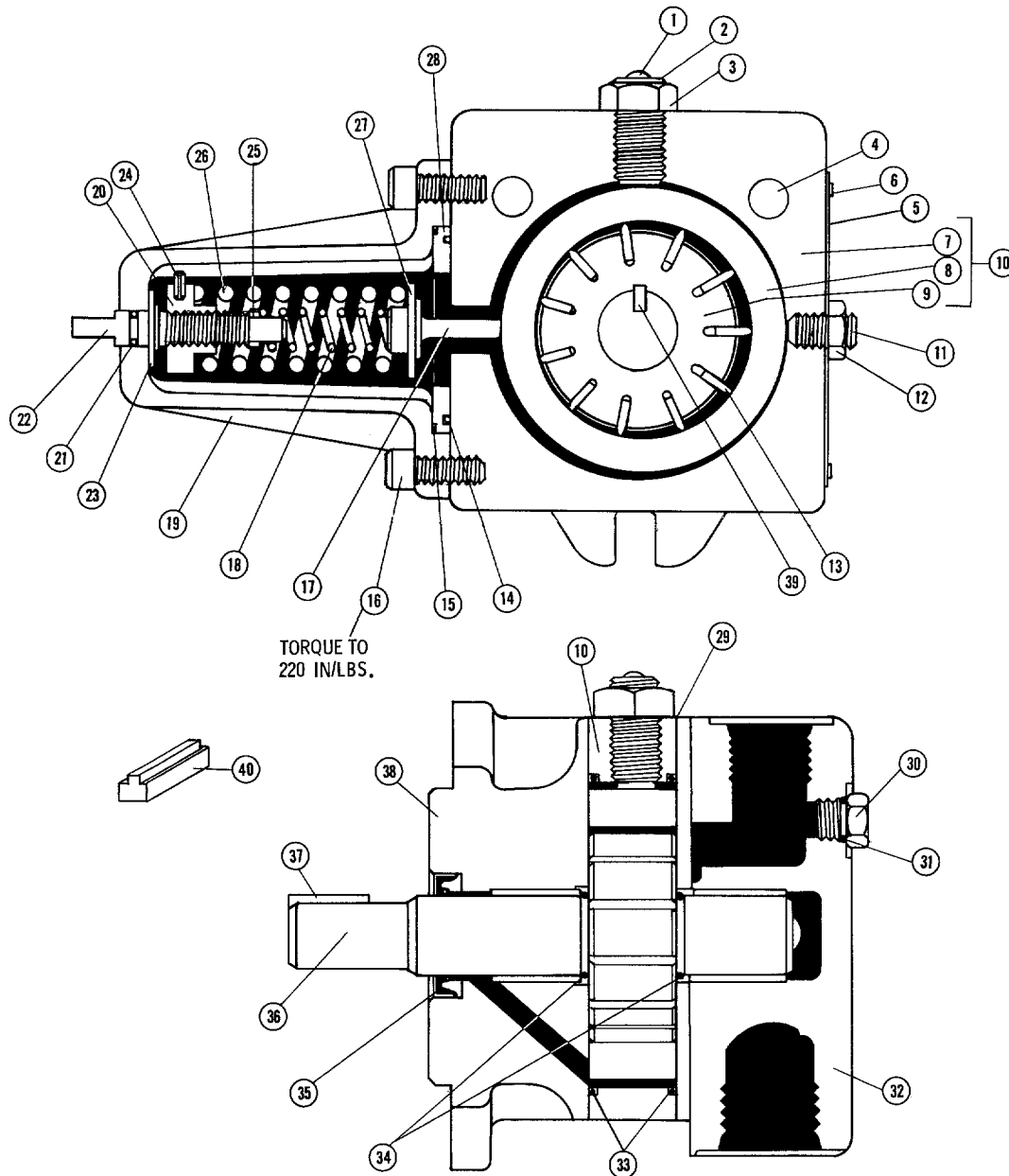
Viton Seal Kit #794426 includes shaft seal which is also part of body assembly.
Buna Seal Kit not available.

| Ref. No. | Part No. | Description | Qty. |
|----------|----------|----------------------------------|------|
| 1 | 492440 | Delrin Ball | 1 |
| 2 | 309178 | Thrust Screw | 1 |
| 3 | 492439 | Lock Nut | 1 |
| 4 | 491842 | Dowel Pin | 2 |
| 5 | 491865 | Rivet | 2 |
| 6 | 492637 | Nameplate | 1 |
| 7 | See | Center Body | 1 |
| 8 | Item | Rotor | 1 |
| 9 | #10 | Pressure Ring | 1 |
| 10 | 778544 | Matched Rotating Group – 7.5 GPM | 1 |
| 10 | 778545 | Matched Rotating Group – 9.5 GPM | 1 |
| 11 | 491845 | Volume Control Screw | 1 |
| 12 | 401011 | Lock Nut | 1 |
| 13 | 778277 | Vane Set | 1 |
| 14 | 407105 | O-Ring, 1/16 × 1-1/2 × 1-5/8 | 1 |
| 15 | 406712 | O-Ring, 3/32 × 1-11/16 × 1-7/8 | 1 |
| 16 | 400798 | Screw, 5/16-18 × 3/4 | 2 |
| 17 | 309177 | Steel Spring Seat | 1 |
| 18 | 408706 | Spring | 1 |
| 19 | 222823 | Governor Housing | 1 |
| 20 | 406270 | O-Ring, 1/16 × 1/4 × 3/8 | 1 |
| 21 | 309038 | Adjusting Screw | 1 |
| 22 | 309039 | Adjustable Spring Seat | 1 |

| Ref. No. | Part No. | Description | Qty. |
|----------|----------|---|------|
| 23 | 402265 | Roll Pin | 1 |
| 24 | 492469 | Spring, Std. Governor | 1 |
| 24 | 492500 | Spring, 'B' Governor | 1 |
| 24 | 492471 | Spring, 'C' Governor | 1 |
| 25 | 404864 | Roll Pin | 1 |
| 26 | 491872 | Washer | 1 |
| 27 | 222824 | Seal Plate | 1 |
| 28 | 492468 | Thrust Washer | 1 |
| 29 | 492155 | Woodruff Key | 1 |
| 30 | 725530 | End Body Assembly (R.H. Rotation) | 1 |
| 30 | 725549 | End Body Assembly (L.H. Opposite Drive) | 1 |
| 31 | 492150 | Retaining Ring | 2 |
| 32 | 492011 | O-Ring, .070 × 3.30 × 3.44 | 2 |
| 33 | 491902 | Shim (.0015) | 1 |
| 34 | 725544* | Seal Kit (Viton) | 1 |
| 35 | 493205 | Shaft Seal (Viton) | 1 |
| 35 | 492299 | Expansion Plug (Opposite Drive) | 1 |
| 36 | 309204 | Keyed Shaft | 1 |
| 37 | 403258 | Key | 1 |
| 38 | 725551 | Front Body Assembly (Viton) (R.H. Rotation) | 1 |
| 38 | 725537 | Front Body Assembly (L.H. Opposite Drive) | 1 |
| 39 | 492163 | Key (Retrofit PSQ to PVQ) | 1 |

*Contains (3) 406555 O-ring 3/32 x 13/16 x 1 and Installation Page.

FLANGE MOUNTED

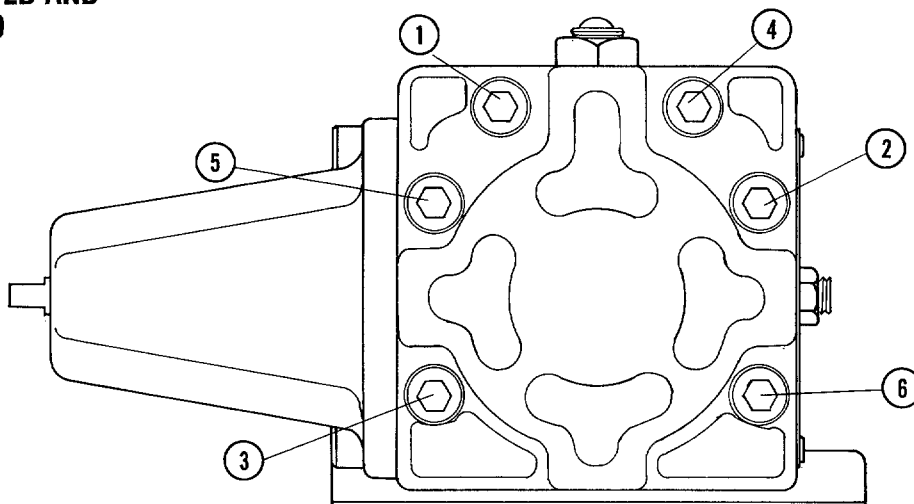


Viton Seal Kit #794426 includes shaft seal which is also part of body assembly.
Buna Seal Kit not available.

| Ref. No. | Part No. | Description | Qty. | Ref. No. | Part No. | Description | Qty. |
|----------|----------|----------------------------------|------|----------|----------|-----------------------------------|------|
| 1 | 492440 | Delrin Ball | 1 | 23 | 492468 | Thrust Washer | 1 |
| 2 | 309178 | Thrust Screw | 1 | 24 | 402265 | Roll Pin | 1 |
| 3 | 492439 | Lock Nut | 1 | 25 | 404864 | Roll Pin | 1 |
| 4 | 491842 | Dowel Pin | 2 | 26 | 492469 | Spring, Standard Governor | 1 |
| 5 | 492637 | Nameplate | 1 | 26 | 492500 | Spring, 'B' Governor | 1 |
| 6 | 491865 | Rivet | 2 | 26 | 492471 | Spring, 'C' Governor | 1 |
| 7 | See | Center Body | 1 | 27 | 491872 | Washer | 1 |
| 8 | Item | Pressure Ring | 1 | 28 | 222824 | Seal Plate | 1 |
| 9 | #10 | Rotor | 1 | 29 | 492204 | Shim (.0020) | 1 |
| 10 | 778544 | Matched Rotating Group - 7.5 GPM | 1 | 30 | 355098 | Plug, #4 SAE | 1 |
| 10 | 778545 | Matched Rotating Group - 9.5 GPM | 1 | 31 | 406879 | O-Ring, #4 SAE (-904) | 1 |
| 11 | 491845 | Volume Control Screw | 1 | 32 | 725534 | End Body Assembly (R.H. Rotation) | 1 |
| 12 | 401011 | Lock Nut | 1 | 32 | 725535 | End Body Assembly (L.H. Rotation) | 1 |
| 13 | 778277 | Vane Set | 1 | 33 | 492011 | O-Ring, .070 x 3.30 x 3.44 | 2 |
| 14 | 407105 | O-Ring, 1/16 x 1-1/2 x 1-5/8 | 1 | 34 | 492150 | Retaining Ring | 2 |
| 15 | 406712 | O-Ring, 3/32 x 1-11/16 x 1-7/8 | 1 | 35 | 493205 | Shaft Seal (Viton) | 1 |
| 16 | 400798 | Screw, 5/16-18 x 3/4 | 2 | 36 | 309204 | Keyed Shaft | 1 |
| 17 | 309177 | Steel Spring Seat | 1 | 36 | 309205 | Splined Shaft | 1 |
| 18 | 408706 | Spring | 1 | 37 | 403258 | Key | 1 |
| 19 | 222823 | Governor Housing | 1 | 38 | 725548 | Front Body Assembly (Viton) | 1 |
| 20 | 309039 | Adjustable Spring Seat | 1 | 39 | 492155 | Woodruff Key | 1 |
| 21 | 406270 | O-Ring, 1/16 x 1/4 x 3/8 | 1 | 40 | 492163 | Key (Retrofit PSQ to PVQ) | 1 |
| 22 | 309038 | Adjusting Screw | 1 | — | 355097 | Plug, #6 SAE (Not Shown) | 1 |
| | | | | — | 406600 | O-Ring, #6 SAE (-906) (Not Shown) | 1 |

TORQUE SEQUENCE

SUBPLATE MOUNTED AND FLANGE MOUNTED



Notes: Bolt torquing must be done in sequence below to avoid damaging covers.

- (1) Torque sequence for Cap Screws:
 - (A) Torque 6 screws on rear cover to 50-100 in.-lbs. in numerical order as shown.
 - (B) Torque 6 screws on rear cover to 360 ± 40 in.-lbs. in numerical order as shown.
- (2) Prior to assembly, coat both faces of rotor with lubricant 492273 (STP)
- (3) 492440 ball is to be peened into socket after test, and thrust screw setting rechecked.

SUBPLATE MOUNTED

| Ref. No. | Part No. | Description | Qty. |
|----------|----------|-------------|------|
| 1,4 | 400814 | Cap Screws | 2 |
| 2,3,5,6 | 400807 | Cap Screws | 4 |

FLANGE MOUNTED

| Ref. No. | Part No. | Description | Qty. |
|----------|----------|-------------|------|
| 1,4 | 400816 | Cap Screws | 2 |
| 2,3,5,6 | 400815 | Cap Screws | 4 |

9 535 233 265
HPUS RSB 003/6 US (1.96)

