

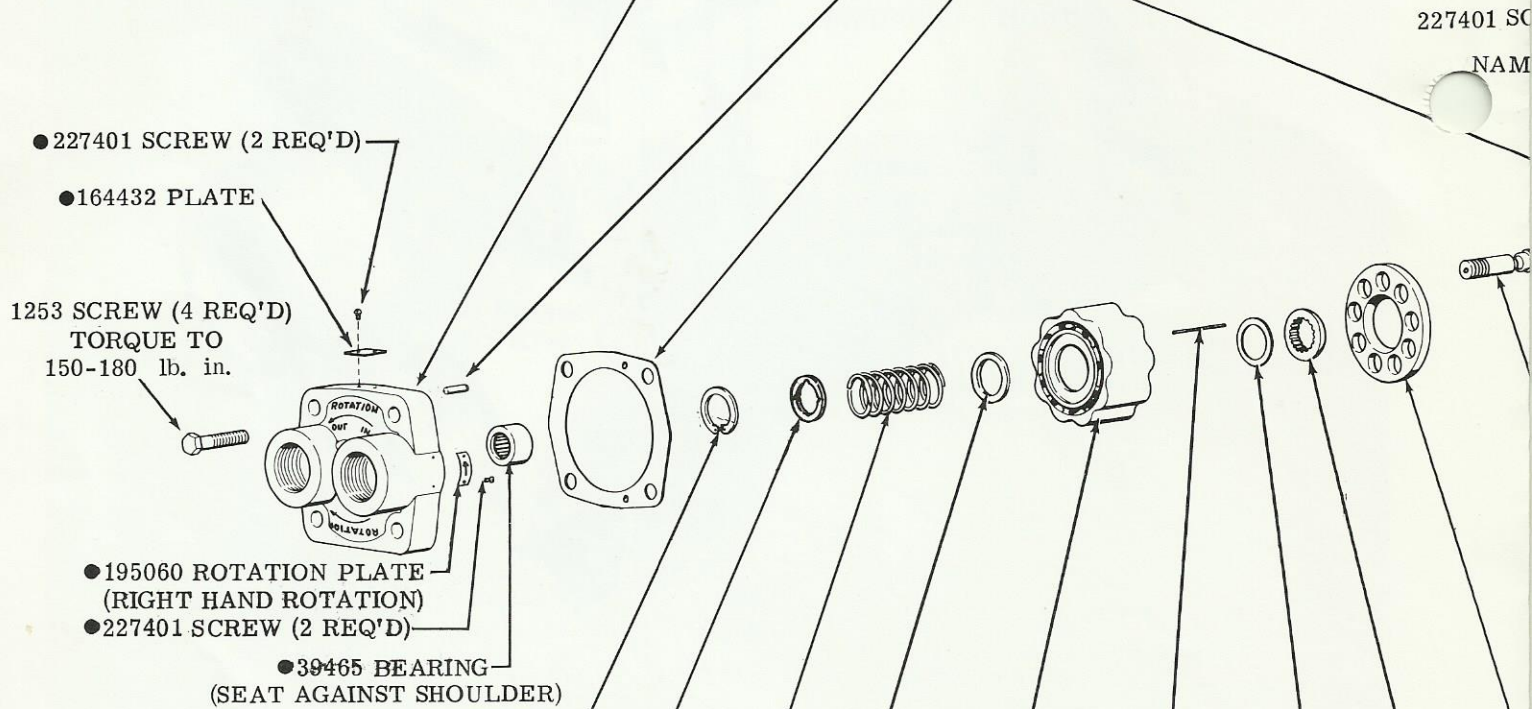
# 5 GPM Fixed Inline Piston Units

PFB5-(F)R(Y)-21  
PFB5-(F)L(Y)-21

(M)-\*FB5-(F)U(Y)-11/20  
PMFB5-(F)U-10



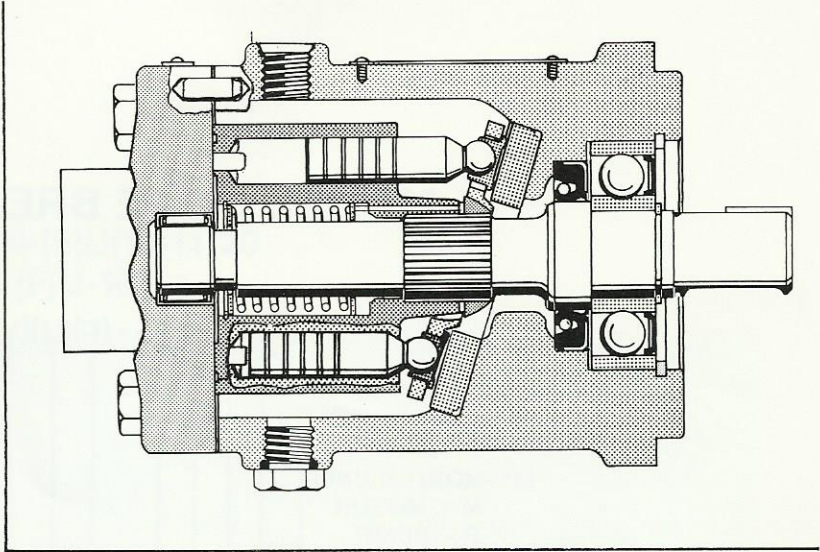
MODEL	● VALVE PLATE S/A	PIN (2 REQ'D)	GASKET	HOUSING
PMFB5-U-10	—	12987	▲231643	231559
*FB5-(F)U(Y)-11	938551	167237	▲279614	274668
*FB*-(F)U(Y)-20				323951
PFB5-(F)R(Y)-21	942313			
PFB5-(F)L(Y)-21	942314			



MODEL	RET. RING	LIFT LIMITER	SPRING	WASHER	CYLINDER BLOCK	PIN (3 REQ'D)	WASHER	WASHER	PLATE
PMFB5-U-10									
PFB5-(F)U(Y)-11/20/21	165385	273409	274787	275474	274670	248203	274956	275485	27424
(M)-MFB5-(F)U(Y)-11/20			272015		316000				
M-MFB6-**-20					290059				

THESE PARTS ARE INCLUDED IN ROTATING GROUP K

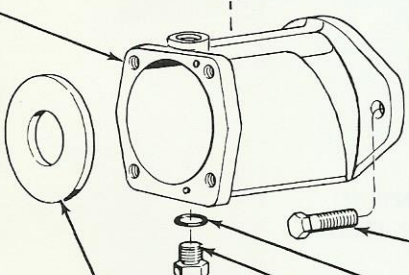
● INCLUDED IN VALVE PLATE S/A



▲ 237014 SEAL  
ASSEMBLE WITH SPRING  
TOWARD INSIDE OF UNIT

190362 WASHER  
USED ONLY ON  
\*FB5-(F)U(Y)-11/20/21

SCREW (2 REQ'D)  
PLATE



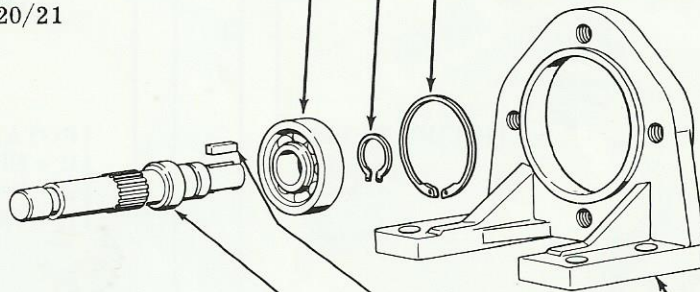
177939 SCREW (2 REQ'D)  
(P)\*FB5-F\*\*\* ONLY

MODEL	PLUG	"O" RING
*FB5-(F)U(Y)-10/11	189087	▲154126
*FB*-(F)U(Y)-2*	181728	▲154128
PFB5-*R/L*-21		

283233 BEARING

93653 RETAINING RING

140356 RETAINING RING



FB-A-10  
(INCLUDES SCREWS)

MODEL	SHAFT	KEY
*FB5-U-11/2*	274669	157671
*FB5-UY-11/20	266161	142843
PFB5-*R/L*-21		
PMFB5-U-10	#274669	157671
M-MFB*-*G-20	295237	

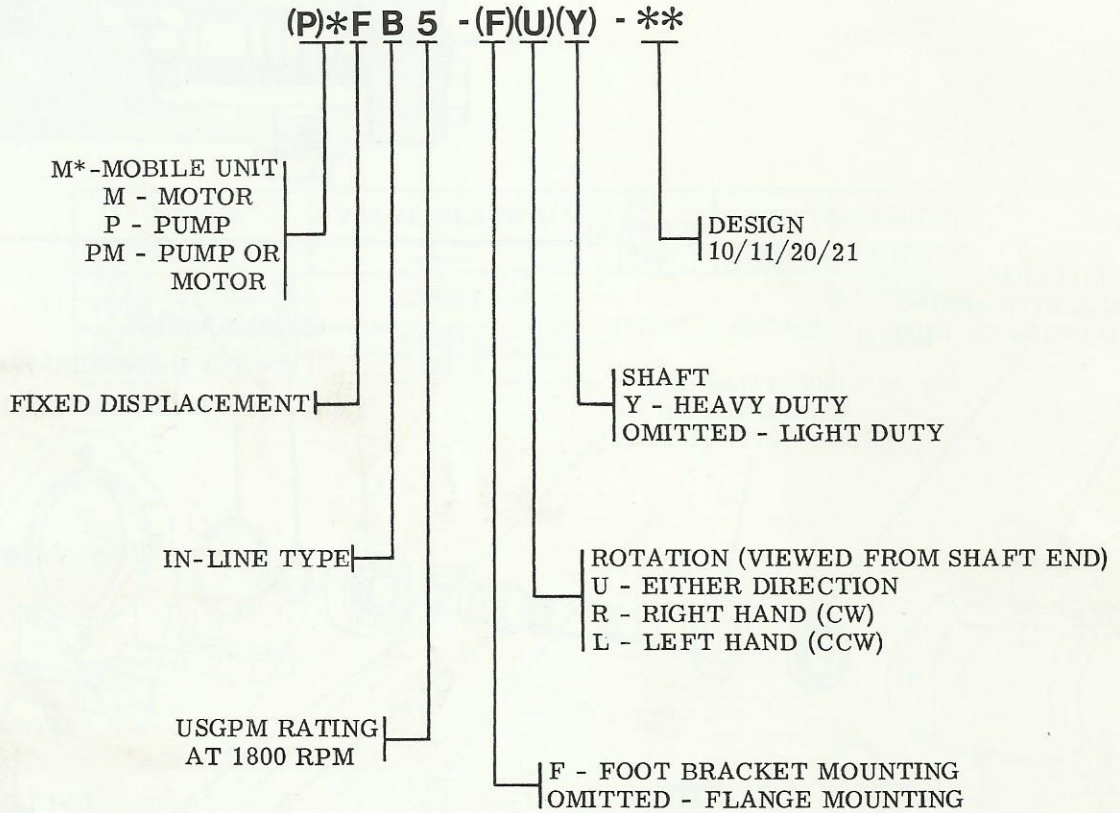
PISTON S/A KIT	SWASH PLATE	ROTATING GROUP KIT
		938260
942229	319245	938262
		938265
12350	344049	922994

F3 EQUIVALENT  
SEAL KIT 919311

▲ INCLUDED IN  
919239 SEAL KIT

#WHEN ORDERING THIS SHAFT, ALSO  
ORDER 273409 LIFT LIMITER

# MODEL CODE BREAKDOWN



For satisfactory service life of these components, use full flow filtration to provide fluid which meets ISO cleanliness code 16/13 or cleaner. Selections from Vickers OFP, OFR, and OFRS series are recommended.