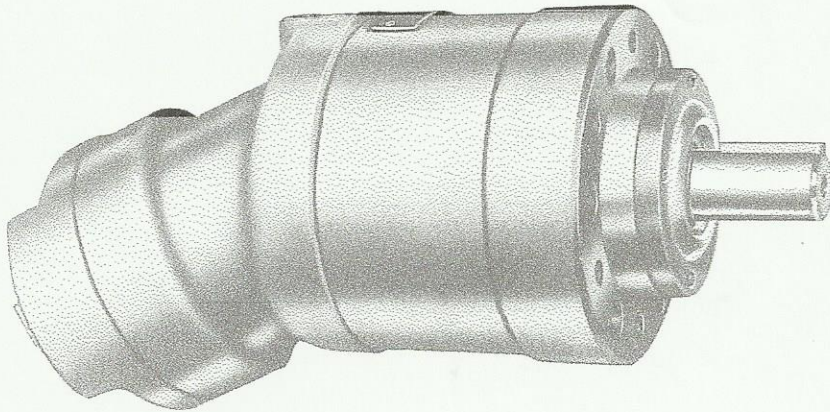


 SPERRY RAND

**FIXED DELIVERY
PISTON PUMPS**

VICKERS



**SERVICE
PARTS
INFORMATION**

**Models: P2F-76-2
P2F-95-2
PF-2020-*10, 20 & 21 Designs**

INDUSTRIAL DIVISION
TROY, MICHIGAN 48064

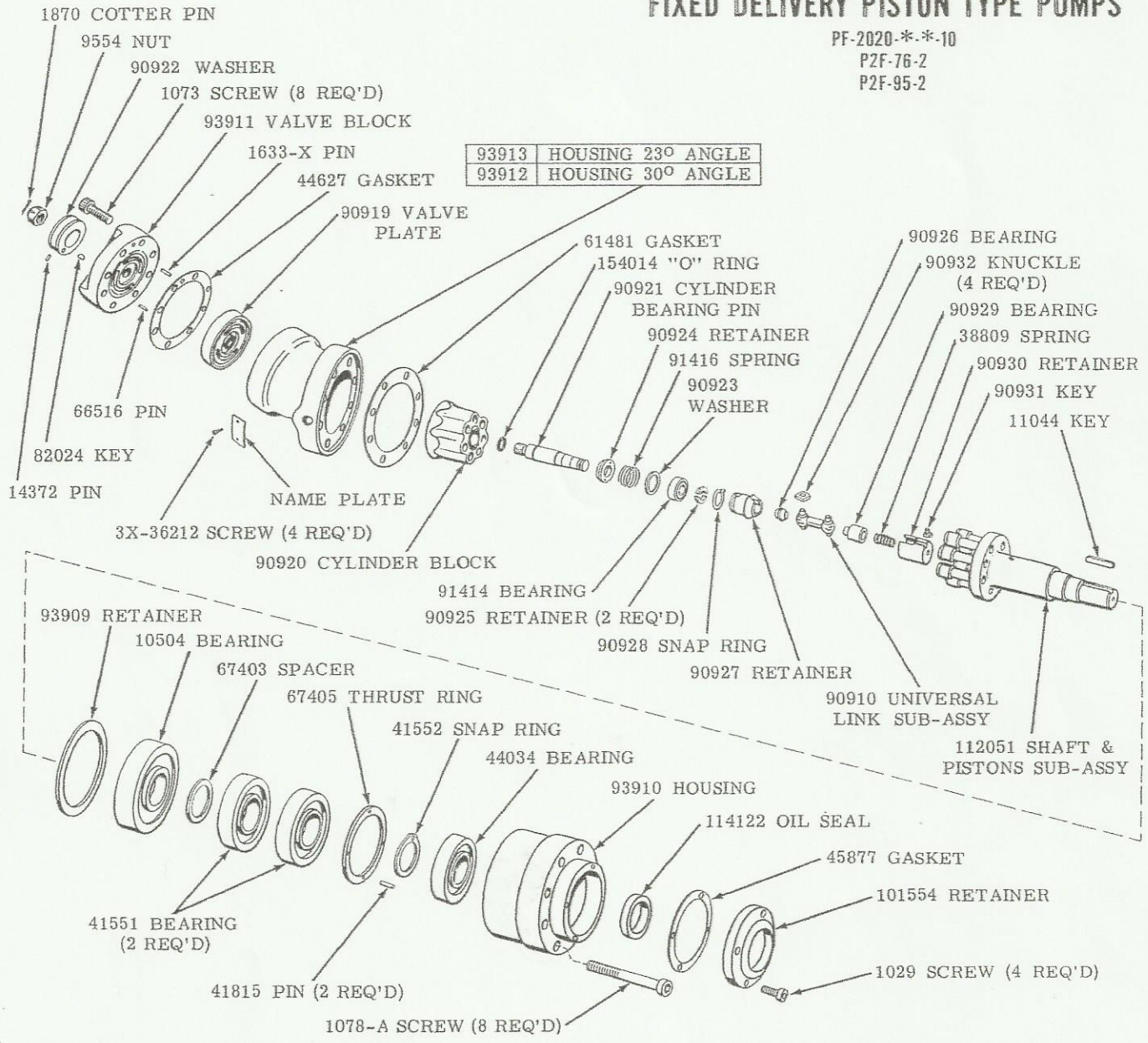
I-1682-S

FIXED DELIVERY PISTON TYPE PUMPS

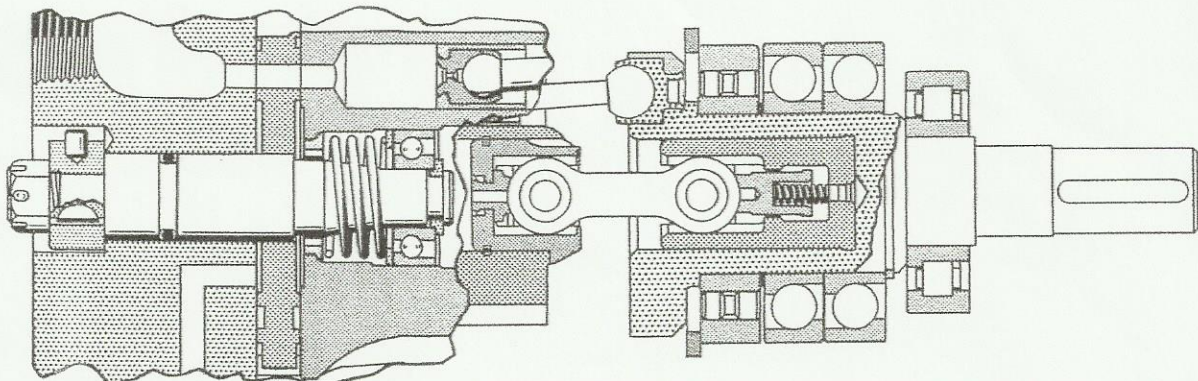
PF-2020-*. *-10

P2F-76-2

P2F-95-2



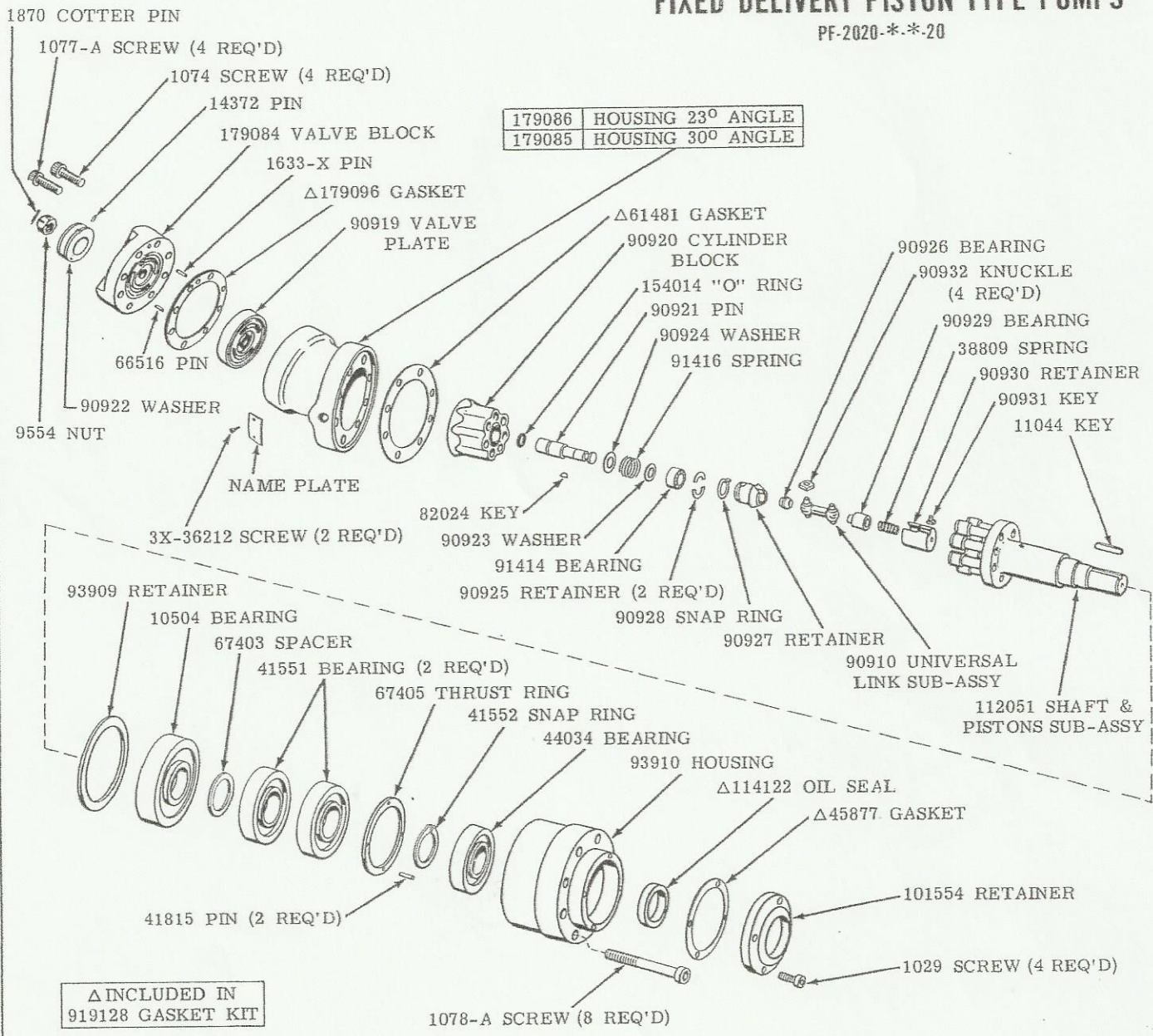
938002 ROTATING GROUP SUBASSEMBLY



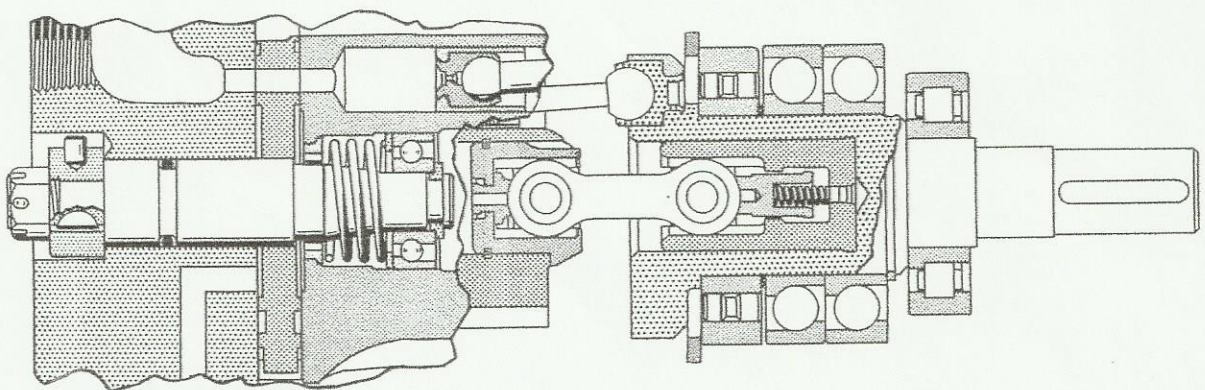
NOTE: THIS CATALOG SUPERSEDES IN PART I-935-S AND I-1228-S

FIXED DELIVERY PISTON TYPE PUMPS

PF-2020-*. *-20

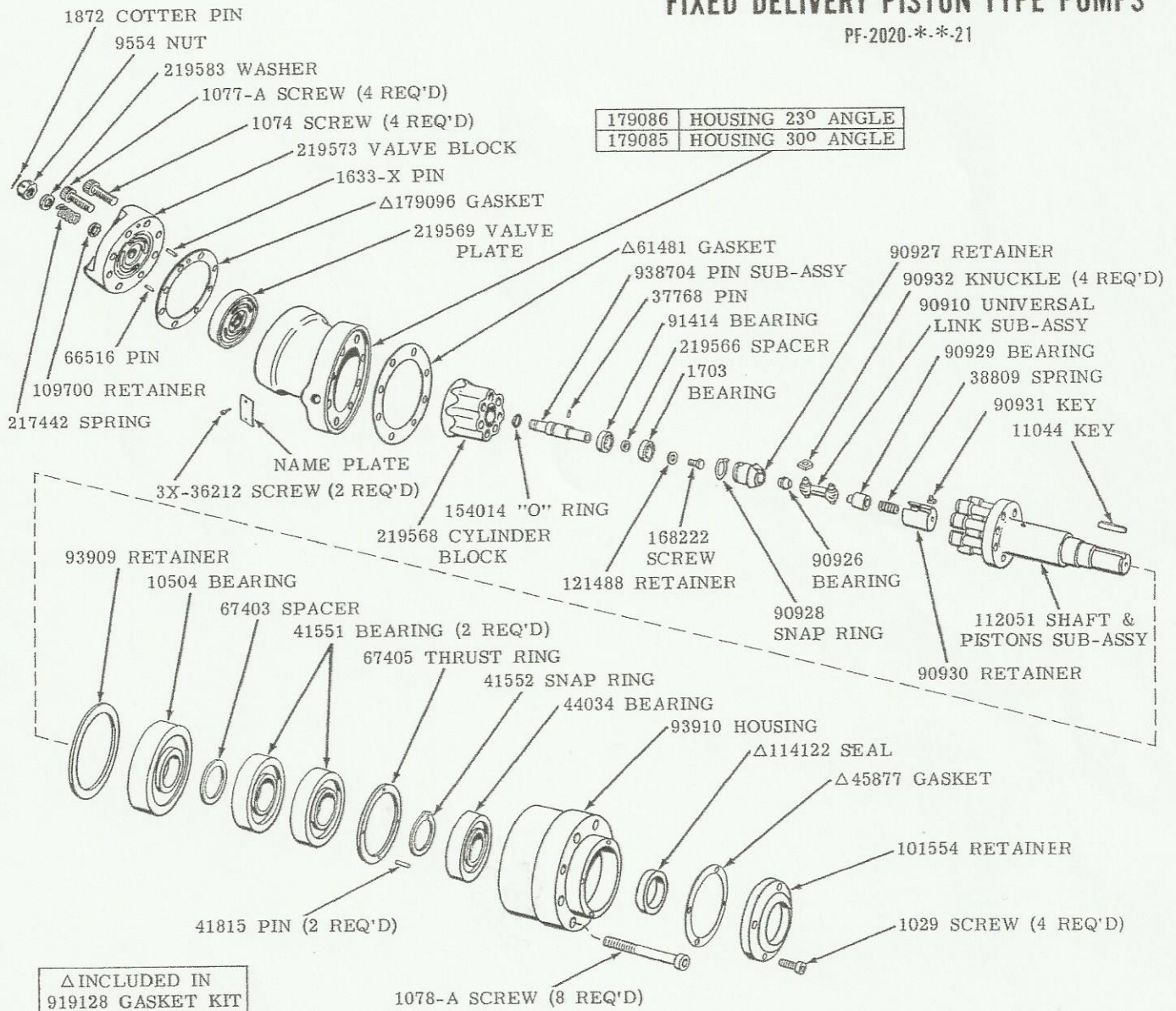


938002 ROTATING GROUP SUBASSEMBLY



FIXED DELIVERY PISTON TYPE PUMPS

PF-2020-*-*21



938004 ROTATING GROUP SUBASSEMBLY

To insure proper clearance (see inset view) tighten 9554 nut so valve block, valve plate and cylinder block are clamped snugly together. Then back the nut off from 45 to 75 degrees to align the slot with the key hole in the pin. See Service Letter I-78.

