

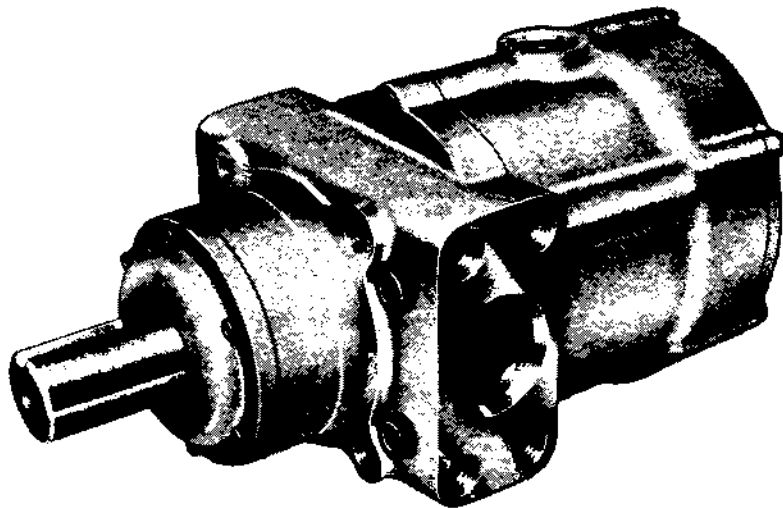
**DENISON**

**Hydraulics**

**SERVICE LITERATURE**

**AXIAL PISTON CONSTANT VOLUME PUMPS**

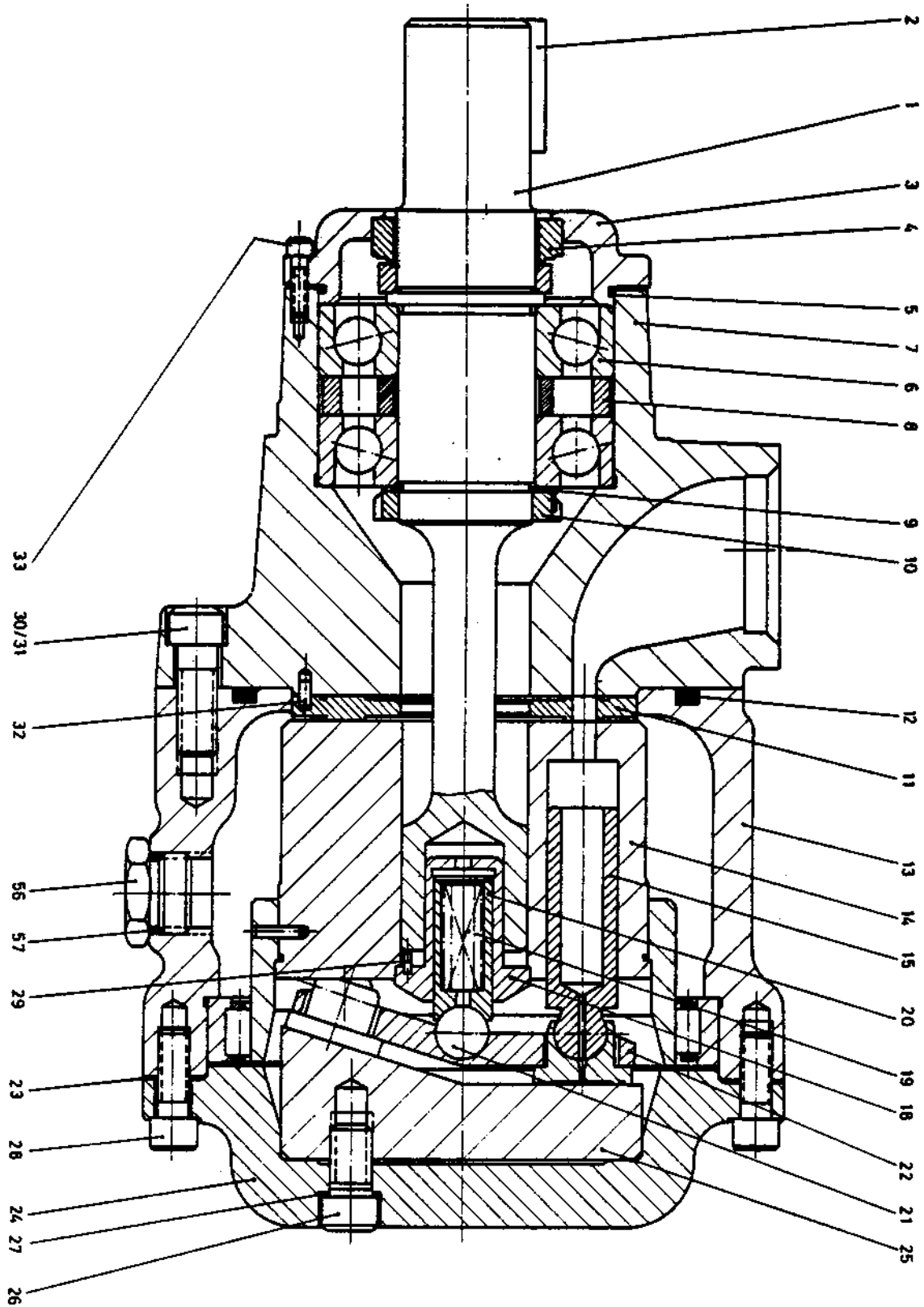
**MODEL PF09  
with Spring Hold Down**



REF. NO.	PART NO.	DESCRIPTION	QTY
1	035-40968	Shaft-Drive	1
2	035-20102	Key-Shaft	1
3	035-40981	Retainer-Shaft Seal	1
4	623-12322	Seal-Mechanical Shaft	1
5	671-00246	O-Ring - Seal Retainer	1
6	230-82045	Bearing-Ball - Drive Shaft (Pair)	1
7	035-40987	Port Block	1
8	S15-13591	Spacers-Shaft Bearing - Sub-Ass'y	1
9	350-01011	Lockwasher - Shaft Bearing	1
10	341-10011	Locknut - Shaft Bearing	1
11	SEE BELOW	Port Plate -	1
12	671-00441	O-Ring - Body	1
13	035-44959	Body - Constant Volume	1
14	SEE PAGE 4	Barrel & Bearing Ass'y	1
15	SEE BELOW	Piston & Shoe Ass'y	7
18	035-41029	Retainer - Hold Down Spring	1
19	035-40961	Spring - Hold Down	1
20	035-41028	Socket - Hold Down Spring	1
21	201-28001	Ball - Hold Down - 7/8 Dia.	1
22	035-40966	Retainer - Piston Shoe	1
23	035-44960	Gasket - End Cap	1
24	035-44961	End Cap - Constant Volume	1
25	035-40965	Cam Plate - 17° 28' - 43.5 GPM	1
26	358-24186	SCR-SHC - 5/8 - 11 UNC x 1 1/4 - Cam Plate (Nyllok)	1
27	035-22735	Gasket - Cam Plate	1
28	358-20220	SCR-SHC - 1/2 - 13 UNC x 1 3/4 LG - End Cap	12
29	324-20806	Dowel Pin - 1/8 Dia. x 3/8 LG - Retainer	1
30	358-24200	SCR-SHC - 5/8 - 11 UNC x 1 1/2 LG Port Block	2
31	358-24360	SCR-SHC - 5/8 - 11 UNC x 4 LG - Port Block	4
32	324-21208	Dowel Pin - 3/16 Dia. x 1/2 LG - Port Plate	1
33	358-12160	SCR-SHC - 1/4 - 20 UNC x 1 LG - Seal Retainer	6
34	358-26260	SCR-SHC - 3/4 - 10 UNC x 2 1/4 LG - Flanges	8 NS
35	035-18588	System Conn - 1 1/2 NPTF	1 NS
36	035-41541	Plate-Name	1 NS
37	035-20643	Plate-Rotation	1 NS
38	320-10203	SCR - Drive - Type "U" #2 - 3/16 RD.HD. - Cad. plated	8 NS
39	035-40994	Suction Conn. - 2 1/2 NPTE	1 NS
48	671-00230	O-Ring - System Conn.	2 NS
49	449-00008	Plug w/Gasket - 1 1/2 Pipe THD	1 NS
50	449-00557	Plug w/Gasket - 2 1/2 Pipe THD	1 NS
51	035-13285	Bracket - High Mounting	1 NS
52	035-11988	Bracket - Low Mounting	1 NS
53	035-12037	Flange - Mounting	1 NS
54	358-24280	SCR-SHC - 5/8 - 11 UNC x 2 1/2 LG	4 NS
55	358-24300	(for Bracket MTG) SCR-SHC - 5/8 - 11 UNC x 2 3/4 LG (for Flange MTG)	4 NS
56	488-14164	Plug AN-814-D-16	1
57	671-00916	O-Ring	1

Item 15	8.3 cu. in. 5000 psi PF09-043	10.3 cu. in. 3500 psi PF09-053
Piston & Shoe Assy. w/retainer	S15-16251	S15-14770
Piston & Shoe only (7)	S15-16252	S15-14604
Shoe retainer only (1)	035-40966	035-40966

Item 11		
Right hand port plate	035-43219	035-43034
Left hand port plate	035-43590	035-43574
Bi-Directional port plate	035-43612	035-42142



Note - Items 22, retainer & 25, cam plate are shown in two planes

# "Hägglands Denison Worldwide"



## GENERAL SALES OFFICES

### CALIFORNIA

San Jose 95118 (408) 723-5486  
4340 Almaden Expressway  
Suite 140

Orange 92668 (714) 634-9565  
1940 W. Orangewood Ave.  
Suite 209

### DELAWARE

Newark 19711 (302) 731-0232  
2644 Capitol Trail  
Suite N

### GEORGIA

Peachtree City 30269 (404) 487-1399  
110 Lakeaires

Atlanta 30342 (404) 257-1504  
5775 Peachtree-Dunwoody Rd.  
Suite 460

### ILLINOIS

Arlington Heights 60005 (312) 640-6630  
717 W. Algonquin Rd.

### MASSACHUSETTS

Walpole 02081 (617) 668-9238  
1600 Boston Providence Highway  
Suite 211

### NEW JERSEY

Montvale 07645 (201) 391-8930  
50 Chestnut Ridge Rd.

### NORTH CAROLINA

Charlotte 28212 (704) 545-8390  
4400 Morris Park Dr.  
Suite M

### OHIO

Cincinnati 45241 (513) 779-4825  
9624 Cincinnati-Columbus Rd.  
Suite 303

Columbus 43216 (614) 481-7300  
1220 Dublin Road

### PENNSYLVANIA

Allentown 18104 (215) 395-4050  
1483 Cedarwood Road

### TEXAS

Richardson 75081 (214) 690-9600  
801 E. Campbell Rd.  
Suite 270

Houston 77070 (713) 894-8743  
12777 Jones Rd.  
Suite 175-11/12

### WASHINGTON

Seattle 98188 (206) 575-3070  
331 Andover Park West

### WISCONSIN

Waukesha 53186 (414) 547-9159  
West 255 N. 499 Grandview Blvd. N.

### CANADA

Hägglands Denison Canada Inc.  
Calgary, AB (403) 269-2969  
125 - 9th Avenue S.E., Suite 310,  
One Palliser Square  
T2G 0P6

Vancouver, BC (604) 734-2263  
2015 West 12th Avenue  
V6J 2G3

Mississauga, ON (416) 858-2250  
6675-1 Millcreek Dr. or  
L5N 5M4 (416) 738-0561

### CUSTOMER SERVICE

Delaware, OH 43015  
425 S. Sandusky St.  
Service (614) 481-4224  
Parts (614) 481-7300  
Emergency Service (614) 265-9333  
(after hours only)

Sales Representatives and Distributors Located in Major Industrial Areas — Look for "Hägglands Denison Hydraulic Equipment" in the Yellow Pages.

*INTERNATIONAL AFFILIATES LOCATED IN — Argentina, Australia, Austria, Belgium, Brazil, Canada, Chile, Colombia, Denmark, Eastern Europe, England, Finland, France, Germany, Greece, Holland, Hong Kong, Italy, Japan, Mexico, New Zealand, Norway, Peru, Singapore, South Africa, Spain, Sweden, Switzerland, Venezuela.*



MEMBER OF THE ASEA-GROUP

**HÄGGLUNDS DENISON CORPORATION**  
1220 Dublin Road, Columbus, Ohio U.S.A. 43216  
Call 1-800-982-0030 for the Distributor nearest you

PRINT DATE  
2/88

Printed in U.S.A.