

Service Data

Vickers®

# Piston Motors

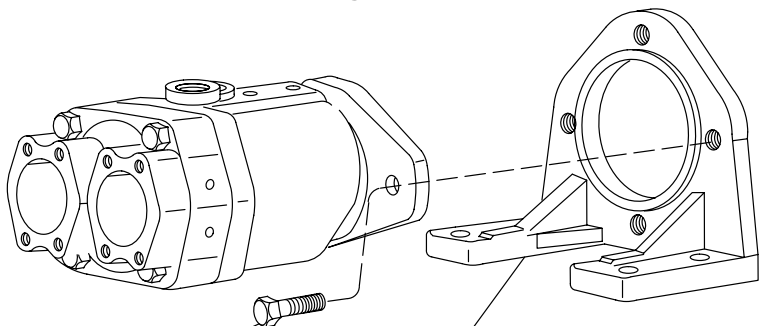
---



## Fixed Inline Piston Motor

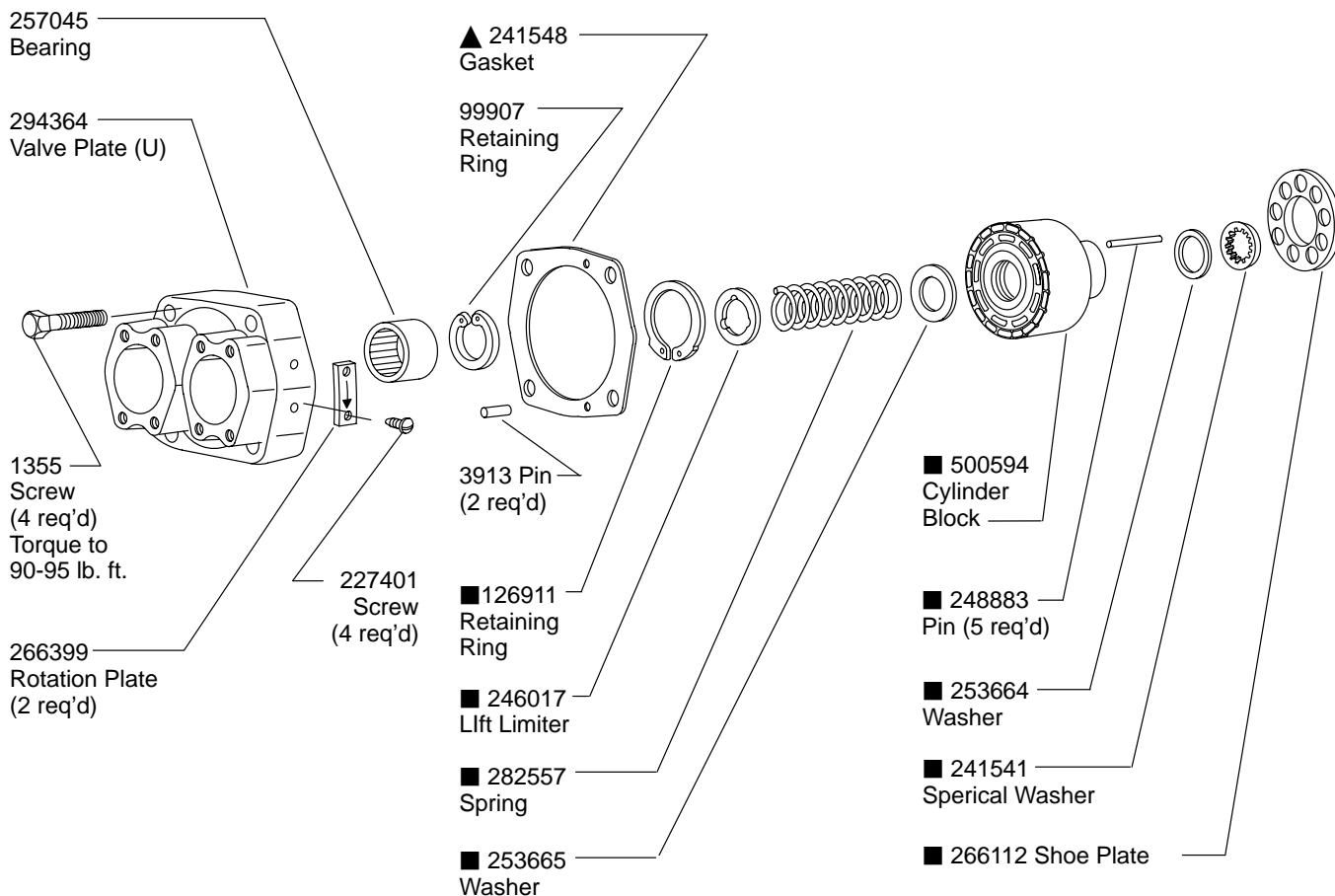
(M)-MFB45-U\*-10

### Foot Mounting Bracket



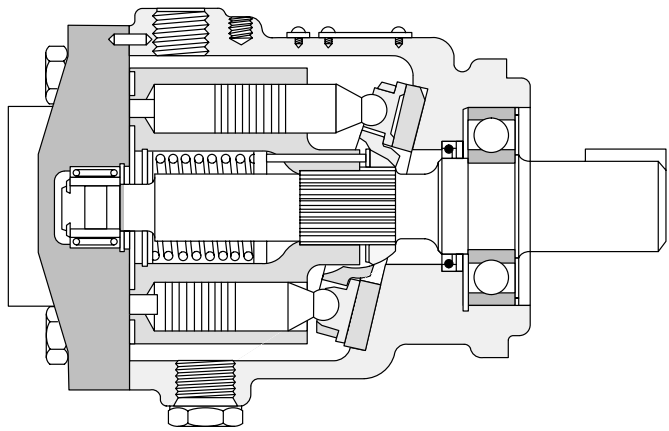
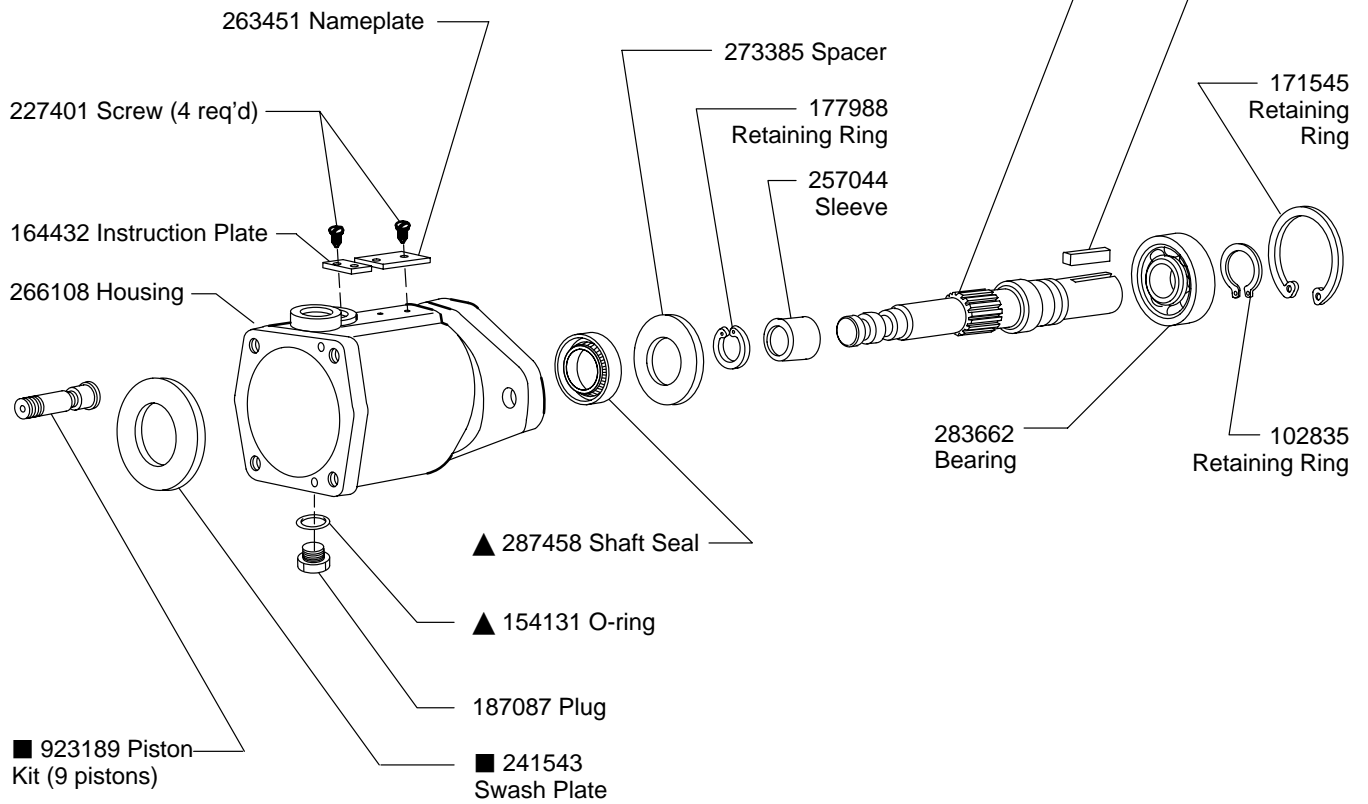
212464 Screw  
(2 req'd)

Mounting Kit FB-C-10  
(Includes Screws)



■ Included in Rotating Group Kit 923001

Model Designation	Shaft	Key
M-MFB45-*F-10	294360	247101
M-MFB45-*E-10	322355	_____

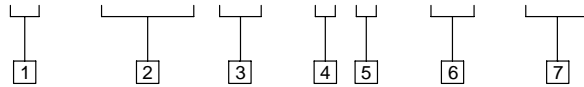


**Assembly View**

▲ Service all units with F3 Seal Kit 923000

# Model Code

**M - MFB 45 - U \* - 10 - \*\*\***



---

**1 Mobile Application**

**2 Model Series**

**MFB** - Motor, fixed displacement,  
inline piston type, B series

**3 Flow Rating**

@1800 RPM

**45** - 45 USgpm

**4 Shaft Rotation**

(Viewed from shaft end)

**U** - Either direction

**5 Optional Shafts and Porting**

**E** - Splined Shaft

SAE 4-bolt flange

**F** - Straight keyed shaft

SAE 4-bolt flange

**6 Design**

**7 Special Features**

For satisfactory service life of these components in industrial applications, use full flow filtration to provide fluid which meets ISO cleanliness code 20/18/15 or cleaner. Selections from Eaton OFP, OFR, and OFRS series are recommended.