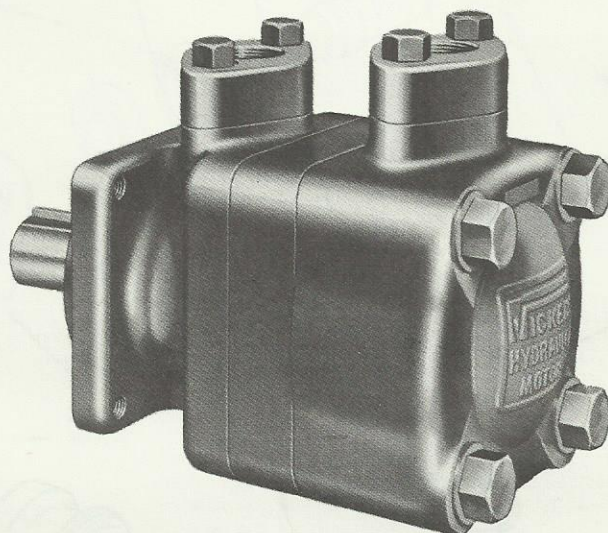


VICKERS
MOBILE HYDRAULICS DIVISION
**SERVICE
PARTS
CATALOG**

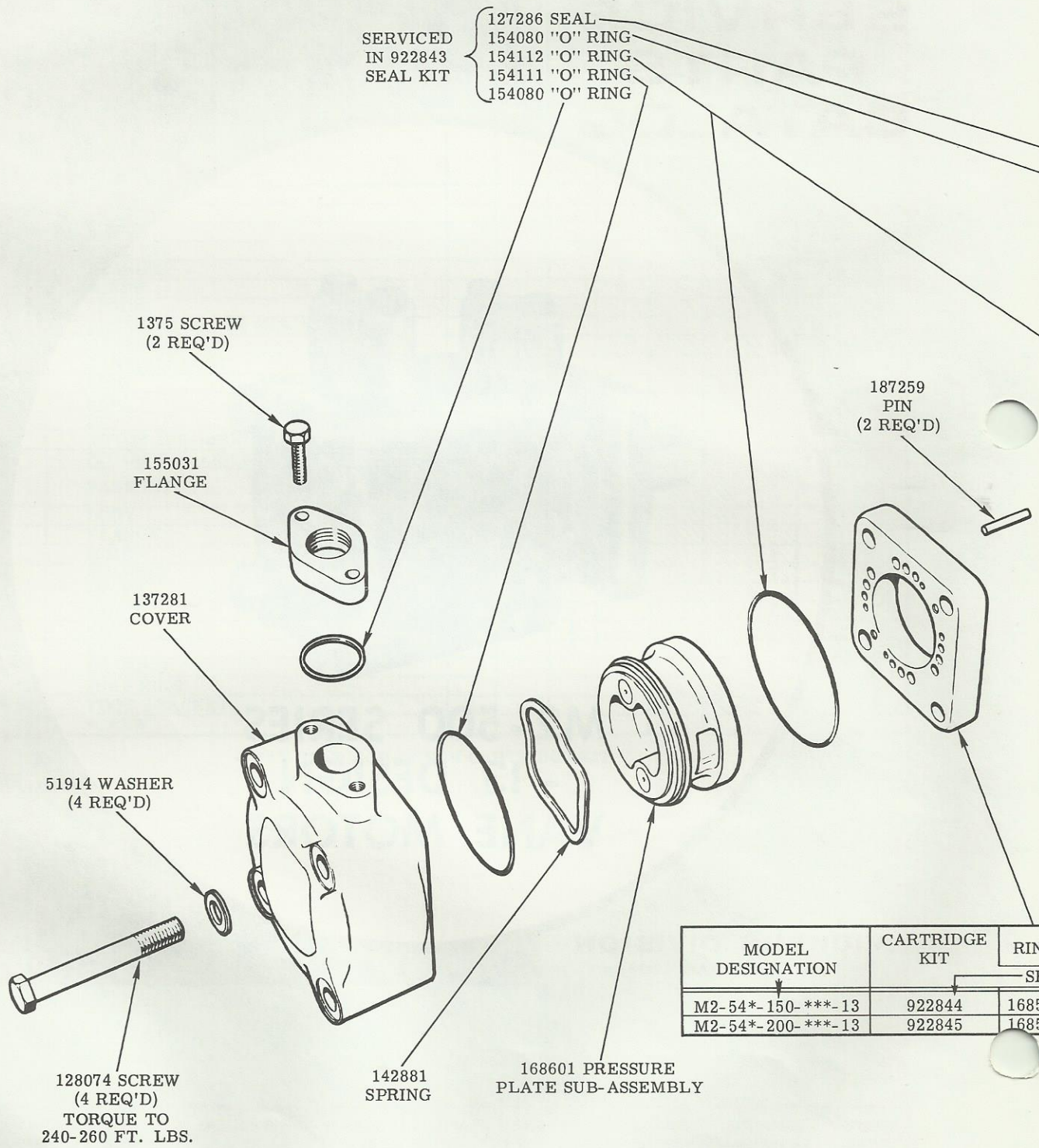
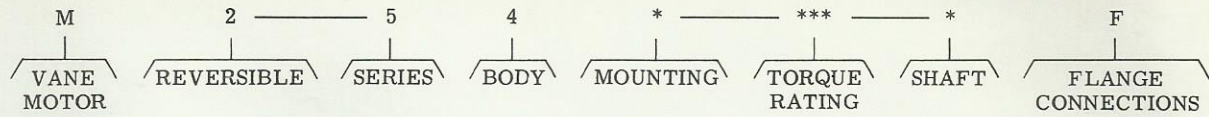
 **SPERRY RAND**



**M2-500 SERIES
- 13 DESIGN
VANE MOTORS**

VICKERS DIVISION
TROY, MICHIGAN 48084

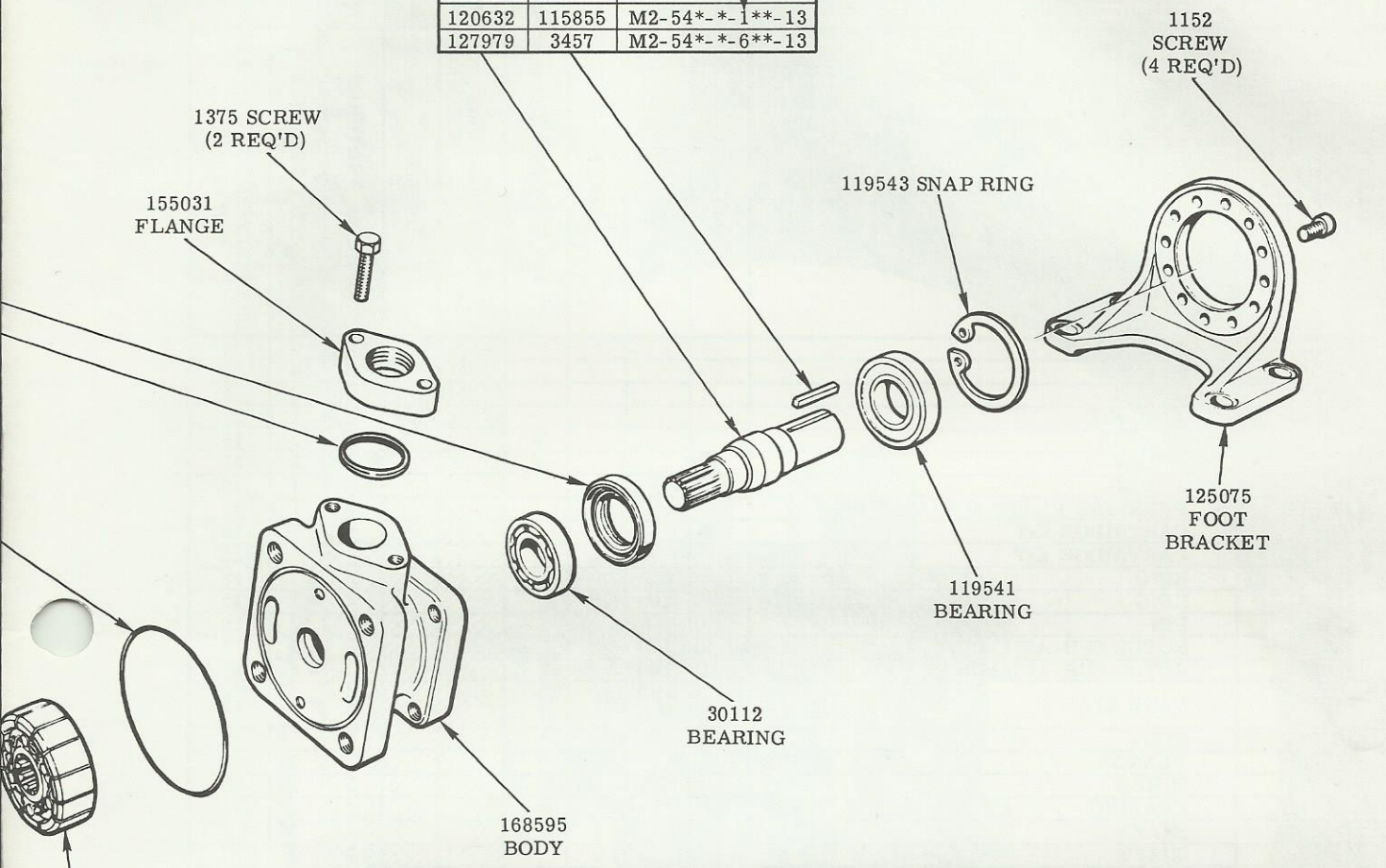
MODEL CODE



MODEL DESIGNATION	CARTRIDGE KIT	RING
		SER
M2-54*-150-***-13	922844	168596
M2-54*-200-***-13	922845	168597

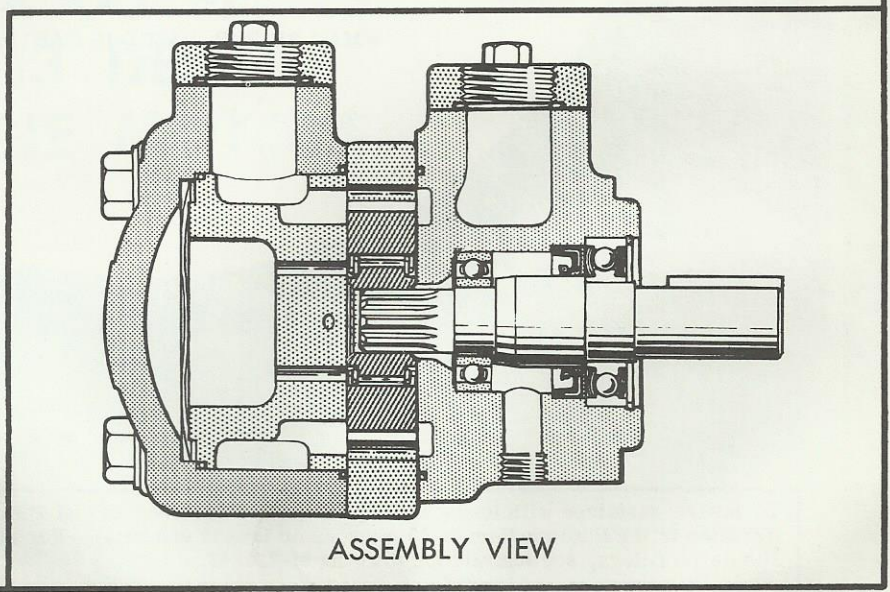
PORT POSITIONS DESIGN SPECIAL FEATURES

SHAFT	KEY	MODEL DESIGNATION
120632	115855	M2-54*-*-1**-13
127979	3457	M2-54*-*-6**-13



ROTOR SUB-ASSEMBLY	VANE KIT
168598	912109
168599	

PROVIDED IN CARTRIDGE KIT



SPARE PARTS STOCK RECOMMENDATIONS (FOR EACH 100 UNITS IN OPERATION)

M2-54 * — *** — * * * — 13 — ***

PART NUMBER	NAME	MOUNTING	TORQUE RATING	SHAFT	FLANGE CONNECTIONS	PORT POSITIONS	DESIGN	SPECIAL FEATURES	QUANTITY PER UNIT	QUANTITY RECOMMENDED FOR STOCK
128074	SCREW								4	25
51914	WASHER								4	25
137281	COVER								1	5
922843	SEAL KIT								1	25
155031	FLANGE				F				2	10
1375	SCREW				F				2	25
142881	SPRING								1	10
168601	PRESSURE PLATE SUB-ASSEMBLY								1	10
922844	CARTRIDGE KIT		150						1	15
922845	CARTRIDGE KIT		200						1	15
168596	RING		150						● 1	15
168597	RING		200						● 1	15
187259	PIN								● 1	15
168598	ROTOR SUB-ASSEMBLY		150						● 1	15
168599	ROTOR SUB-ASSEMBLY		200						● 1	15
912109	VANE KIT		150						● 1	15
			200						● 1	15
168595	BODY								1	5
155031	FLANGE								2	10
1375	SCREW								2	25
30112	BEARING								1	10
120632	SHAFT			1					1	7
127979	SHAFT			6					1	7
115855	KEY			1					1	10
3457	KEY			6					1	10
119541	BEARING								1	10
119543	SNAP RING								1	10
125075	FOOT BRACKET	4							1	10
1152	SCREW								1	2
									4	25

● MAY BE PURCHASED IN CARTRIDGE KIT

To insure sustained efficiency and maximum trouble-free life of this precision equipment, initial and continuous filtration of the fluid medium to 25 microns or less is essential. For information pertaining to Vickers economical 10 micron filters, see installation drawing M-229847.