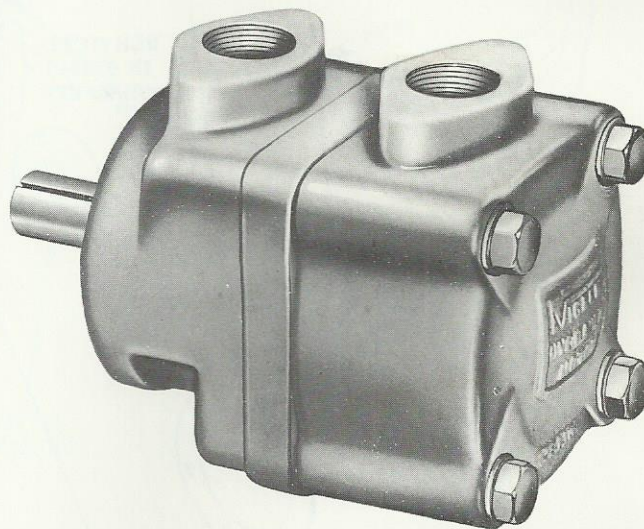


MOBILE SERVICE PARTS CATALOG

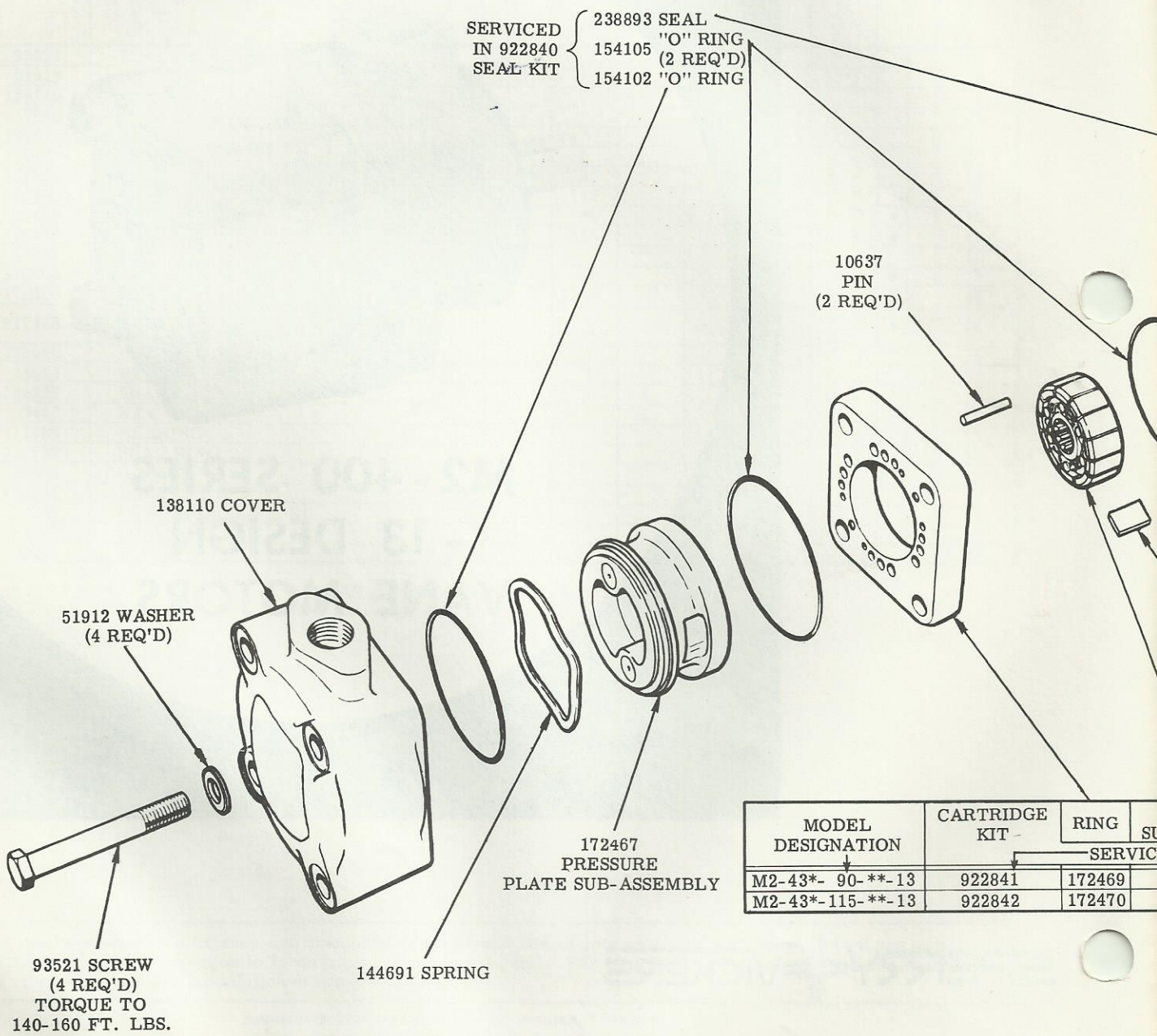


**M2-400 SERIES
- 13 DESIGN
VANE MOTORS**

SPERRY  **VICKERS**

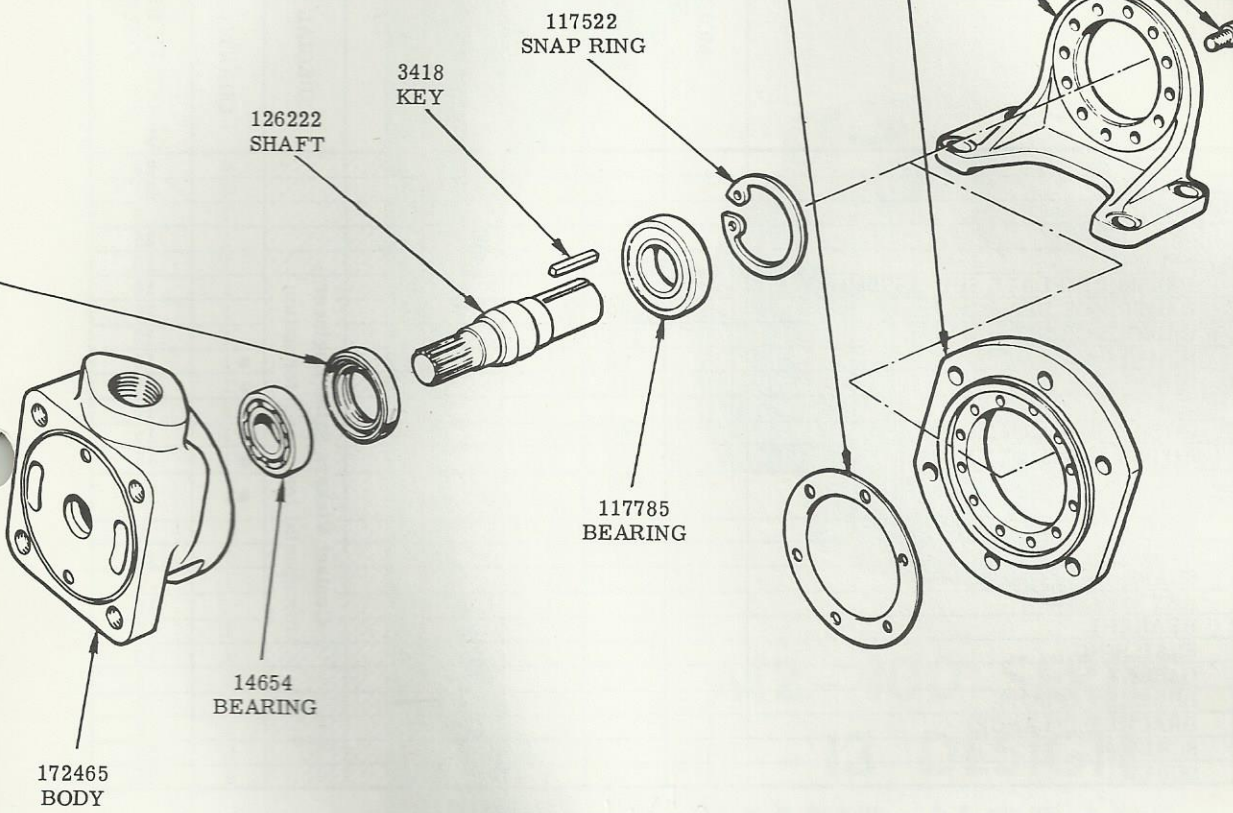
MODEL CODE

M 2 4 3 * ** * * 13
 VANE REVERSIBLE SERIES BODY MOUNTING TORQUE SHAFT PORT DESIGN
 MOTOR RATING POSITIONS

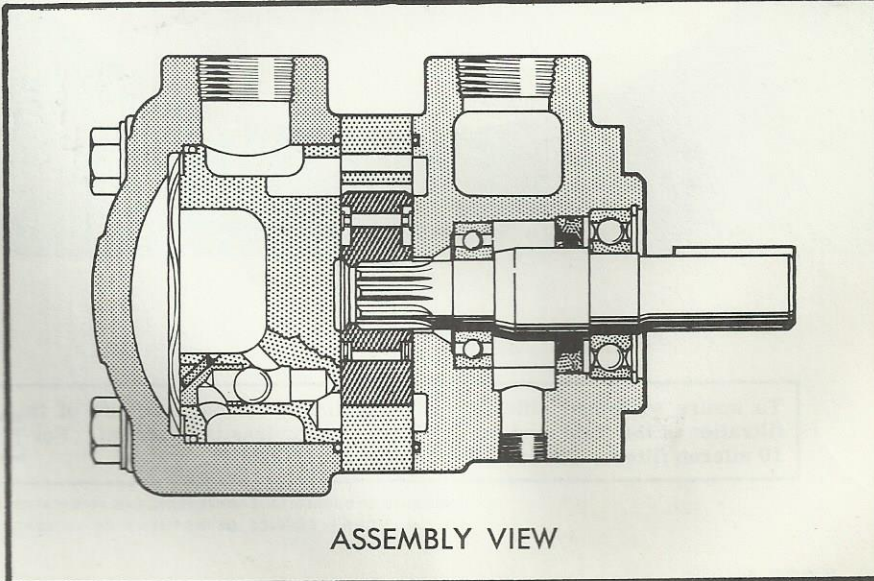


SPECIAL FEATURES

MODEL DESIGNATION	GASKET	BRACKET	SCREW (6 REQ'D)
M2-430-*-*-13	————	————	————
M2-434-*-*-13	————	122896 (FOOT)	1072
M2-435-*-*-13	134305	128747 (FLANGE)	1274



ROTOR ASSEMBLY	VANE KIT
170404	912105
170403	



SPARE PARTS STOCK RECOMMENDATIONS (FOR EACH 100 UNITS IN OPERATION)

M2-43 * — ** — * * — 13 — ***

PART NUMBER	NAME						QUANTITY PER UNIT	QUANTITY RECOMMENDED FOR STOCK
		MOUNTING	TORQUE RATING	SHAFT	PORT POSITIONS	DESIGN		
93521	SCREW						4	25
51912	WASHER						4	25
138110	COVER						1	5
922840	SEAL KIT						1	25
144691	SPRING						1	10
172467	PRESSURE PLATE SUB-ASSEMBLY						1	10
922841	CARTRIDGE KIT		90				1	15
922842	CARTRIDGE KIT		115				1	15
172469	RING		90				● 1	15
172470	RING		115				● 1	15
10637	PIN						2	10
170404	ROTOR SUB-ASSEMBLY		90				● 1	15
170403	ROTOR SUB-ASSEMBLY		115				● 1	15
912105	VANE KIT		90 115				● 1	15
172465	BODY						1	5
14654	BEARING						1	10
126222	SHAFT			1			1	7
3418	KEY			1			1	10
117785	BEARING						1	10
117522	SNAP RING						1	10
134305	GASKET	5					1	5
122896	BRACKET (FOOT)	4					1	2
128747	BRACKET (FLANGE)	5					1	2
1072	SCREW	4					6	25
1274	SCREW	5					6	25

● MAY BE PURCHASED IN CARTRIDGE KIT

To insure sustained efficiency and maximum trouble-free life of this precision equipment, initial and continuous filtration of the fluid medium to 25 microns or less is essential. For information pertaining to Vickers economical 10 micron filters, see installation drawing M-229847.

COMMENTS OR SUGGESTIONS CONCERNING THIS PUBLICATION MAY BE DIRECTED TO THE MOBILE SERVICE DEPARTMENT OF VICKERS INCORPORATED.