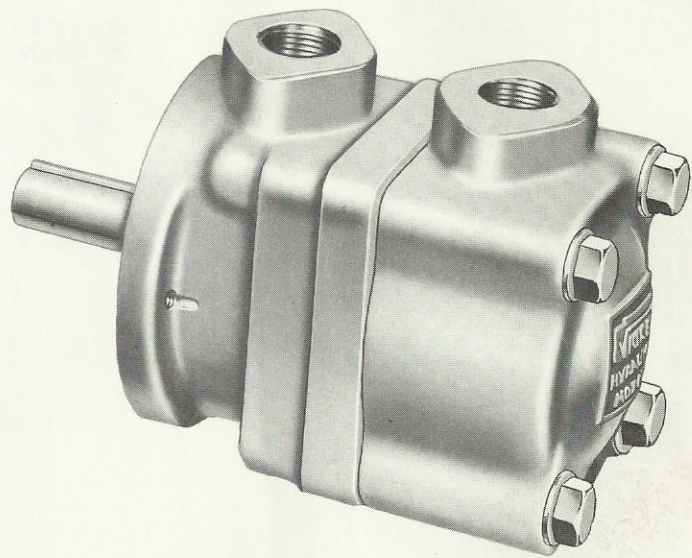


# MOBILE SERVICE PARTS CATALOG



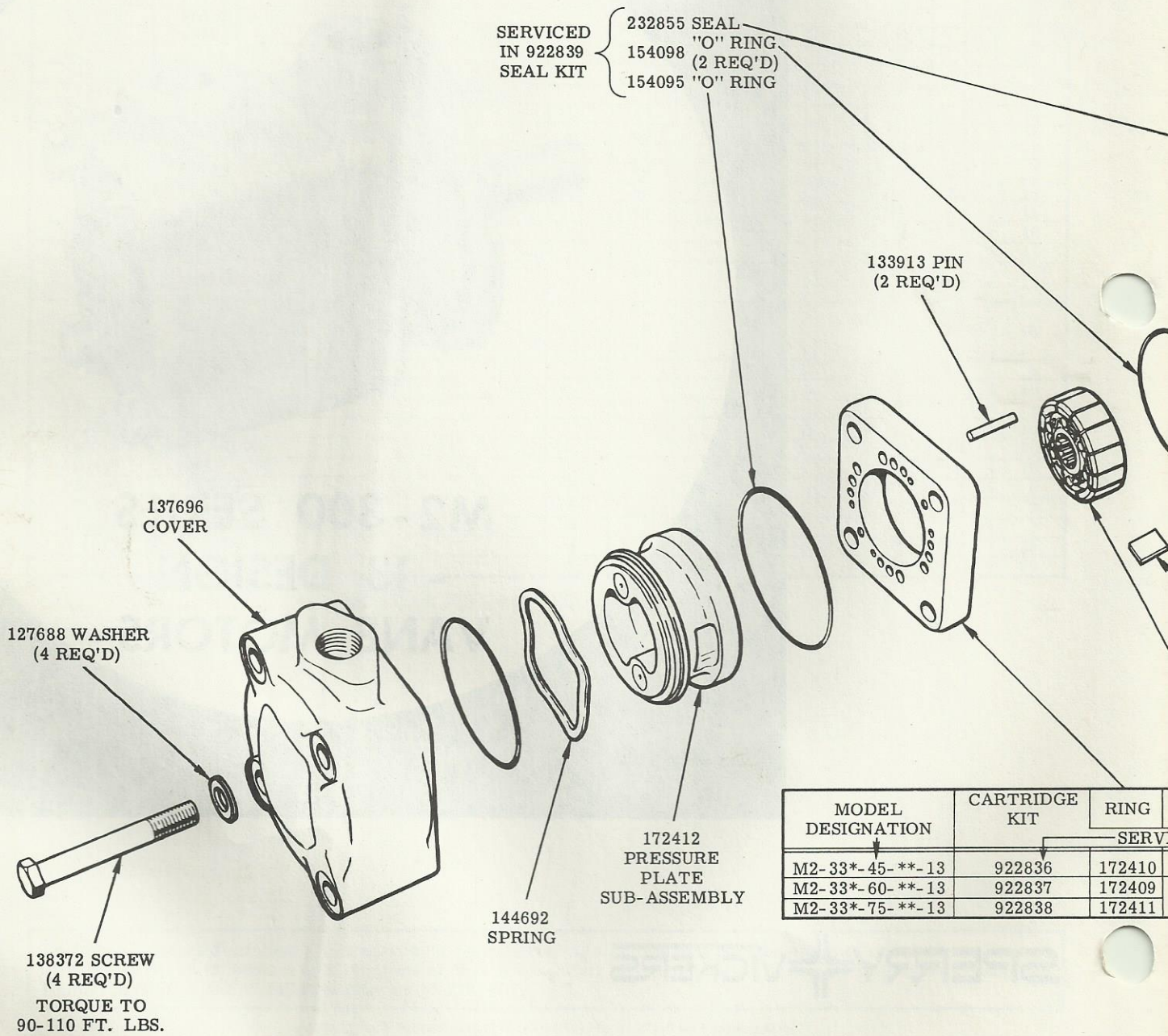
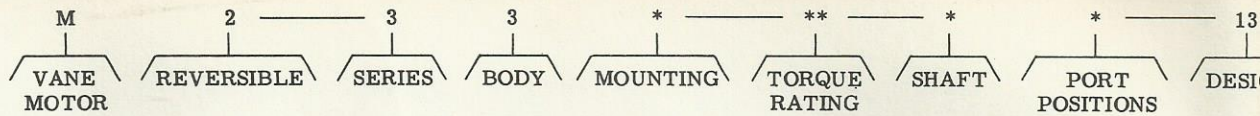
**M2-300 SERIES  
- 13 DESIGN  
VANE MOTORS**

**SPERRY**  **VICKERS**

File in Section 3

M-2703-S  
Revised 9-15-65

MODEL CODE

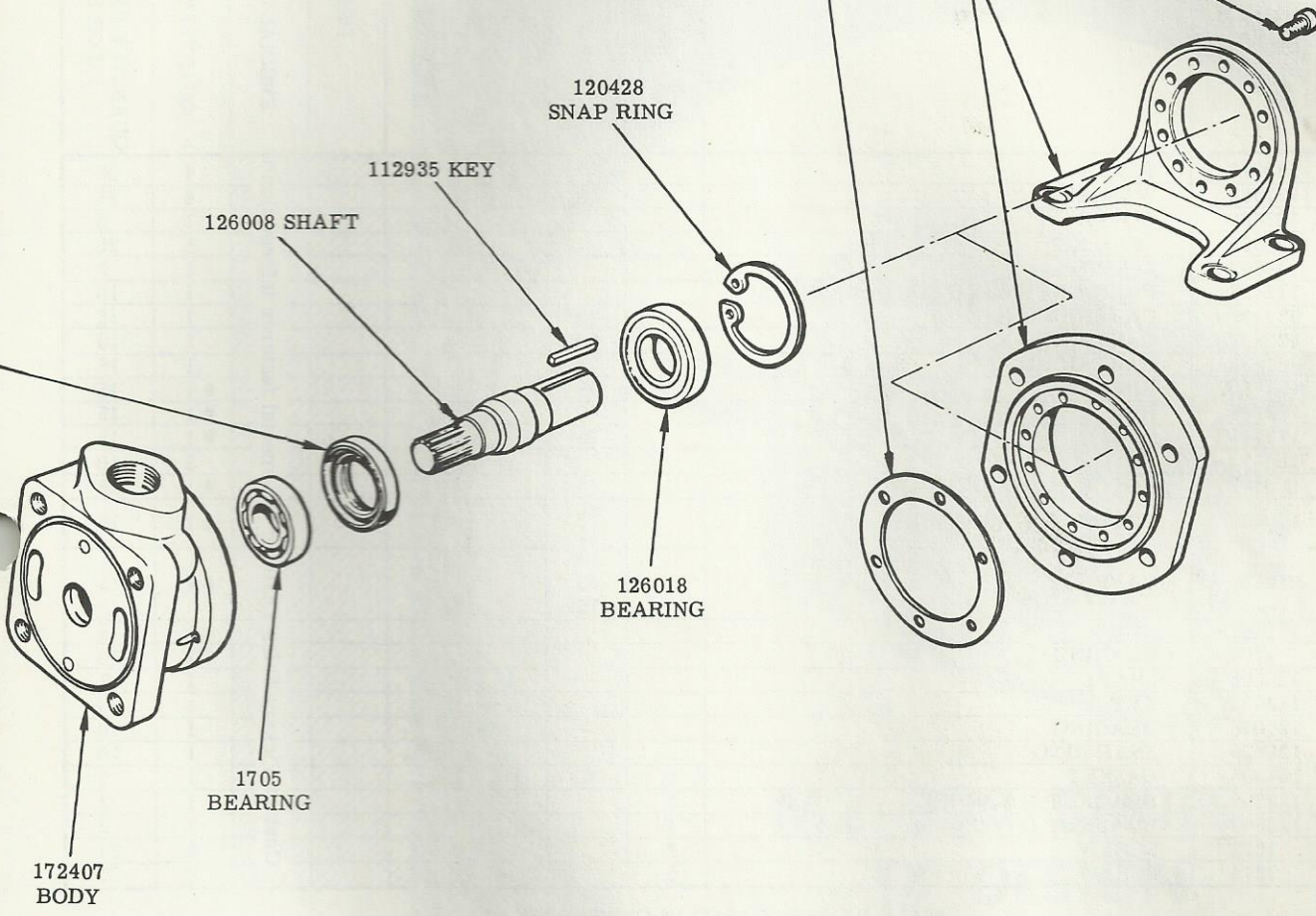


MODEL DESIGNATION	CARTRIDGE KIT	RING
		SERV
M2-33*-45-**-13	922836	172410
M2-33*-60-**-13	922837	172409
M2-33*-75-**-13	922838	172411

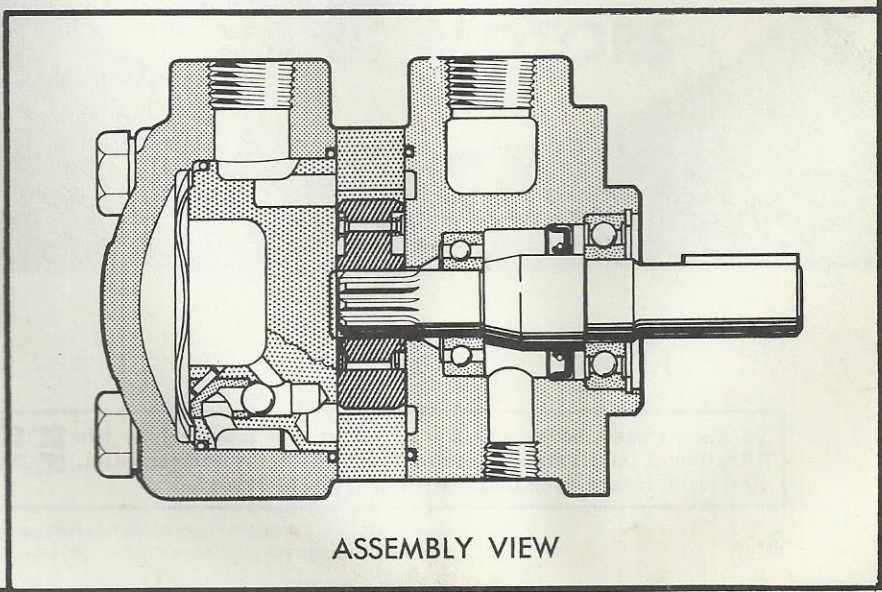
\*\*\*

SPECIAL FEATURES

MODEL DESIGNATION	GASKET	BRACKET	SCREW (6 REQ'D)
M2-330-*.**-13	_____	_____	_____
M2-334-*.**-13	_____	128649 (FOOT)	1072
M2-335-*.**-13	134305	128395 (FLANGE)	1274



ROTOR SUB-ASSEMBLY	VANE KIT
170402	912108
170405	



# SPARE PARTS STOCK RECOMMENDATIONS (FOR EACH 100 UNITS IN OPERATION)

M2-33 \* — \*\* — \* \* — 13 — \*\*\*  
 ↓ ↓ ↓ ↓ ↓ ↓ ↓

PART NUMBER	NAME	MOUNTING	TORQUE RATING	SHAFT	PORT POSITIONS	DESIGN	SPECIAL FEATURES	QUANTITY PER UNIT	QUANTITY RECOMMENDED FOR STOCK
138372	SCREW							4	25
127688	WASHER							4	25
137696	COVER							1	5
922839	SEAL KIT							1	25
144692	SPRING							1	5
172412	PRESSURE PLATE SUB-ASSEMBLY							1	10
922836	CARTRIDGE KIT		45					1	15
922837	CARTRIDGE KIT		60					1	15
922838	CARTRIDGE KIT		75					1	15
172410	RING		45					● 1	15
172409	RING		60					● 1	15
172411	RING		75					● 1	15
133913	PIN							2	10
170402	ROTOR SUB-ASSEMBLY		45					● 1	15
170405	ROTOR SUB-ASSEMBLY		60					● 1	15
			75						
912108	VANE KIT		45					● 1	15
			60						
			75						
172407	BODY							1	5
1705	BEARING							1	10
126008	SHAFT			1				1	7
112935	KEY			1				1	10
126018	BEARING							1	10
120428	SNAP RING							1	10
134305	GASKET	5						1	5
128395	BRACKET (FLANGE)	5						1	2
128649	BRACKET (FOOT)	4						1	2
1072	SCREW	4						6	25
1274	SCREW	5						6	25

Contact Vickers Sales Engineer for special features information

● MAY BE PURCHASED IN CARTRIDGE KIT

To insure sustained efficiency and maximum trouble-free life of this precision equipment, initial and continuous filtration of the fluid medium to 25 microns or less is essential. For information pertaining to Vickers economical 10 micron filters, see installation drawing M-229847.