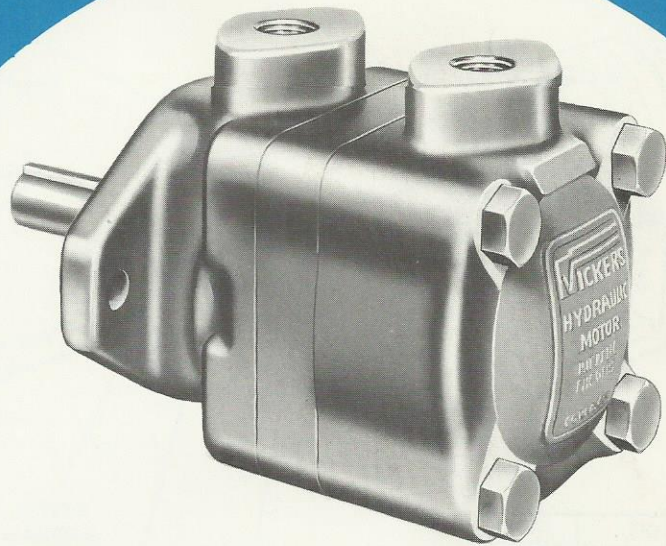


MOBILE SERVICE PARTS CATALOG



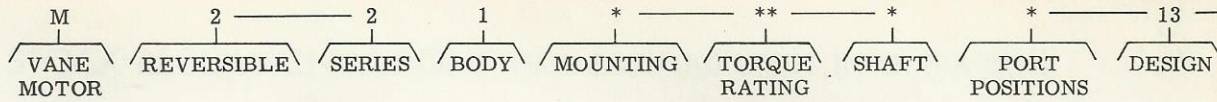
**M2-200 SERIES
- 13 DESIGN
VANE MOTORS**

SPERRY  **VICKERS**

File in Section 3

M-2701-S
Revised 9-15-65

MODEL CODE

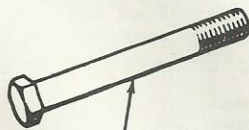


SEAL KIT	"O" RING SERVICED	"O" RING (2 REQ'D) IN SEAL KIT	SE
922832	154087	154090	229
922833			229
922832			229

MODEL DESIGNATION	COVER
M2-210	153998
M2-220	317277

141792
SPRING

168450 PRESSURE
PLATE SUB-ASSEMBLY



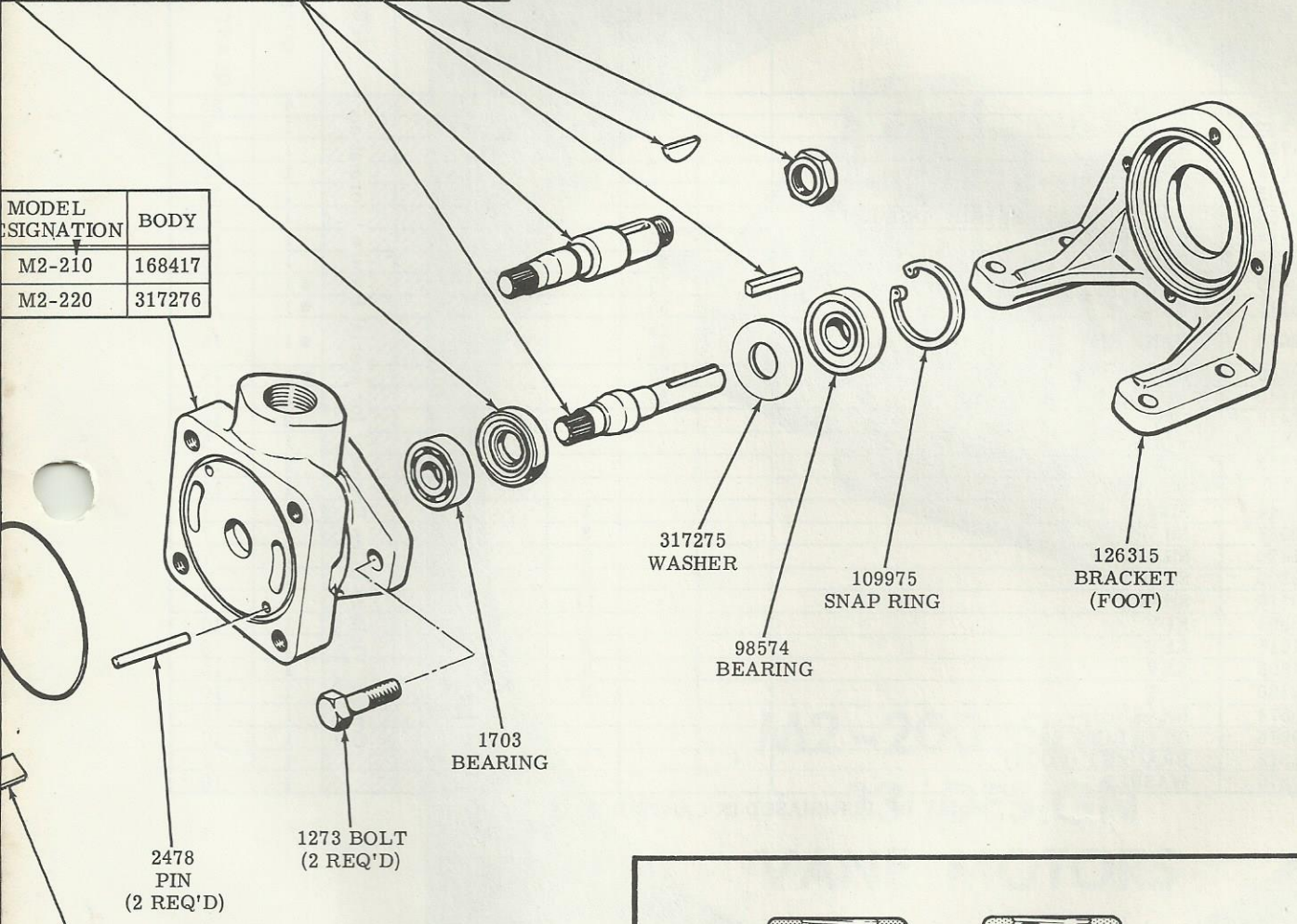
11165 SCREW
(4 REQ'D)
TORQUE TO
65-75 FT. LBS.

MODEL DESIGNATION	CARTRIDGE KIT	RING	ROT SUB-ASS SERVICED IN
M2-2**-25-**-13	922834	168419	1684
M2-2**-35-**-13	922835	168418	1684

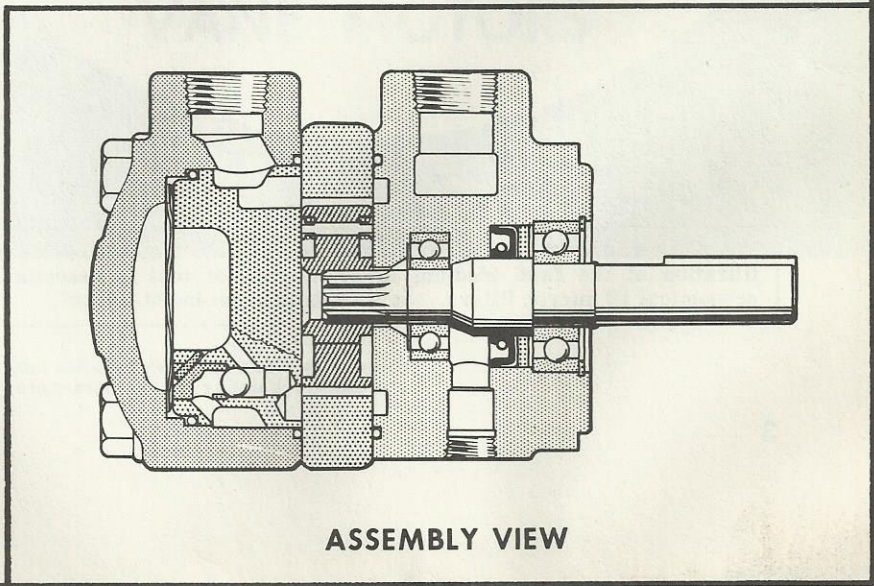
SPECIAL
FEATURES

MODEL DESIGNATION	SHAFT	KEY	NUT
M2-2**-**- 1*-13	116644	5881	—
M2-2**-**- 3*-13	120037	1615	132260
M2-2**-**- 6*-13	131420	1609	—
M2-2**-**- 9*-13	128300	—	—
M2-2**-**-11*-13	133178	—	—

MODEL DESIGNATION	BODY
M2-210	168417
M2-220	317276



DR	VANE
EMBLY	KIT
CARTRIDGE KIT	
39	912073
40	



SPARE PARTS STOCK RECOMMENDATIONS (FOR EACH 100 UNITS IN OPERATION)

M2-2* * — ** — * * — 13 — ***

PART NUMBER	NAME	MOUNTING	TORQUE RATING	SHAFT	PORT POSITIONS	DESIGN	SPECIAL FEATURES	QUANTITY PER UNIT	QUANTITY RECOMMENDED FOR STOCK
11165	SCREW							4	25
See Page 1	COVER							1	5
141792	SPRING							1	10
922832	SEAL KIT							1	25
922833	SEAL KIT							1	25
168450	PRESSURE PLATE SUB-ASSEMBLY							1	10
922834	CARTRIDGE KIT		25					1	15
922835	CARTRIDGE KIT		35					1	15
168419	RING		25					● 1	15
168418	RING		35					● 1	15
912073	VANE KIT		25					● 1	15
			35						
168439	ROTOR SUB-ASSEMBLY		25					● 1	15
168440	ROTOR SUB-ASSEMBLY		35					● 1	15
2478	PIN							2	10
See Page 2	BODY							1	5
1273	BOLT							2	15
1703	BEARING							1	10
116644	SHAFT			1				1	7
120037	SHAFT			3				1	7
131420	SHAFT			6				1	7
128300	SHAFT			9				1	7
133178	SHAFT			11				1	7
5881	KEY			1				1	10
1615	KEY			3				1	10
1609	KEY			6				1	10
132260	NUT			3				1	10
98574	BEARING							1	10
109975	SNAP RING							1	10
126315	BRACKET (FOOT)	4						1	2
317275	WASHER							1	10

● MAY BE PURCHASED IN CARTRIDGE KIT

To insure sustained efficiency and maximum trouble-free life of this precision equipment, initial and continuous filtration of the fluid medium to 25 microns or less is essential. For information pertaining to Vickers economical 10 micron filters, see installation drawing M-229847.

COMMENTS OR SUGGESTIONS CONCERNING THIS PUBLICATION MAY BE DIRECTED TO THE MOBILE SERVICE DEPARTMENT OF VICKERS