

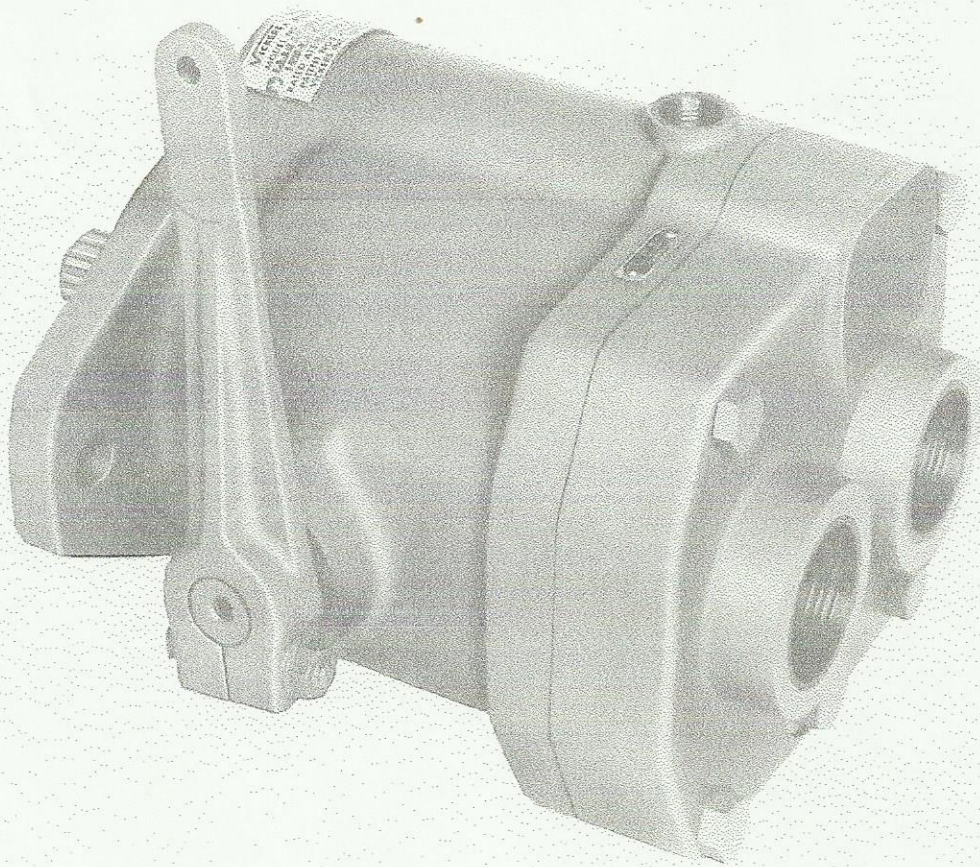


A TRIMOVA COMPANY

# Service Parts Information

Variable  
Inline  
Piston  
Pumps

M-PVB10-UDW-21-M-10  
M-PVB10-USY-21-M-10  
M-PVB15-UDG-21-M-10

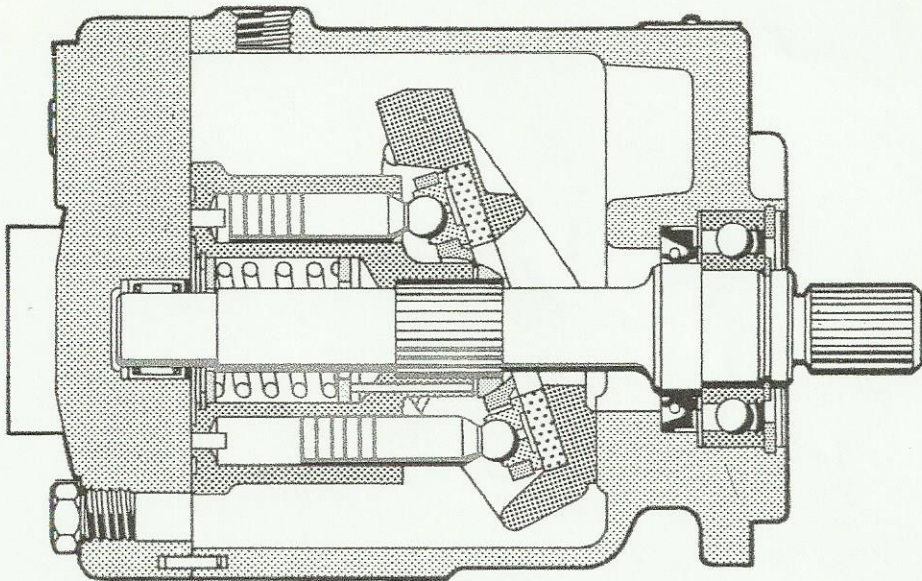


Vickers, Incorporated

1401 Crooks Road  
Troy, Michigan 48084

Revised 11-1-85

M-2216-S



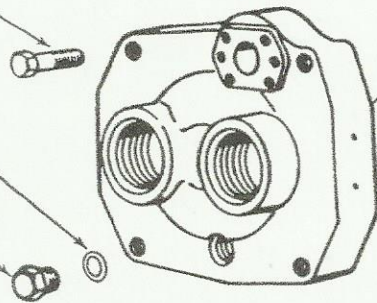
● INCLUDED IN VALVE  
PLATE SUBASSEMBLY

● VALVE PLATE	VALVE PLATE SUBASSEMBLY	MOD
298470	—	M-PVB10-UD
269845	938384	M-PVB10-US
294891	—	M-PVB15-UD

1276 SCREW (4 REQ'D)  
(TORQUE TO 25-35 lb. ft.)

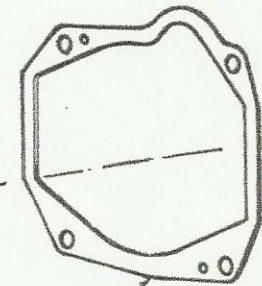
"O" RING (SEE TABLE)

PLUG (SEE TABLE)



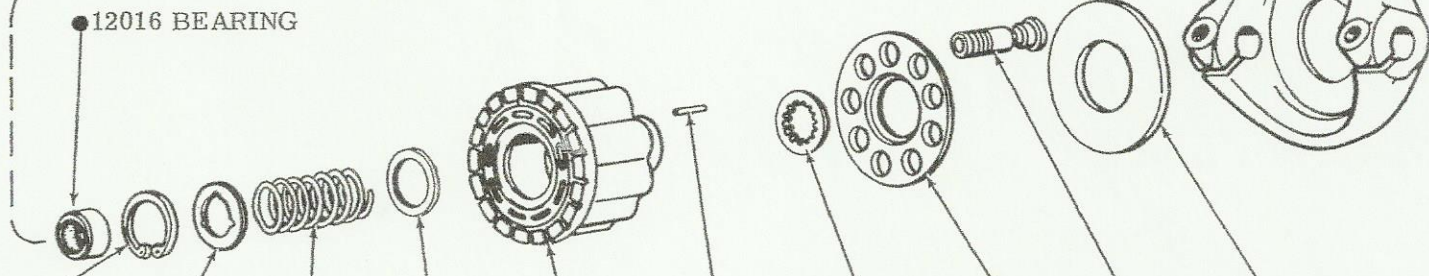
▲ 317162 GASKET

YOKE (SEE TABLE)



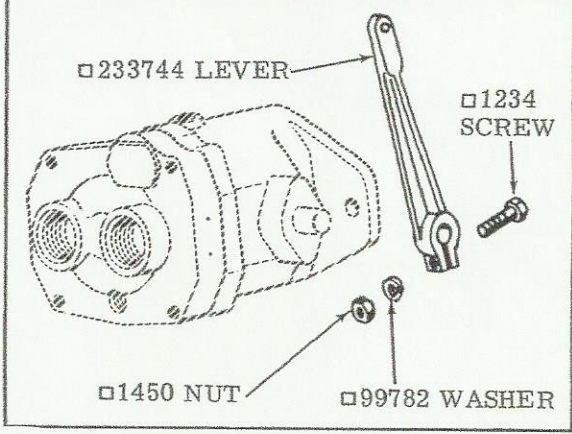
1254 SCREW (2 REQ'D)  
TORQUE TO 20-25 lb. ft.

● 12016 BEARING

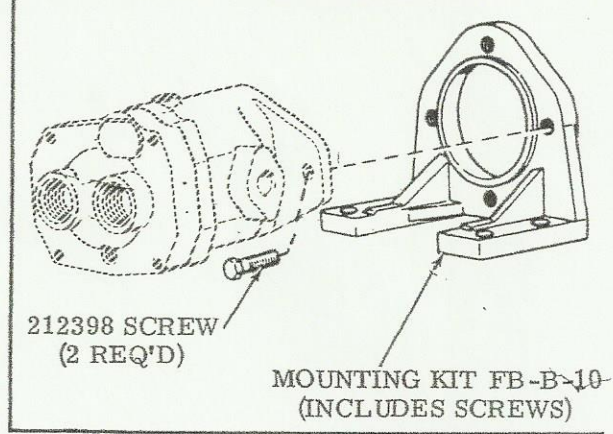


RETAINING RING	LIFT LIMITER	SPRING	THRUST WASHER	CYLINDER BLOCK	PINS (3 REQ'D)	SPHERICAL WASHER	SHOE PLATE	PISTON KIT (9 PISTONS)	SWASH PLATE	ROTATING GROUP KIT
THESE PARTS ARE INCLUDED IN ROTATING GROUP KIT										
93509	245223	247294	241954	321703 260860	248811	423324	275961	942047 941887	239077	938272 938270

□ INCLUDED IN 941360 LEVER KIT



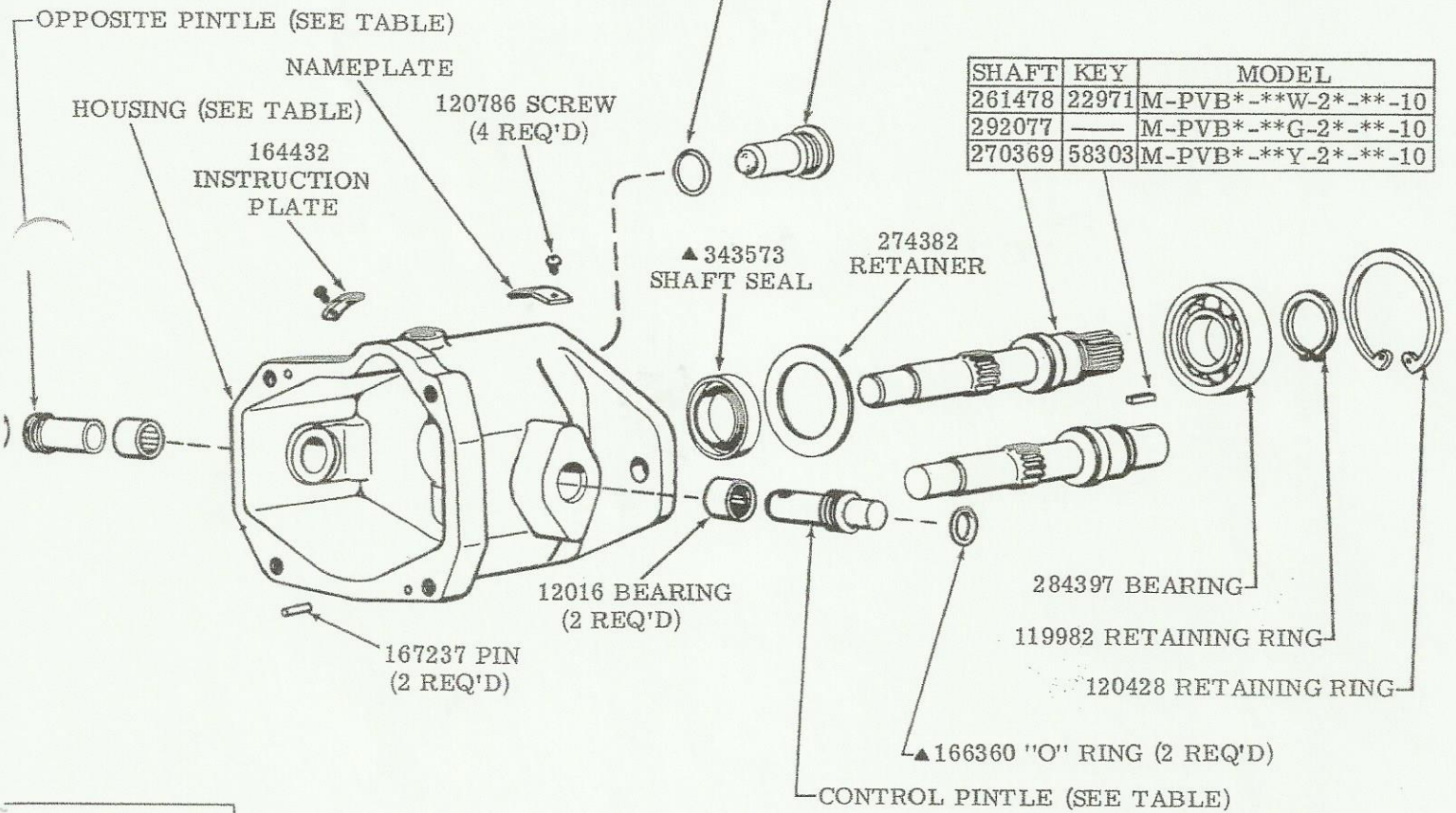
FOOT MOUNTING BRACKET



▲ INCLUDED IN 919192 SEAL KIT

-M-10  
-M-10  
-M-10

78 SCREW (2 REQ'D)  
246462 COVER



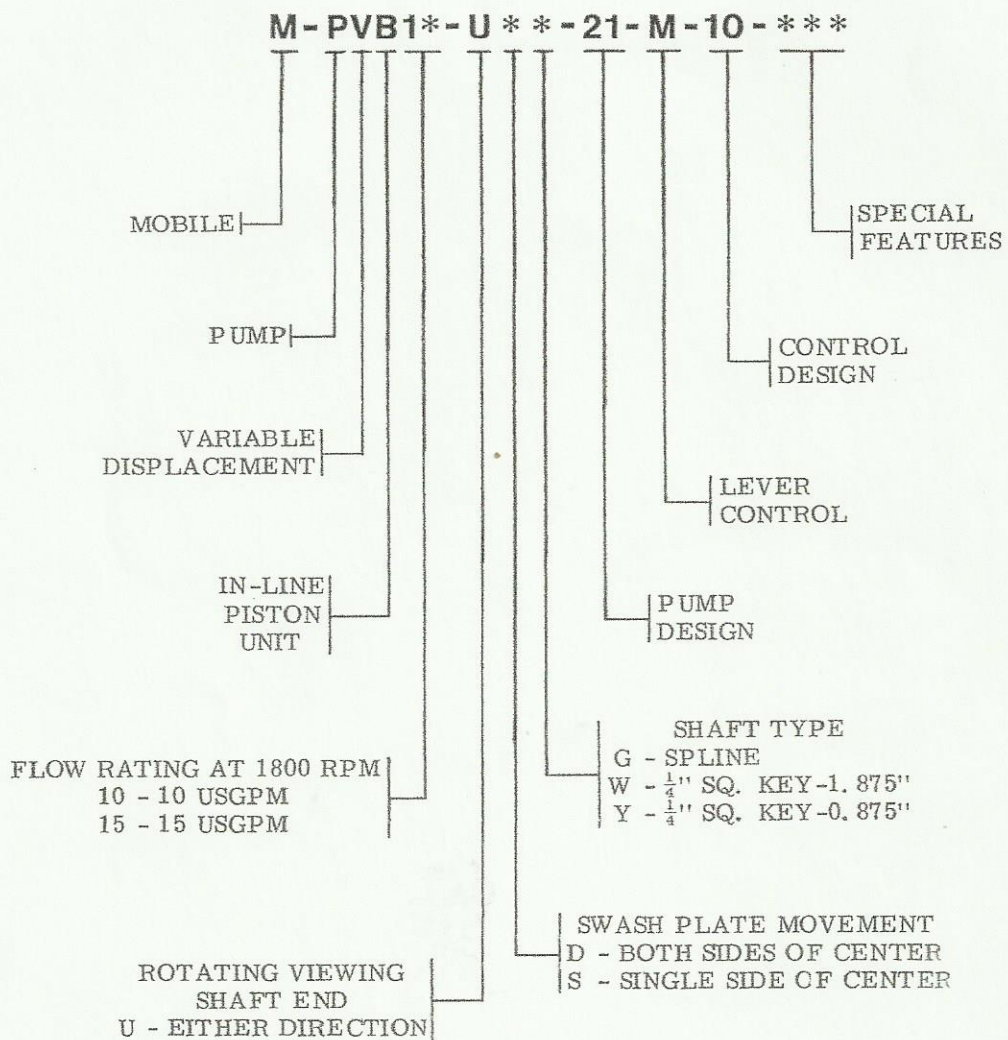
SHAFT	KEY	MODEL
261478	22971	M-PVB*-***W-2*-*-10
292077	—	M-PVB*-***G-2*-*-10
270369	58303	M-PVB*-***Y-2*-*-10

MODEL
B10-***-21-*-10
B15-***-21-*-10

MODEL	CONTROL TYPE	OPPOSITE PINTLE	CONTROL PINTLE
M-PVB*-***-21-M-10	LEVER	265425	269658

PLUG	"O"RING	MODEL	PLUG & BALLS/A	"O" RING	YOKE	HOUSING
186580	154129	M-PVB*-UDW-21-M-10	—	—	269842	274386
181728	154128	M-PVB*-USY-21-M-10	287838	▲ 154131	287848	287847
		M-PVB*-UDS-21-M-10	—	—	269842	274386

# MODEL CODE BREAKDOWN



For satisfactory service life of these components, use full flow filtration to provide fluid which meets ISO cleanliness code 16/13 or cleaner. Selections from Vickers OFF, OFR, and OFRS series are recommended.