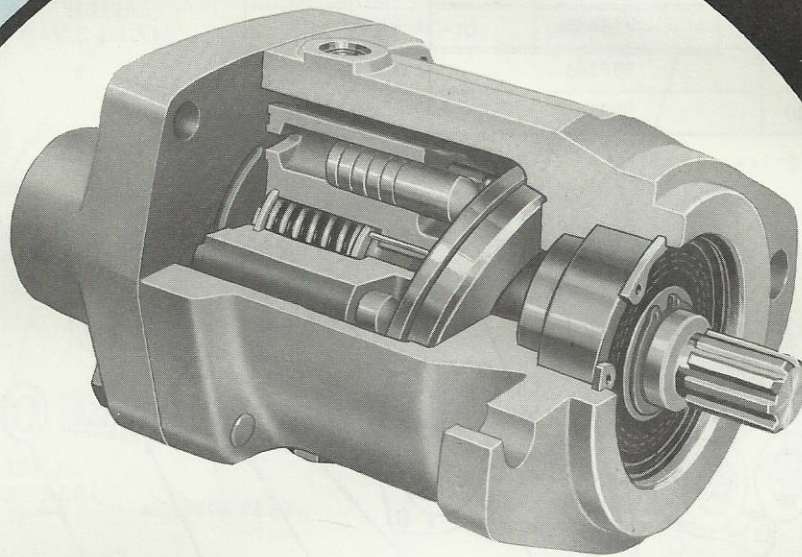


**VICKERS**  
MOBILE HYDRAULICS DIVISION  
**SERVICE  
PARTS  
CATALOG**

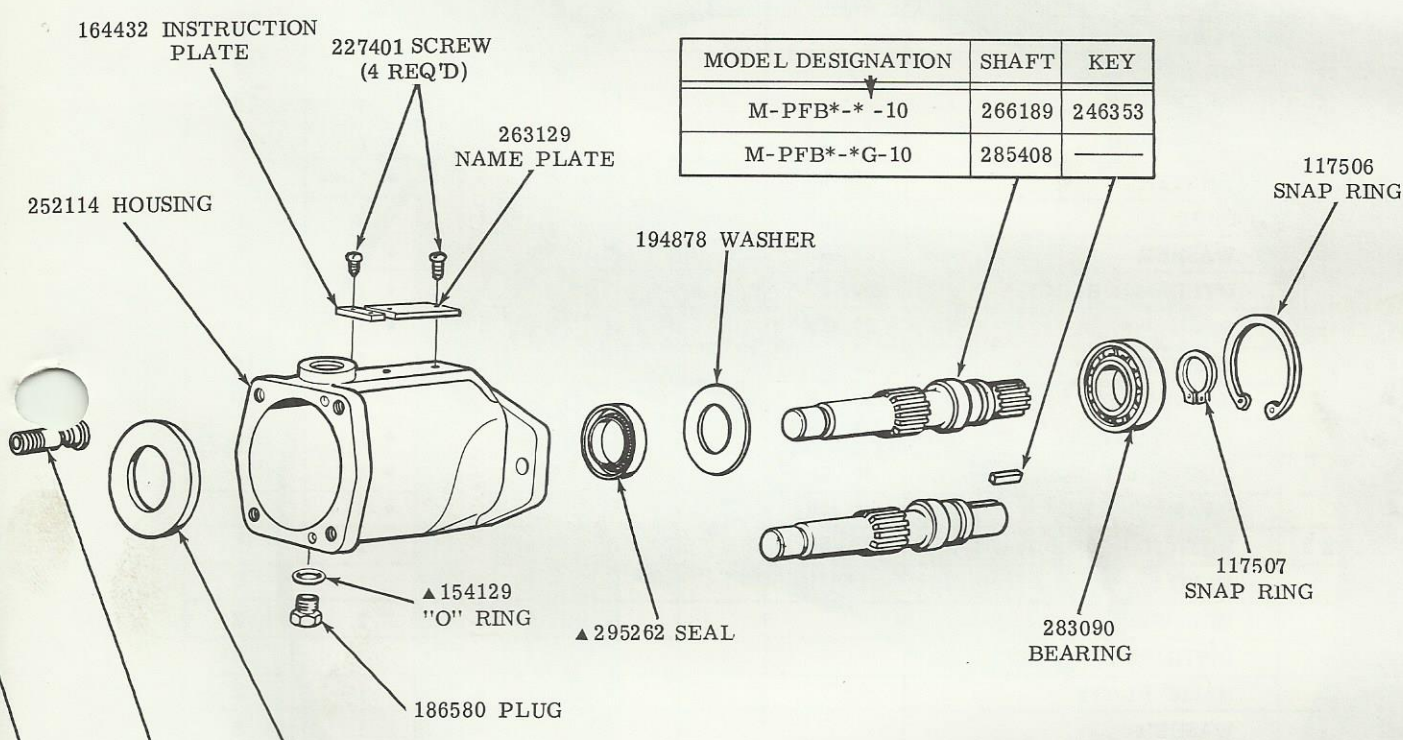
 **SPERRY RAND**



**M-PFB20 AND M-PFB29  
-10 DESIGN FIXED IN-LINE  
PISTON PUMPS**

**VICKERS DIVISION**  
TROY, MICHIGAN 48084

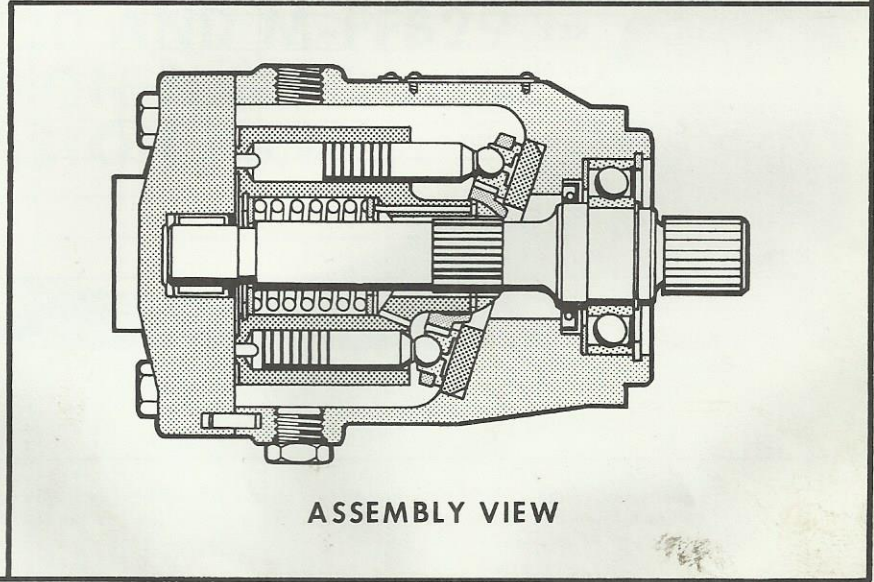




| MODEL DESIGNATION | SHAFT  | KEY    |
|-------------------|--------|--------|
| M-PFB*-* -10      | 266189 | 246353 |
| M-PFB*-*G-10      | 285408 | —      |

| SHOE PLATE | PISTON KIT (9 PISTONS) | SWASH PLATE | ROTATING GROUP KIT |
|------------|------------------------|-------------|--------------------|
| GROUP KIT  |                        |             |                    |
| 248609     | 941883                 | 239335      | 938280             |
|            | 941888                 |             | 938290             |

▲ = SERVICED IN SEAL KIT 919242



# SPARE PARTS STOCK RECOMMENDATIONS (FOR EACH 100 UNITS IN OPERATION)

M-PFB

\* — \* \* — 10 — \*

| PART NUMBER | NAME                   | G. P. M. RATING | ROTATION | SHAFT TYPE | DESIGN | SPECIAL FEATURES | QUANTITY PER UNIT | QUANTITY RECOMMENDED FOR STOCK |
|-------------|------------------------|-----------------|----------|------------|--------|------------------|-------------------|--------------------------------|
| 1316        | SCREW                  |                 |          |            |        |                  | 4                 | 10                             |
| SEE PAGE 1  | VALVE PLATE S. A.      |                 | R, L     |            |        |                  | 1                 | 15                             |
| 266399      | ROTATION PLATE         |                 |          |            |        |                  | 1                 | 2                              |
| 227401      | SCREW                  |                 |          |            |        |                  | 6                 | 2                              |
| 251108      | BEARING                |                 |          |            |        |                  | 1                 | 7                              |
| 3913        | PIN                    |                 |          |            |        |                  | 2                 | 10                             |
| 194025      | SNAP RING              | 20, 29          |          |            |        |                  | • 1               | 15                             |
| 244931      | WASHER                 | 20, 29          |          |            |        |                  | • 1               | 15                             |
| SEE PAGE 1  | SPRING                 | 20, 29          |          |            |        |                  | • 1               | 10                             |
| 238780      | WASHER                 | 20, 29          |          |            |        |                  | • 1               | 15                             |
| SEE PAGE 1  | CYLINDER BLOCK         | 20, 29          |          |            |        |                  | • 1               | 15                             |
| 248835      | PIN                    | 20, 29          |          |            |        |                  | • 3               | 10                             |
| 238836      | WASHER                 | 20, 29          |          |            |        |                  | • 1               | 10                             |
| 283993      | SPHERICAL WASHER       | 20, 29          |          |            |        |                  | • 1               | 10                             |
| 248609      | SHOE PLATE             | 20, 29          |          |            |        |                  | • 1               | 15                             |
| SEE PAGE 2  | PISTON KIT (9 PISTONS) | 20, 29          |          |            |        |                  | • 1               | 15                             |
| 239335      | SWASH PLATE            | 20, 29          |          |            |        |                  | • 1               | 15                             |
| SEE PAGE 2  | ROTATING GROUP KIT     | 20, 29          |          |            |        |                  | 1                 | 15                             |
| 186580      | PLUG                   |                 |          |            |        |                  | 1                 | 2                              |
| 252114      | HOUSING                |                 |          |            |        |                  | 1                 | 2                              |
| 164432      | INSTRUCTION PLATE      |                 |          |            |        |                  | 1                 | 2                              |
| 263129      | NAME PLATE             |                 |          |            |        |                  | 1                 | 2                              |
| 194878      | WASHER                 |                 |          |            |        |                  | 1                 | 5                              |
| SEE PAGE 2  | SHAFT                  |                 |          | G          |        |                  | 1                 | 7                              |
| 246353      | KEY                    |                 |          |            |        |                  | 1                 | 7                              |
| 283090      | BEARING                |                 |          |            |        |                  | 1                 | 7                              |
| 117507      | SNAP RING              |                 |          |            |        |                  | 1                 | 10                             |
| 117506      | SNAP RING              |                 |          |            |        |                  | 1                 | 10                             |
| 919242      | SEAL KIT               |                 |          |            |        |                  | 1                 | 25                             |
| 212398      | SCREW                  |                 |          |            |        |                  | 2                 | 10                             |
| 199491      | BRACKET                |                 |          |            |        |                  | 1                 | 2                              |

CONTACT VICKERS APPLICATION ENGINEER FOR SPECIAL FEATURE INFORMATION

• MAY BE PURCHASED IN ROTATING GROUP KIT

*To insure sustained efficiency and maximum trouble-free life of this precision equipment, initial and continuous filtration of the fluid medium to 25 microns or less is essential. For information pertaining to Vickers economical 10 micron filters, see installation drawing M 229847.*