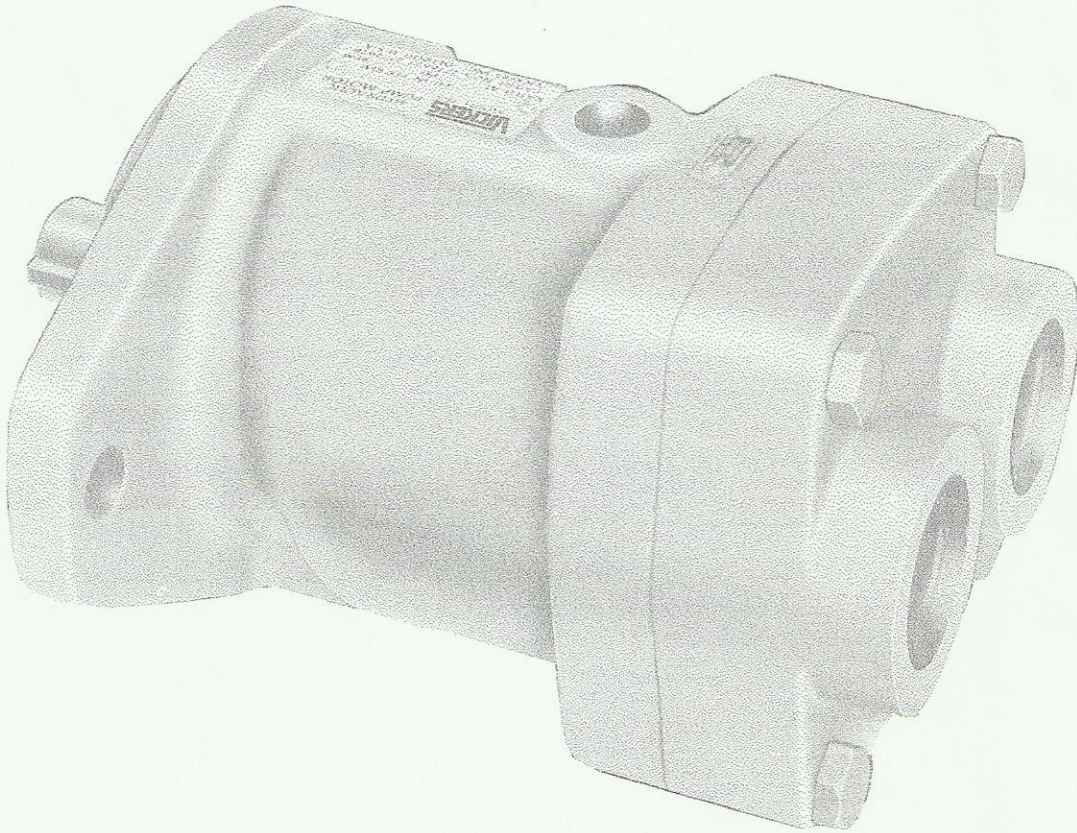


VICKERS

Service Parts Information

Fixed In-Line
Piston Motors

M-MFB20 and M-MFB29-10 Design



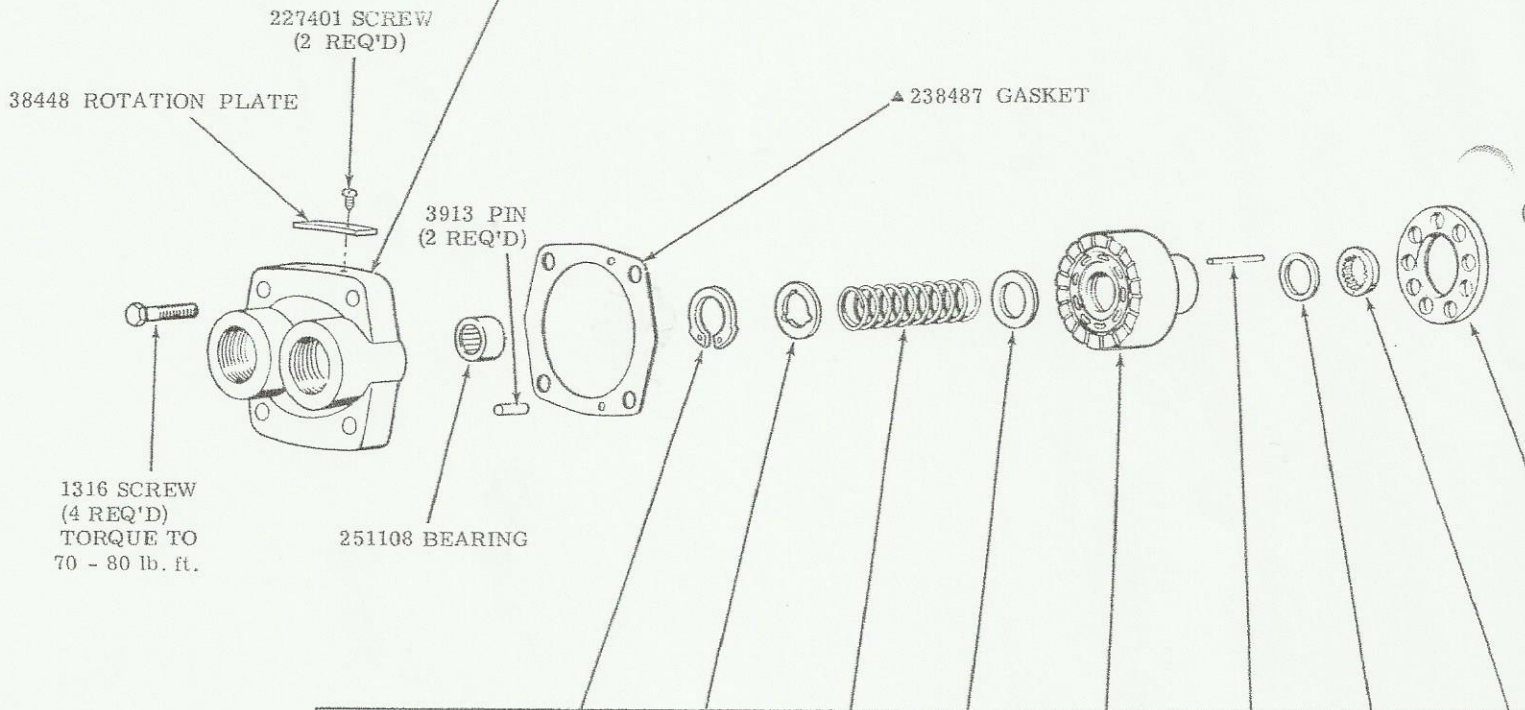
Vickers, Incorporated

1401 Crooks Road
Troy, Michigan 48084

Revised 9-1-85

M-2763-S

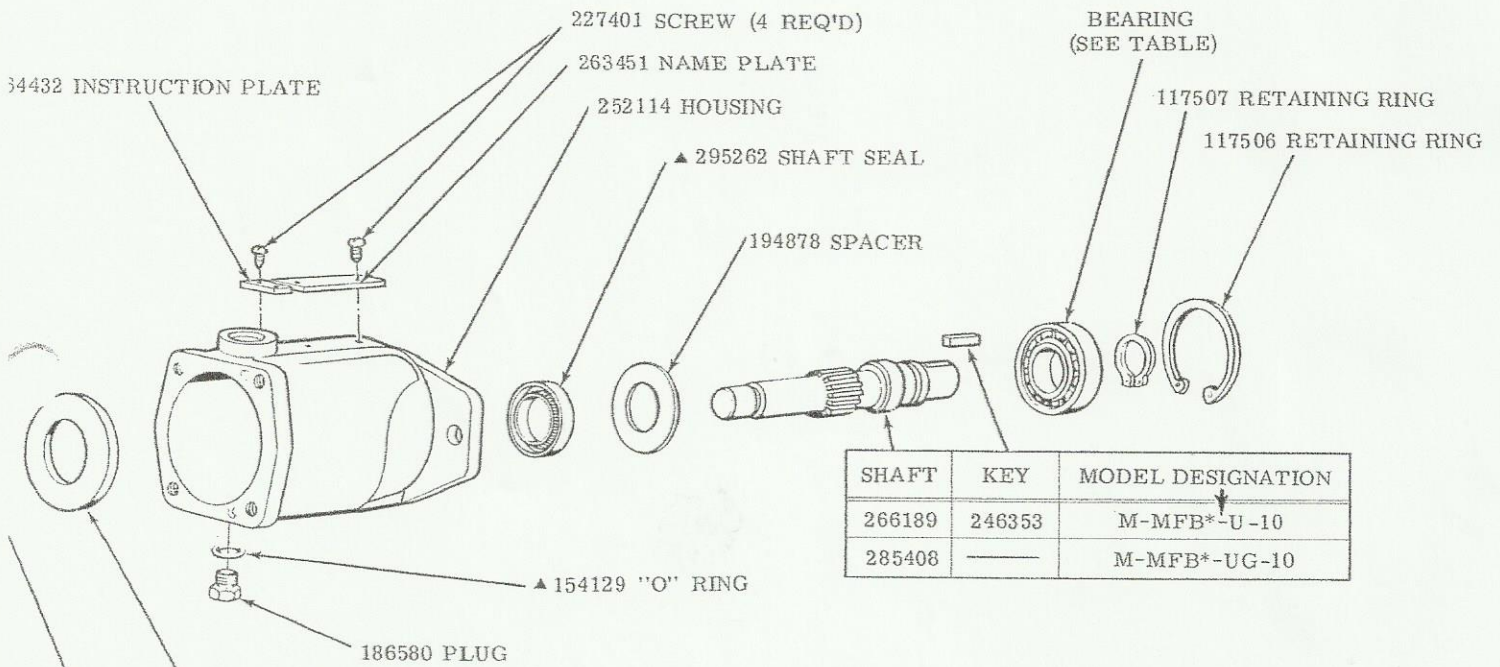
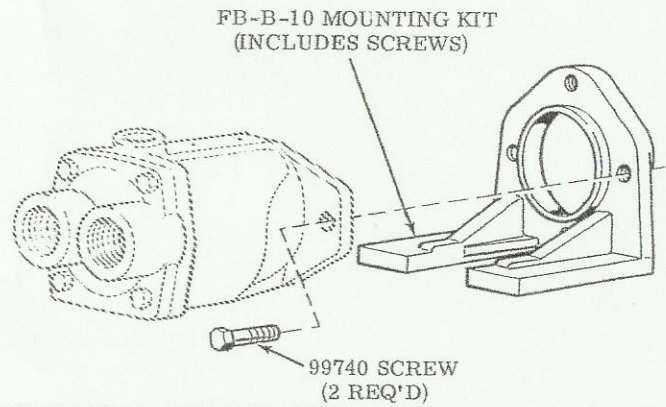
MODEL DESIGNATION	VALVE PLATE SUB-ASSY (INCLUDES ROTATION PLATE & 251108 BEARING)	SHAFT BEARING
M-MFB20-U-10	938383	283090
M-MFB29-U-10	941470	238482



MODEL DESIGNATION	RETAINING RING	WASHER	SPRING	THRUST WASHER	CYLINDER BLOCK	PIN (3 REQ'D)	WASHER	SPHERICAL WASHER
	THESE PARTS SERVICED IN ROTATING GROUP							
M-MFB20-U-10	194025	244931	246387	238780	284197	248835		938392
M-MFB29-U-10					287454			

INCLUDE COMPLETE MODEL NUMBER ON ALL PARTS ORDERS

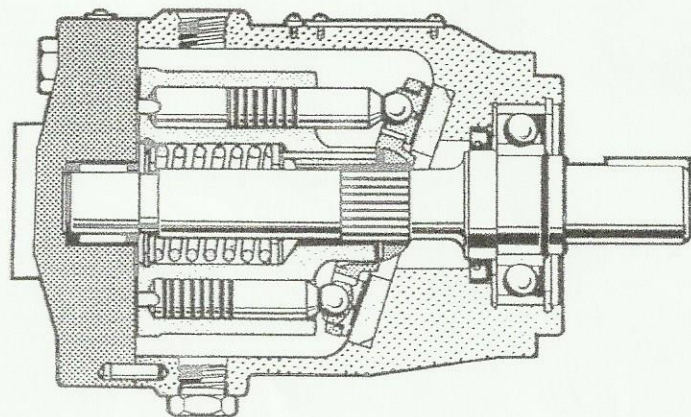
FOOT MOUNTING BRACKET



SHAFT	KEY	MODEL DESIGNATION
266189	246353	M-MFB*-U-10
285408	—	M-MFB*-UG-10

SHOE PLATE	PISTON KIT (9 PISTONS)	SWASH PLATE	ROTATING GROUP KIT
148609	941884	239335	938281
	923326		922999

▲ SERVICED IN 919242 SEAL KIT

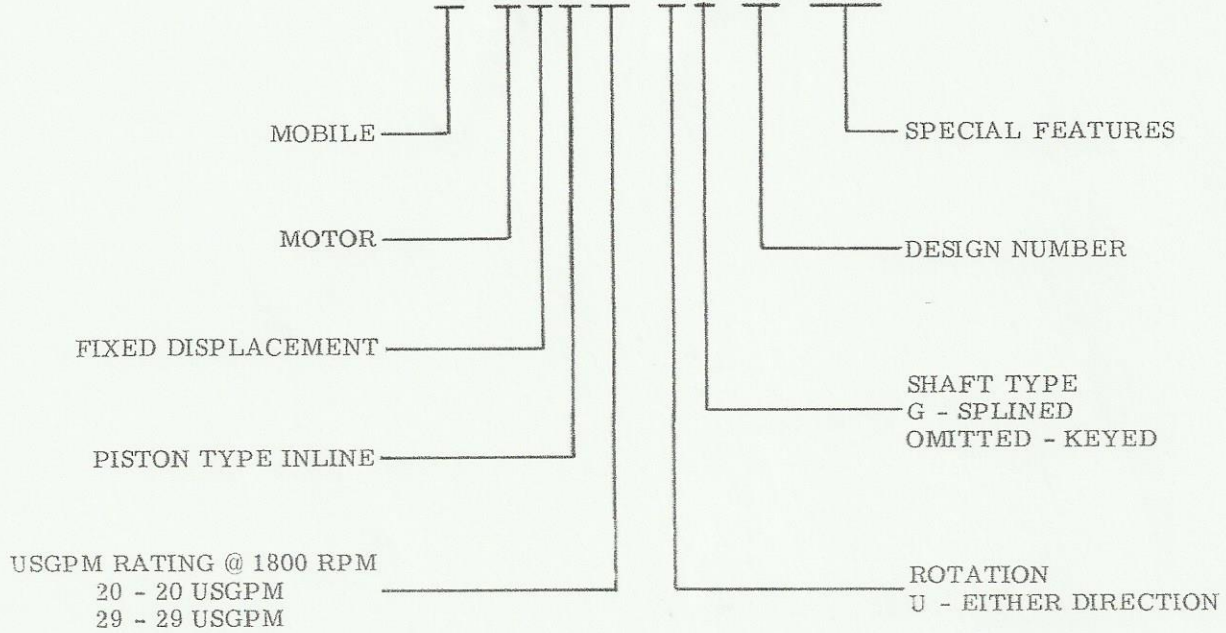


ASSEMBLY VIEW

SEE SERVICE MANUAL M-2760-S FOR MAINTENANCE INFORMATION

MODEL CODE BREAKDOWN

M - MFB - U* - 10 - *****



For satisfactory service life of these components, use full flow filtration to provide fluid which meets ISO cleanliness code 16/13 or cleaner. Selections from Vickers OFP, OFR, and OFRS series are recommended.