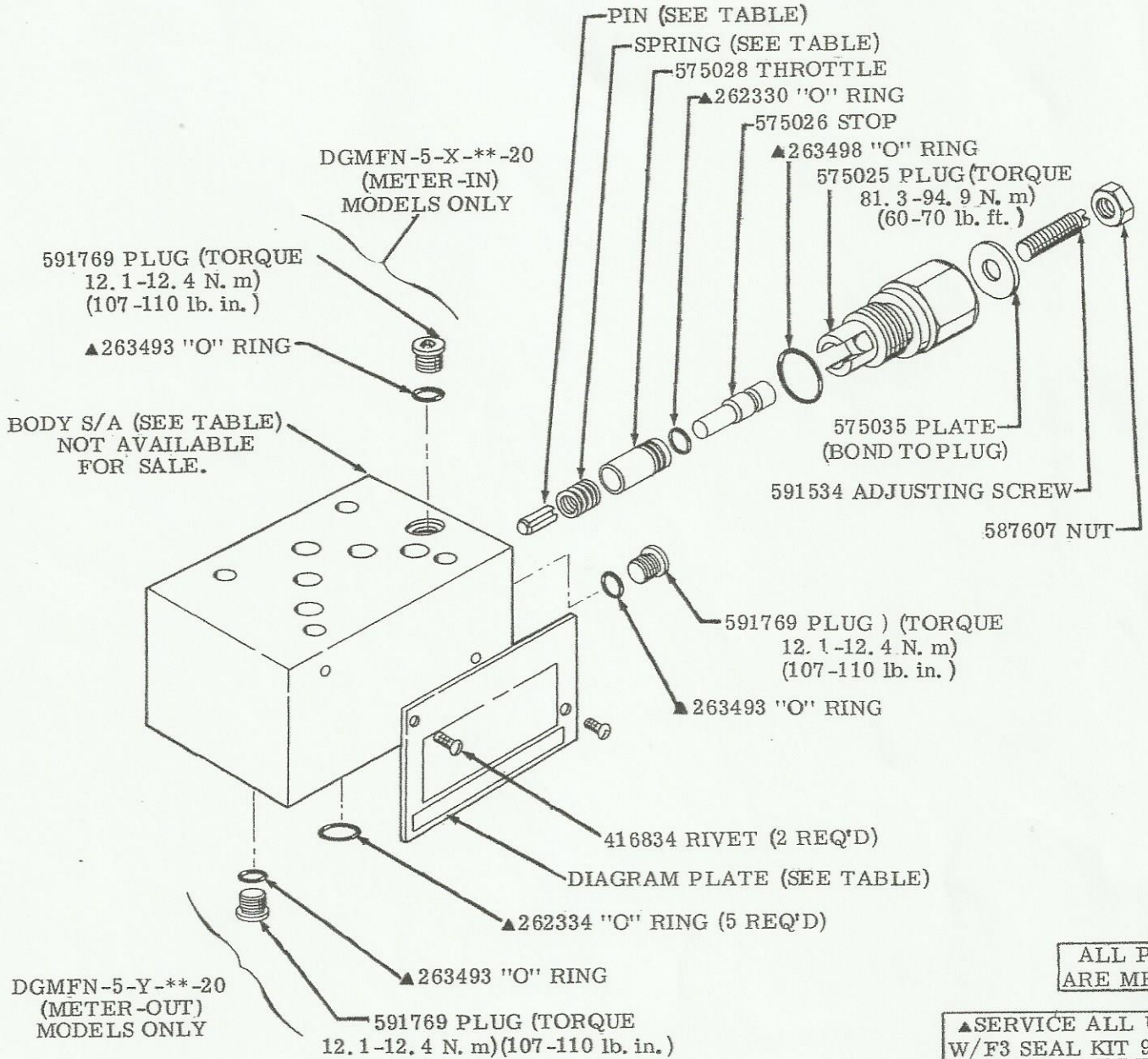


FLOW CONTROL MODULE

Service Parts Information

DGMFN-5-X-*W-20

DGMFN-5-Y-*W-20



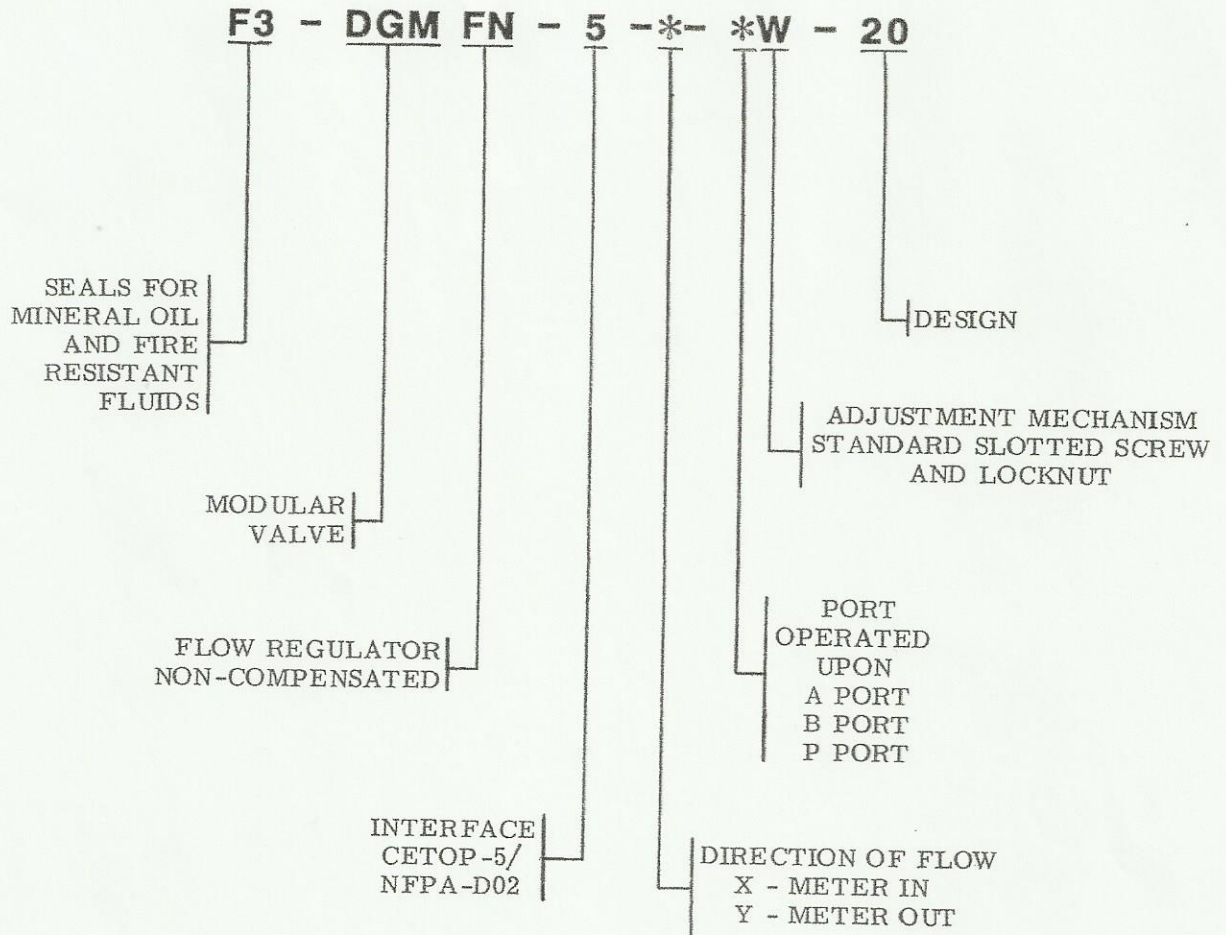
ALL PARTS ARE METRIC

▲SERVICE ALL UNITS W/F3 SEAL KIT 920246

NOTE
DGMFN-5-***-BW**-20 MODEL SHOWN. **-AW-** AND **-PW-** MODELS HAVE THE PARTS LOCATED ON OPPOSITE END OF THE BODY.

MODEL	BODYS/A	SPRING	DIAGRAM PLATE	PIN
DGMFN-5-X-AW-20	587979	575031	630316	248868
DGMFN-5-X-BW-20	587983		630313	
DGMFN-5-X-PW-20	587985	575032	575034	248874
DGMFN-5-Y-AW-20	587977	575031	630315	248868
DGMFN-5-Y-BW-20	587981		630314	

MODEL CODE BREAKDOWN



For satisfactory service life of these components in industrial applications, use full flow filtration to provide fluid which meets ISO cleanliness code 18/15 or cleaner. Selections from Vickers.OFP, OFR, and OFRS series are recommended.