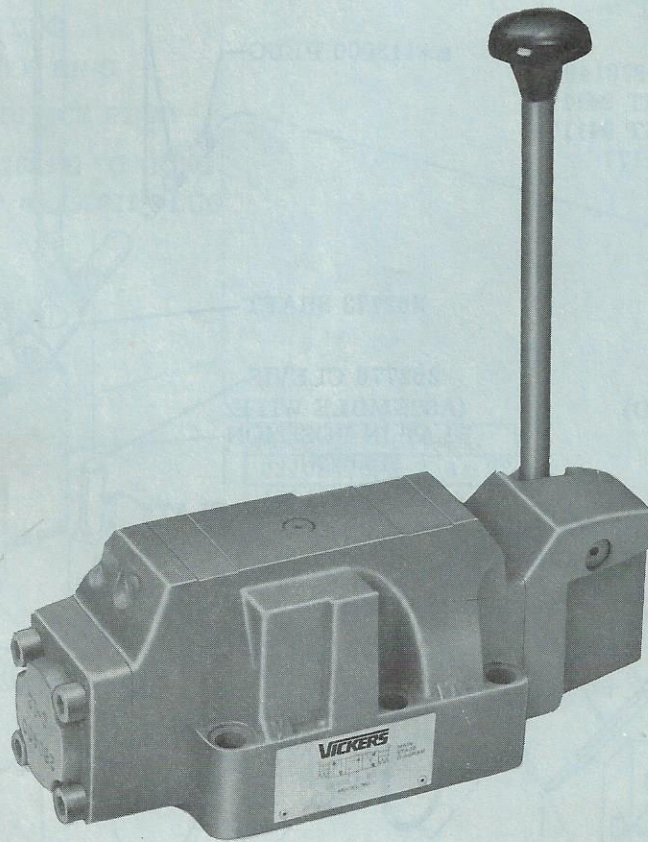


VICKERS®
A TRINNOVA COMPANY

Service Parts Information

Manual Lever
Operated
Directional
Valve

DG17S-8-*A-10
DG17S-8-*C-10
DG17S-8-*N-10



Vickers, Incorporated

1401 Crooks Road
Troy, Michigan 48084

Revised 9-1-85

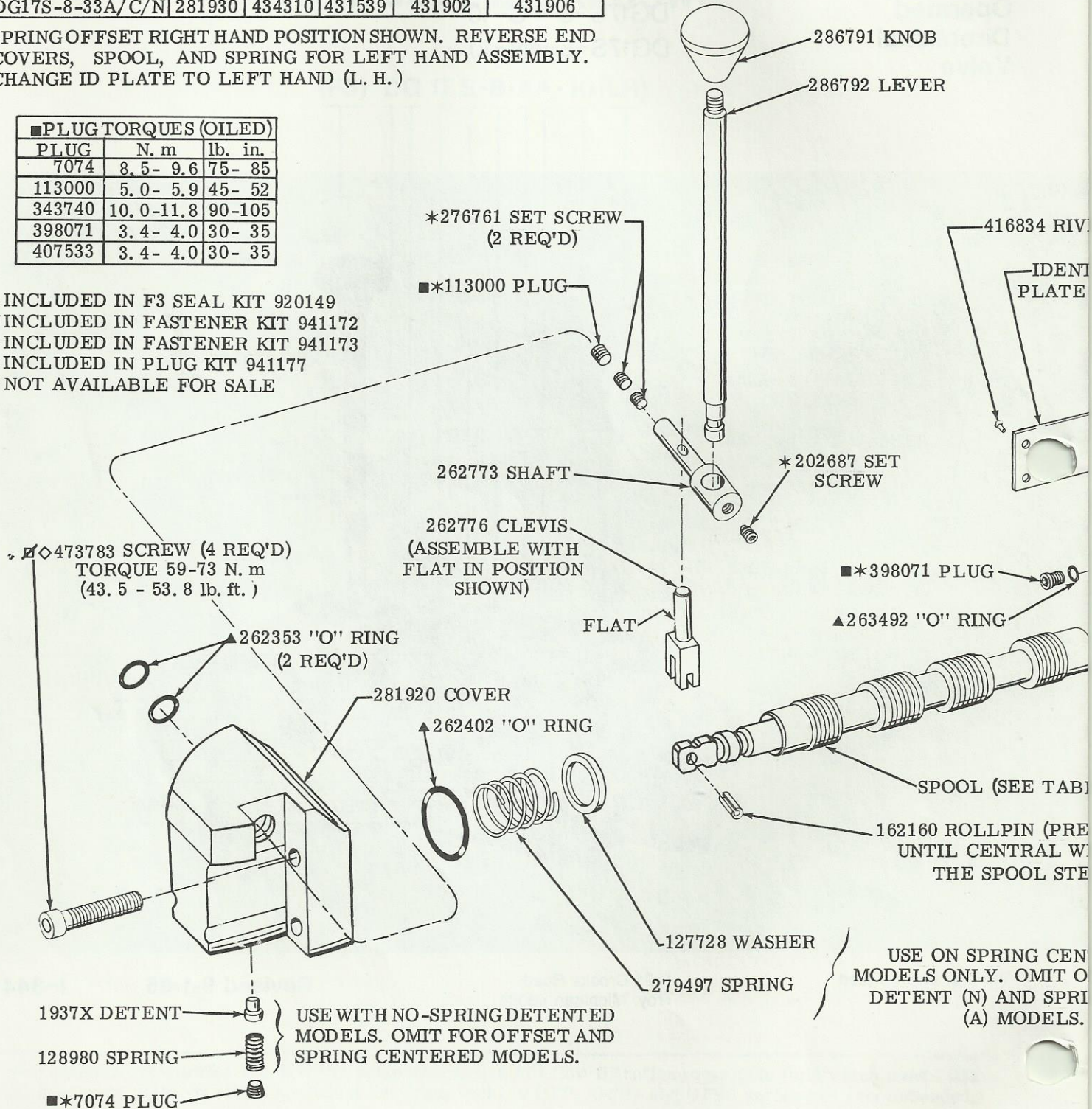
I-3441-S

MODEL	SPOOL	ID PLATE WITH CIRCUIT DIAGRAM			
		OFFSET (A)		SPRING	NO-SPRING
		L. H.	R. H.	CENT. (C)	DETENT (N)
DG17S-8-0A/C/N	281922	434310	431539	431900	431903
DG17S-8-2A/C/N	281924			431540	431541
DG17S-8-3C/N	320915			431901	431904
DG17S-8-4C/N	281926			431549	431905
DG17S-8-6A/C/N	281927	434310	431539	431902	431906
DG17S-8-8C/N	281929			431459	431905
DG17S-8-33A/C/N	281930	434310	431539	431902	431906

SPRING OFFSET RIGHT HAND POSITION SHOWN. REVERSE END COVERS, SPOOL, AND SPRING FOR LEFT HAND ASSEMBLY. CHANGE ID PLATE TO LEFT HAND (L. H.)

■ PLUG TORQUES (OILED)		
PLUG	N. m	lb. in.
7074	8.5- 9.6	75- 85
113000	5.0- 5.9	45- 52
343740	10.0-11.8	90-105
398071	3.4- 4.0	30- 35
407533	3.4- 4.0	30- 35

- ▲ INCLUDED IN F3 SEAL KIT 920149
- ◊ INCLUDED IN FASTENER KIT 941172
- ◇ INCLUDED IN FASTENER KIT 941173
- * INCLUDED IN PLUG KIT 941177
- ◆ NOT AVAILABLE FOR SALE



NOTE
 - PARTS INCLUDED IN SERVICE KITS WILL NOT BE SOLD SEPARATELY
 - ALL THREADED FASTENERS ARE METRIC
 - END COVER SCREWS ARE METRIC GRADE 12. 9

(USED ON SPRING CENTERED (C) MODELS ONLY)

279497 SPRING

127728 WASHER

▲262402 "O" RING

280400 COVER

◇473784 SCREW (4 REQ'D)
 TORQUE 49-59 N. m
 (36-43.5 lb. ft.)

ET (4 REQ'D)

IFICATION
 (SEE TABLE)

■*407533 PLUG

▲263493 "O" RING

*66609 ORIFICE PLUG

▲263492 "O" RING

■*398071 PLUG

PARTS USED ON
 NO-SPRING DETENTED (N)
 & SPRING CENTERED (C)
 MODELS ONLY

◇470843 SCREW (4 REQ'D)
 TORQUE 49-59 N. m
 (36 - 43.5 lb. ft.)

◆BODY	SPOOL
431094	0, 2, 3, 6 & 33
431402	4 & 8

LE)

SS PIN
 WITHIN
 (M)

■*343740 PLUG

▲263494 "O" RING

■*343740 PLUG

▲263494 "O" RING

199312 REST PIN (2 REQ'D)

▲262394 "O" RING (4 REQ'D)
 (A, B, P & T PORTS)

TERED (C)
 N NO-SPRING
 NG OFFSET

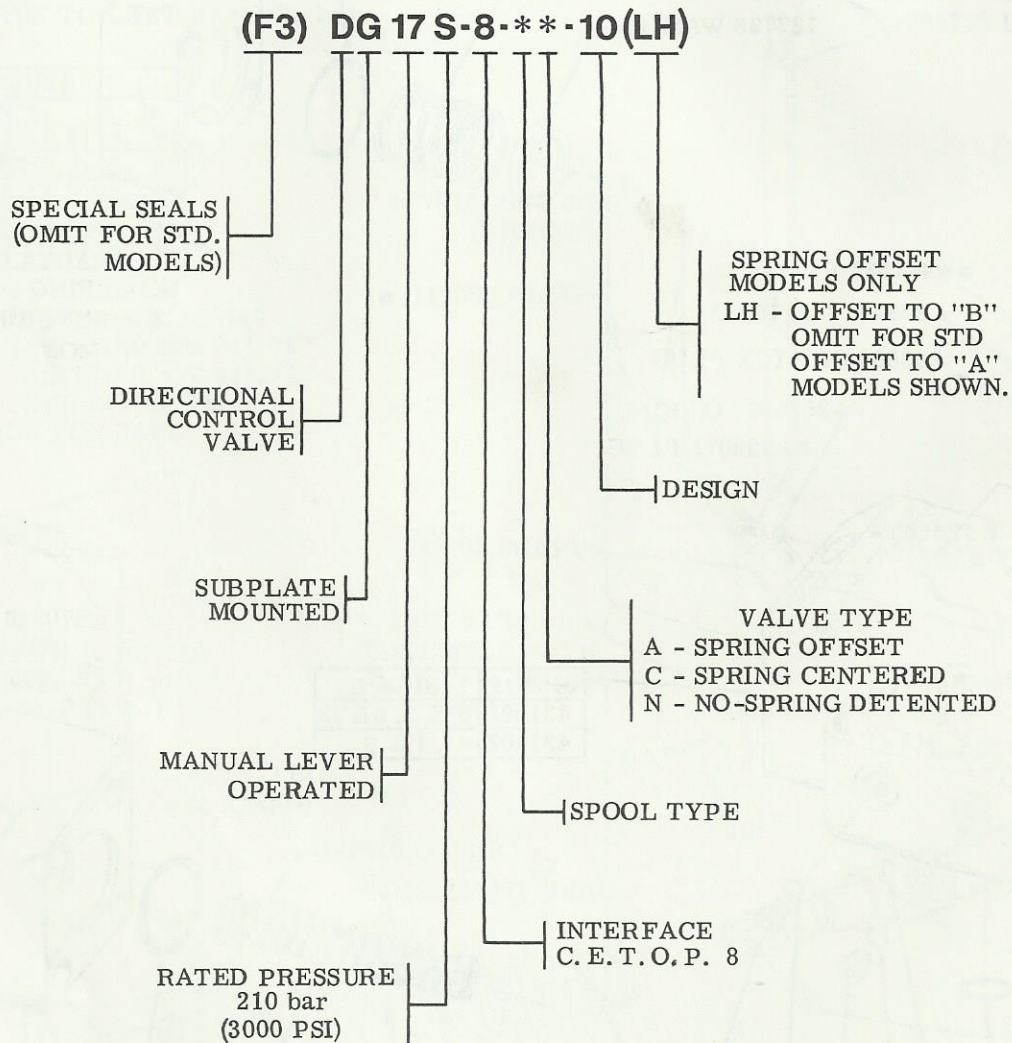
277453 COVER

▲262402 "O" RING

293884 SPRING

PARTS FOR "A"
 OFFSET MODELS ONLY)

MODEL CODE BREAKDOWN



For satisfactory service life of these components, use full flow filtration to provide fluid which meets ISO cleanliness code 18/15 or cleaner. Selections from Vickers OFF, OFR, and OFRS series are recommended.