

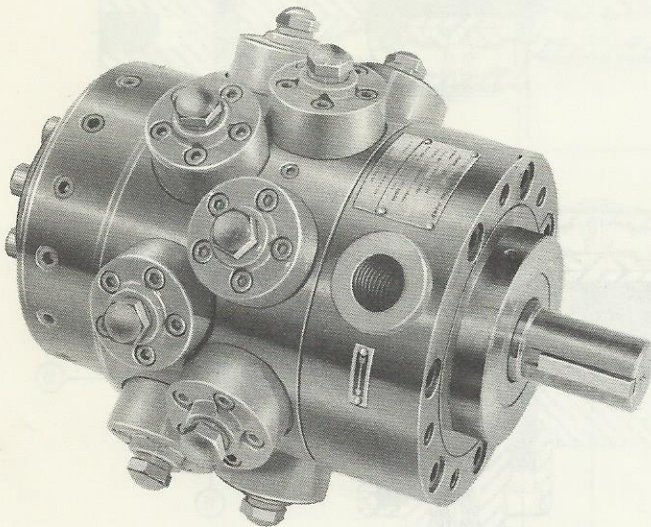


fluid power products

REPAIR PARTS

RADIAL PISTON PUMP

MODEL C5



WHEN ORDERING PARTS, FURNISH:

1. COMPLETE CODE NUMBER
2. PARTS REQUIRED
3. SHIPPING INSTRUCTIONS

WRITE FACTORY FOR NEAREST AUTHORIZED PARTS AND SERVICE CENTER.

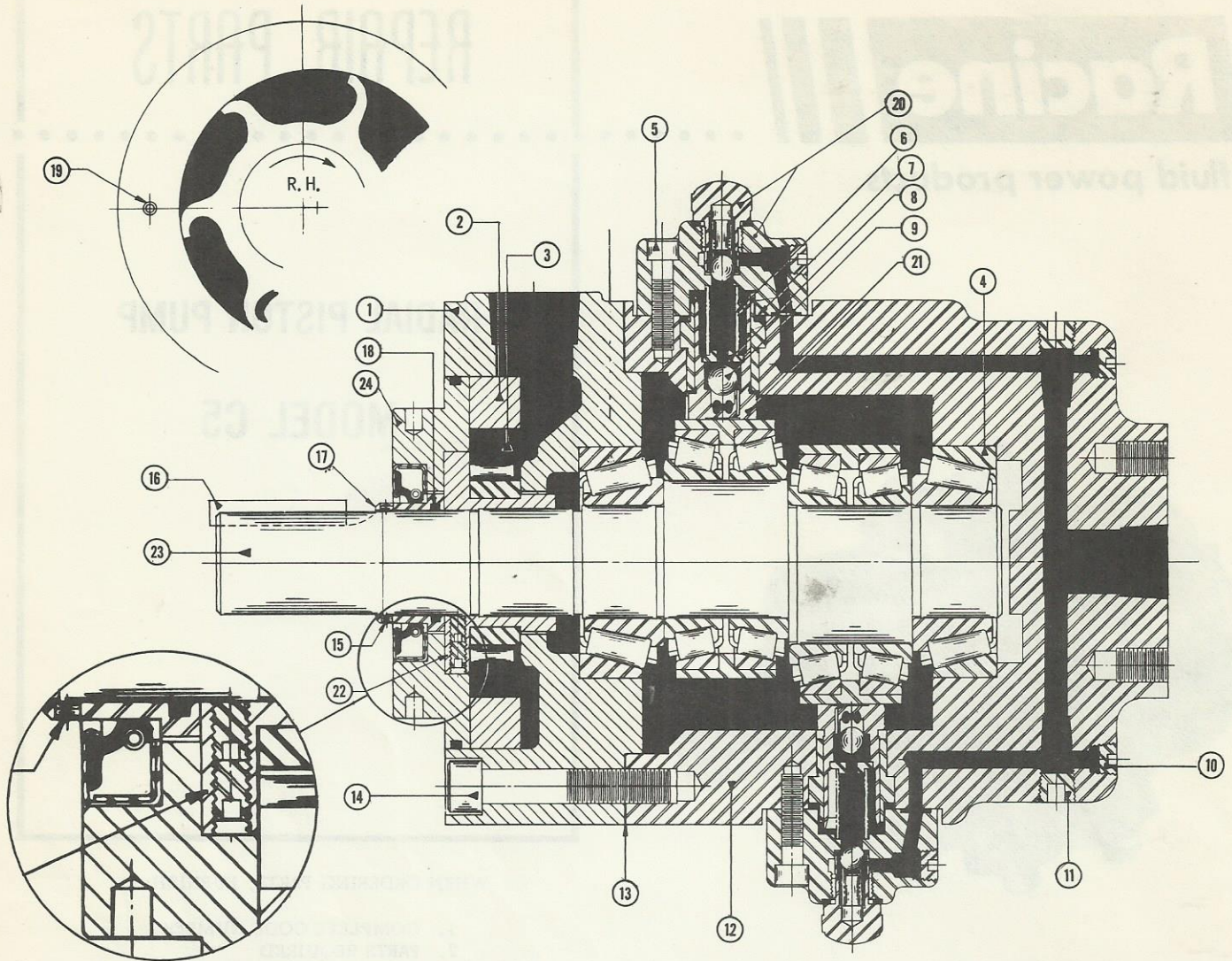
PUMP CODING

C5-RH-F2

F2--SEALS FOR
PHOSPHATE ESTER

RH--RIGHT HAND
ROTATION

LH--LEFT HAND
ROTATION



Ref. No.	Part No.	Description	Qty.
1	221620	Intake Manifold	1
2	221798	Impeller Eccentric	1
3	307216	Impeller	1
3	307217	Impeller (Use with phosphate ester fluids)	1
4	490203	Bearing Outer Race Cone	2
5	405440	Screw 5/16-24 x 1-1/4	14
6	490172	Spring	14
7	490095	Gasket	14
8	350039	Inlet Ball Stop	14
9	401068	Ball	14
10	400922	Pipe Plug 1/8 N.P.T.F.	15
11	400928	Pipe Plug 1/4 N.P.T.F.	14
12	307106	Body	1
13	490109	Gasket .004"	As Req'd
13	490110	Gasket .007"	As Req'd
13	406095	Gasket .025"	As Req'd
14	403518	Screw 1/2-13 x 2-3/4	7
15	405705	Set Screw	2
16	490043	Key	1
17	350220	Shaft Seal Collar	1
18	490250	"O" Ring 3/32 x 1-11/16 OD	1
18	407127	"O" Ring Viton	1
19	401719	Roll Pin	1
--	400599	Rotation Plate	1
--	401296	Pin	6
--	406780	Nameplate	1
--	405589	Decal	1

Ref. No.	Part No.	Description - Assembly Breakdowns	Qty.
20	750038	Retaining Cap Assembly	14
	350180	Retaining Cap	1
	350291	Retaining Cap Sleeve	1
	350046	Outlet Check Spring Stop	1
	401067	Steel Ball	1
	490174	Spring	1
	490071	Copper Gasket .875 OD	1
	490101	Copper Gasket .437 OD	1
	400922	Pipe Plug 1/8 N.P.T.F.	1
21	777375	Piston & Sleeve Assembly	14
	*350184	Piston	1
	*350051	Cylinder Sleeve	1
22	777407	Impeller Drive Assembly	1
	221797	Drive Flange	1
	406077	Drive Pin	6
	400854	Set Screw 1/4-20 x 3/8	4
23	750077	Shaft Assembly	1
	350208	Shaft	1
	490200	Bearing Cone	4
	490201	Bearing Cup	4
	490202	Bearing Cone	2
	490220	Outer Race	2
24	721547	Shaft Seal Plate Assembly	1
	721566	Shaft Seal Plate Assembly Viton	1
	250039	Shaft Seal Plate	1
	402481	"O" Ring 1/8 x 5-3/8 OD	1
	407115	"O" Ring Viton	1
	491423	Shaft Seal	1
	491424	Shaft Seal (Viton)	1
		(Use with phosphate ester fluids)	

* PISTON AND CYLINDER SLEEVE ARE SOLD ONLY AS A MATCHED SET AS ASSEMBLY #777375

Rexnord Hydraulic Components
Division
RACINE, WISCONSIN
53401

Racine
fluid power products