

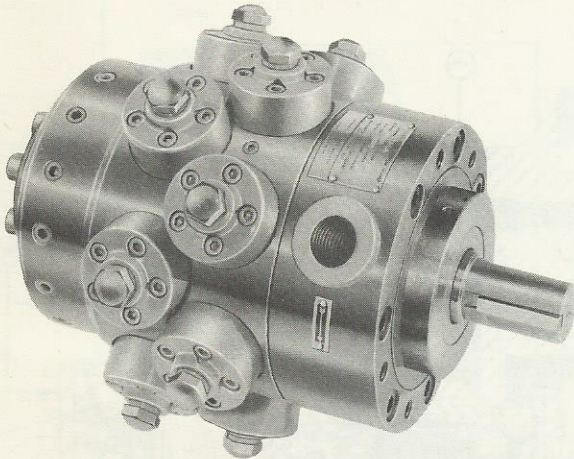
Racine

fluid power products

REPAIR PARTS

RADIAL PISTON PUMP

MODEL C11



WHEN ORDERING PARTS, FURNISH:

1. COMPLETE CODE NUMBER
2. PARTS REQUIRED
3. SHIPPING INSTRUCTIONS

WRITE FACTORY FOR NEAREST AUTHORIZED PARTS AND SERVICE CENTER.

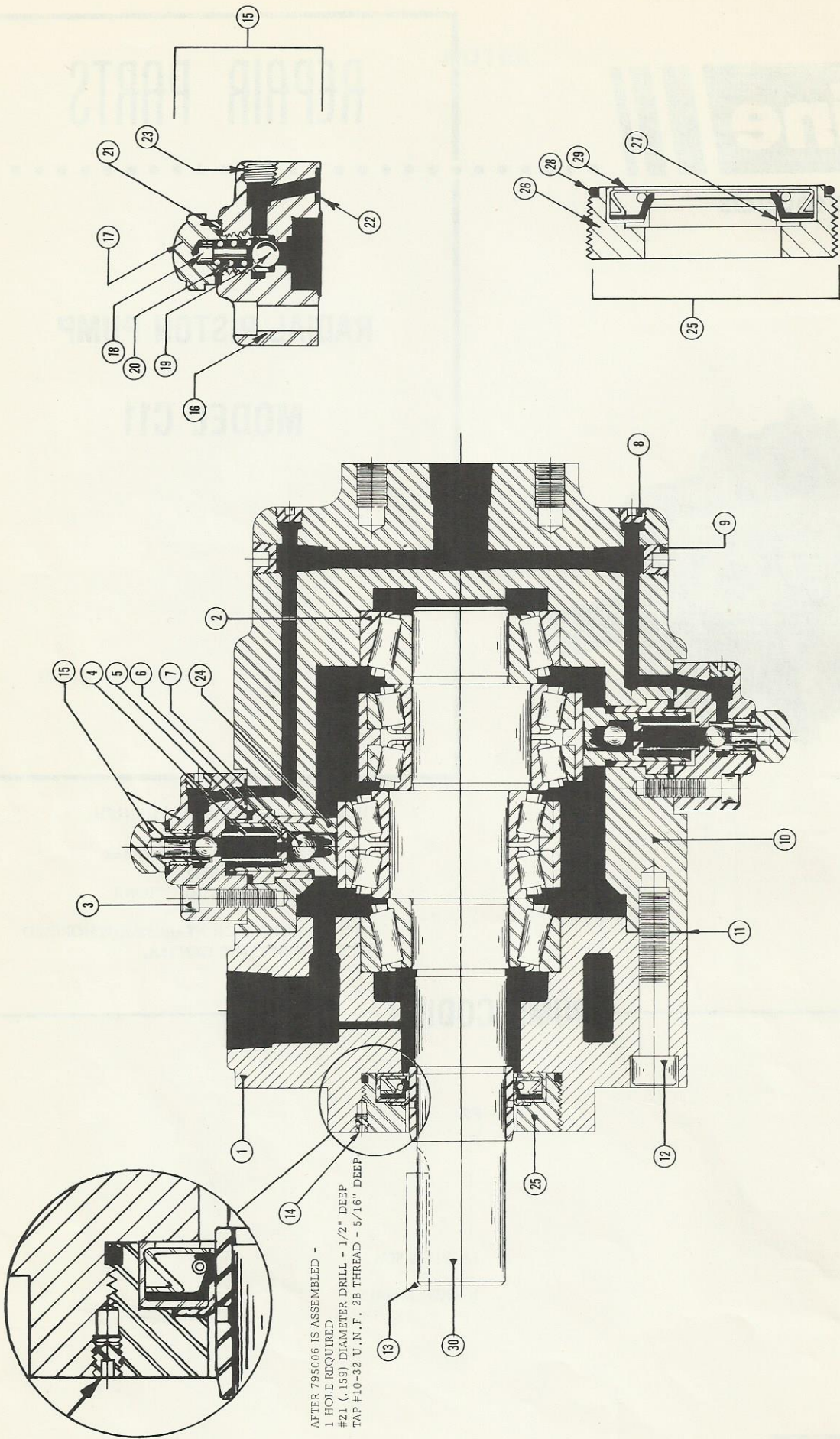
PUMP CODING

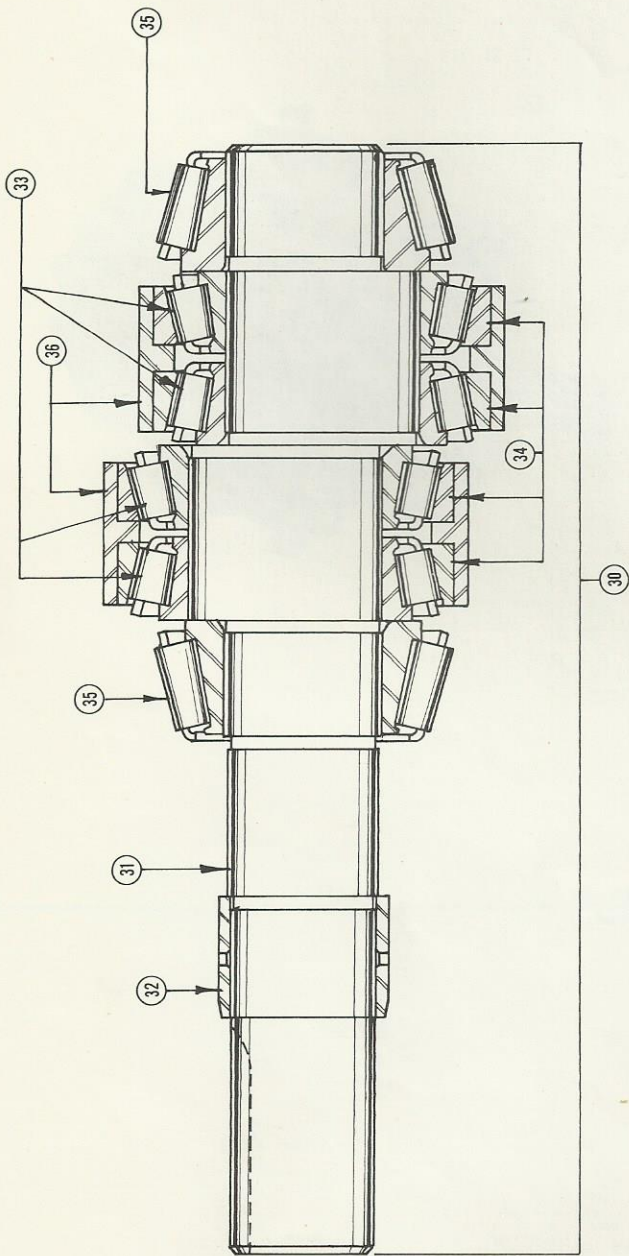
C11-F2



F2--VITON SEALS

H--BUNA N SEALS





Ref. No.	Part No.	Description	Qty.
1	250035	Intake Manifold	1
2	490203	Bearing Outer Race Cone	2
3	405440	Screw 5/16-24 x 1-1/4	70
4	490172	Spring	14
5	490095	Gasket	14
6	350039	Inlet Ball Stop	14
7	401068	Ball	14
8	400922	Pipe Plug 1/8 N. P. T. F.	15
9	400928	Pipe Plug 1/4 N. P. T. F.	14
10	307106	Body	1
11	490109	Gasket .004"	As Req'd
11	490110	Gasket .007"	As Req'd
11	406095	Gasket .025"	As Req'd
12	403518	Screw 1/2-13 x 2-3/4	7
13	490043	Key	1
14	490033	Set Screw	1
-	405992	Rotation Plate	1
-	401296	Pin	6
-	406780	Nameplate	1
-	405589	Decal	1

Ref. No.	Part No.	Description	Qty.
15	750038	Retaining Cap Assembly	14
16	350180	Piston Retaining Cap	1
17	350291	Outlet Check Sleeve	1
18	350046	Outlet Check Spring Stop	1
19	401067	Steel Ball	1
20	490174	Spring	1
21	490071	Copper Gasket .875 OD	1
22	490101	Copper Gasket .437 OD	1
23	490423	Pipe Plug 1/8 N. P. T. F.	1
24	777375	Piston & Sleeve Assembly	14
25	795006	Shaft Seal Assembly	1
26	350053	Gland Cap	1
27	308574	Support Washer	1
28	401294	1/0" Ring 1/8 x 3-3/8 OD	1
28	406702	1/0" Ring (Viton)	1
29	491423	Shaft Seal	1
29	491424	Shaft Seal (Viton) (Use with Phosphate Ester Fluid)	1
30	750071	Shaft Assembly	1
31	350179	Shaft Assembly	1
32	405495	Shaft Seal Collar	1
33	490200	Bearing Cone	4
34	490201	Bearing Cup	4
35	490202	Bearing Cone	2
36	490220	Outer Race	2

NOTES

