

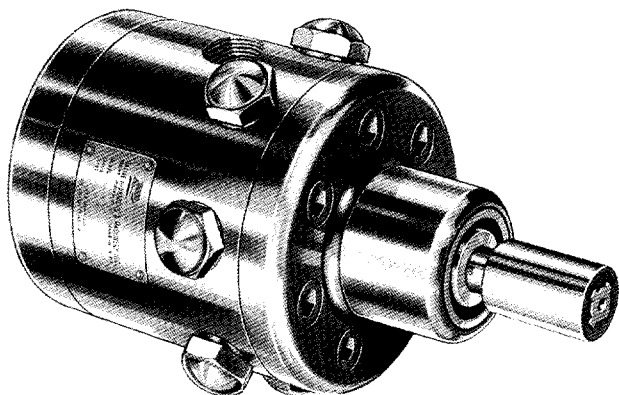
RACINE®

BOSCH Group

REPAIR PARTS

RADIAL PISTON PUMP

MODEL 80

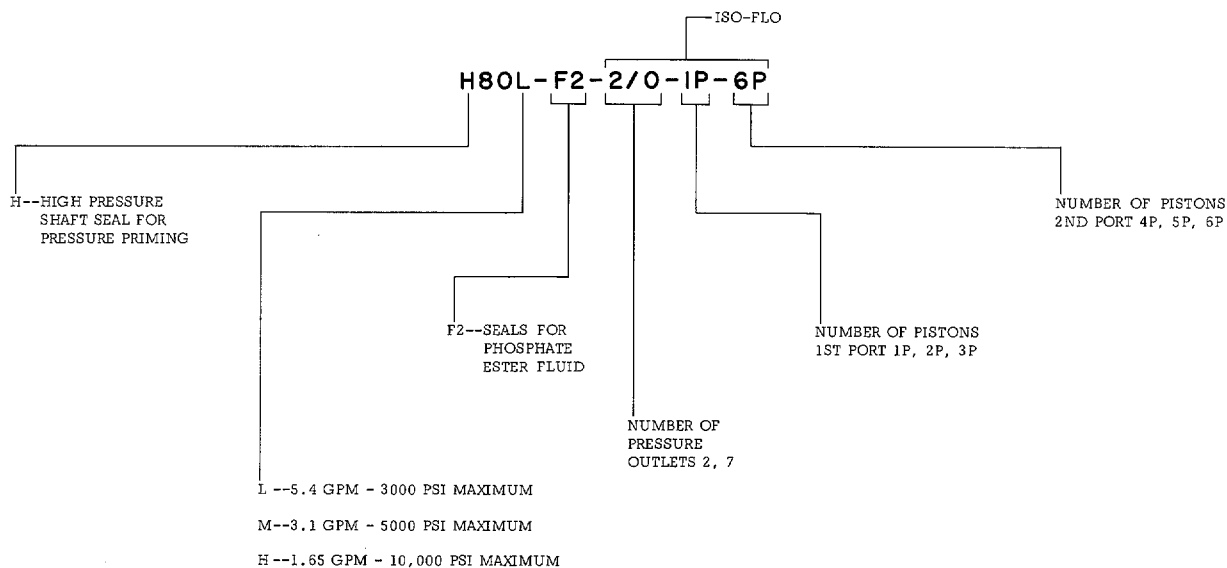


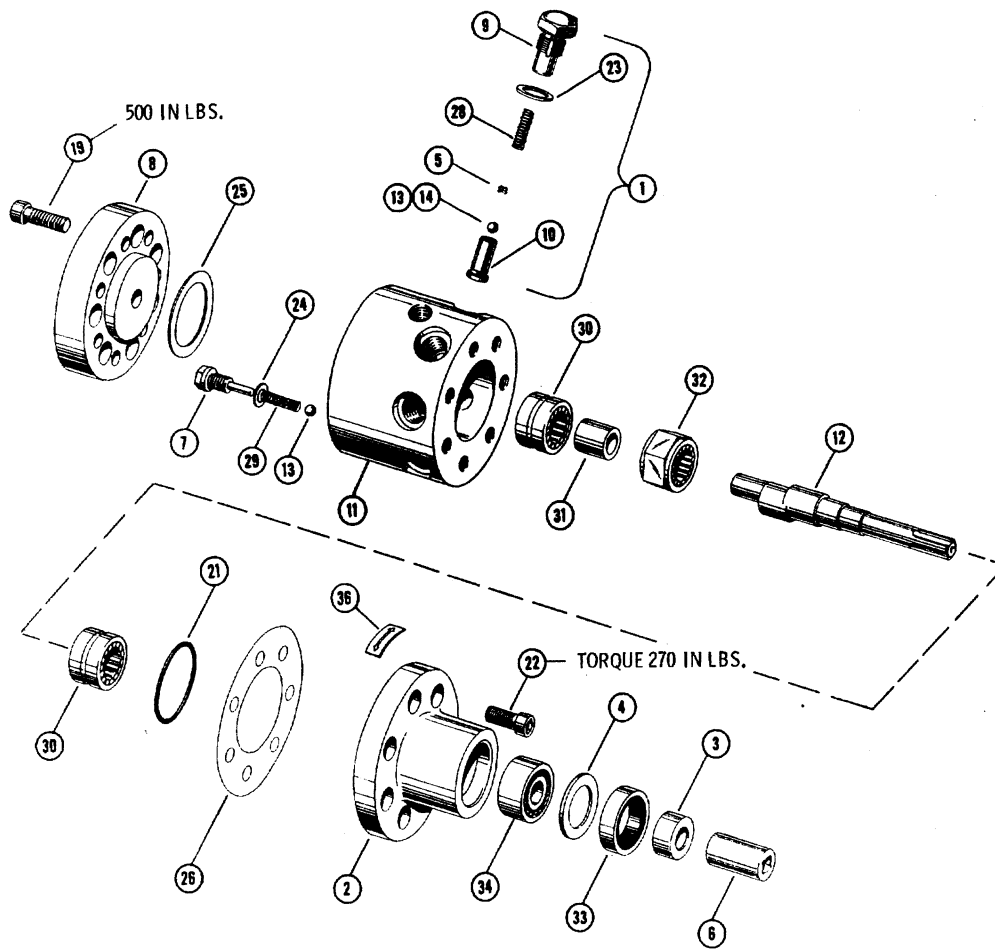
WHEN ORDERING PARTS, FURNISH:

1. COMPLETE CODE NUMBER
2. PARTS REQUIRED
3. SHIPPING INSTRUCTIONS

WRITE FACTORY FOR NEAREST AUTHORIZED PARTS AND SERVICE CENTER.

PUMP CODING





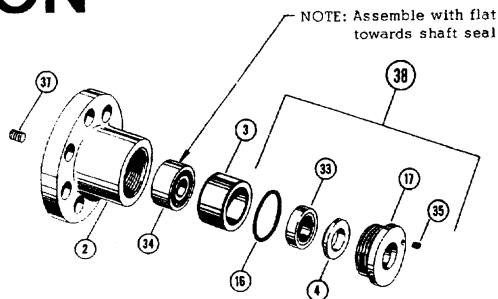
Ref. No.	Part No.	Description	Qty.
1	7502C0	Piston Assembly - 80L & 80M	7
1	7502C1	Piston Assembly - 80H	7
2	250031	Motor End Cover	1
3	350031	Oil Seal Shaft Collar	1
4	307634	Bearing Retainer	1
5	350029	Inlet Check Ball Stop - 80L & 80M	7
5	350030	Inlet Check Ball Stop - 80H	7
6	350028	Splined Coupling	1
7	350304	Outlet Check Ball Stop	7
8	350166	Hydro End Cover	1
9	777194	Sleeve & Piston Assembly - 80L & 80M	7
10		(sold only as an assembly)	
9	777195	Sleeve & Piston Assembly - 80H	7
10		(sold only as an assembly)	
11	750017	Body & Inlet Cage Assembly	1
12	350171	Eccentric Shaft - 80M & 80H	1
12	350170	Eccentric Shaft - 80L	1
13	401067	Steel Ball - 80L & 80M	14
13	401067	Steel Ball - 80H	7

Ref. No.	Part No.	Description	Qty.
14	401066	Steel Ball - 80H	7
19	403345	Screw 1/2-20 x 1-1/4	7
21	406130	"O" Ring (Viton) 3/32 x 2-1/2 OD	1
22	490026	Screw 1/2-20 x 1"	7
23	490076	Copper Gasket	7
24	490077	Copper Gasket	7
25	490078	Paper Gasket	1
26	490996	Paper Gasket	1
28	490172	Spring - Cam Follower - 80L & 80M	7
28	490173	Spring - Cam Follower - 80H	7
29	490174	Spring - Outlet Check	7
30	490175	Roller Bearing	2
31	490177	Inner Race	1
32	490287	Eccentric Roller Bearing	1
33*	407291	Seal (for Phosphate Ester Fluids)	1
34	490176	Ball Bearing	1
36	405992	Rotation Plate	1

*When using Viton Seal #407291, also use Bearing Retainer # 307634

OPTION

HIGH PRESSURE SEAL



Ref. No.	Part No.	Description	Qty.
2	250033	Motor End Cover	1
3	350303	Oil Seal Shaft Collar	1
4	308571	Seal Washer	1
16	406699	"O" Ring (Viton)	1
17	350191	H.P. Gland Cap	1
33	406720	Seal (for Phosphate Ester Fluids)	1
34	490207	Ball Bearing	1
35	490045	Set Screw	1
37	400875	Set Screw	1
38	750032	Buna Assembly Seal	1

RACINE FLUID POWER, INC.

7505 DURAND AVE., RACINE, WISCONSIN 53406 U.S.A.
 TELEPHONE (414) 554-7100, TELEX 71-191902, FAX (414) 554-7117
 A subsidiary of Robert Bosch Corporation

RACINE
 BOSCH Group

9 535 233 232
 ATUS RSB 002/6 (10.90)