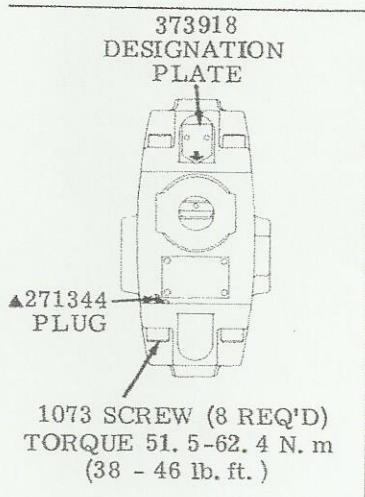
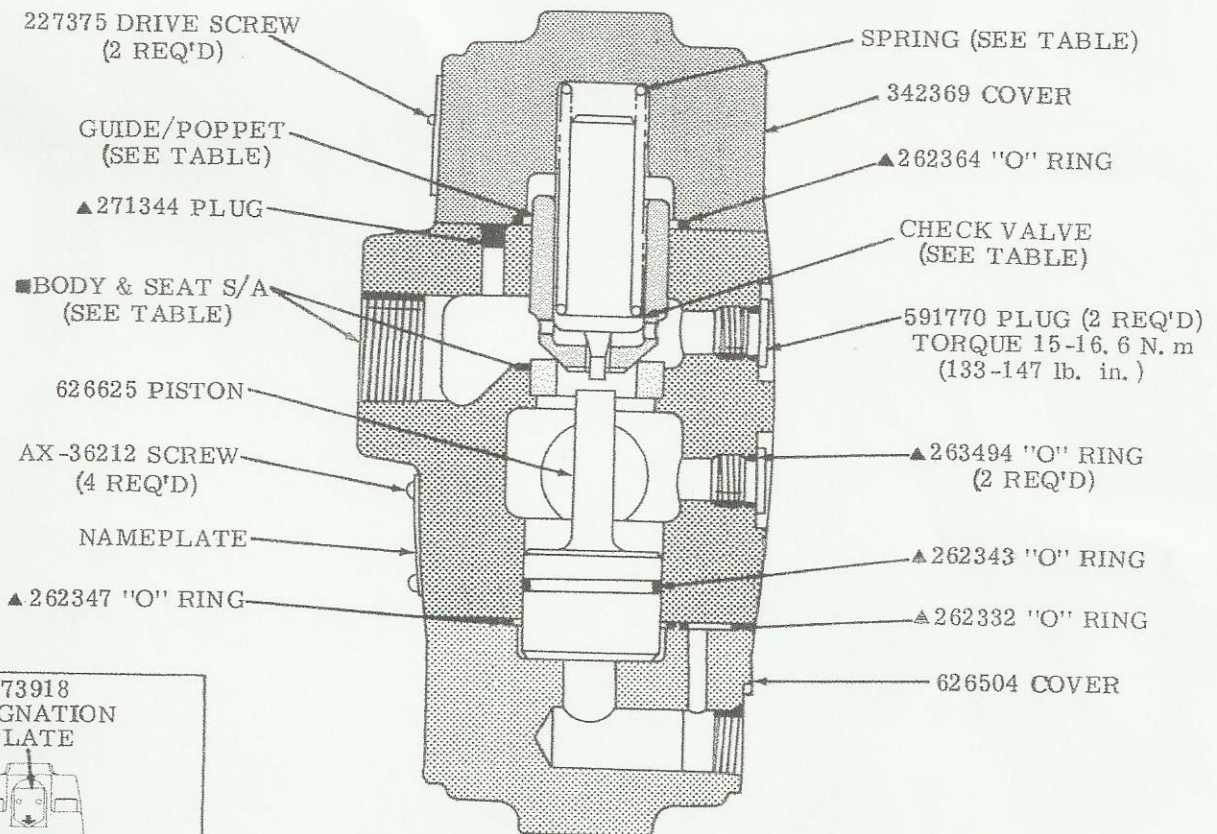


Service Parts Information

PILOT OPERATED CHECK VALVE

4CS-06-(D)\*-21  
4CT-06-(D)\*-21

MODEL	SPRING	P.S.I.	CHECK VALVE	GUIDE/POPPET
4C*-06-A-21	354636	30	359859	359860
4C*-06-DA-21			342366	354644
4C*-06-B-21	386660	50	359859	359860
4C*-06-DB-21			342366	354644
4C*-06-C-21	388352	75	359859	359860
4C*-06-DC-21			342366	354644
4C*-06-F-21	388353	150	359859	388358
4C*-06-DF-21			342366	388359



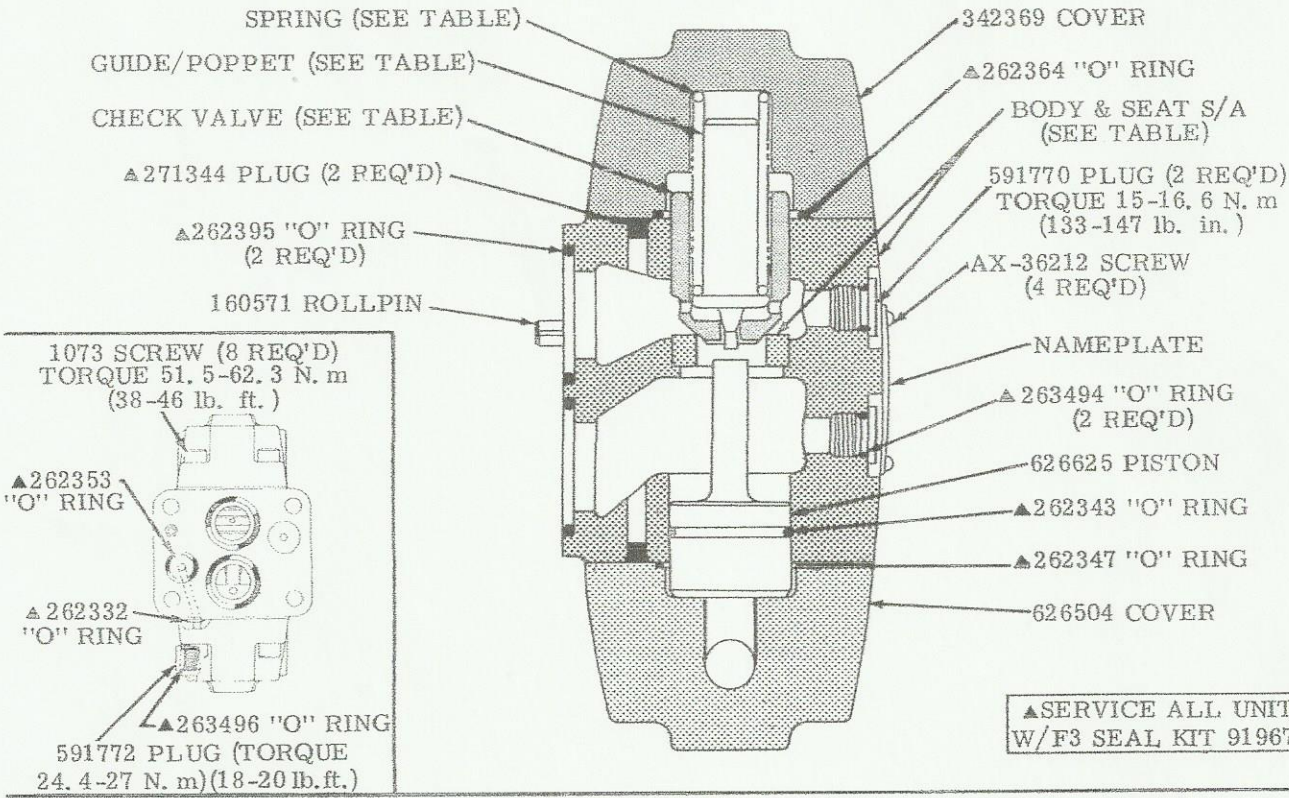
MODEL	■BODY S/A	BODY	SEAT
4CS-06-(D)*-21	626607	626608	342365
4CT-06-(D)*-21	626505	626506	342365

▲SERVICE ALL UNITS  
W/F3 SEAL KIT 919675

4CG-06-(D)\*-21

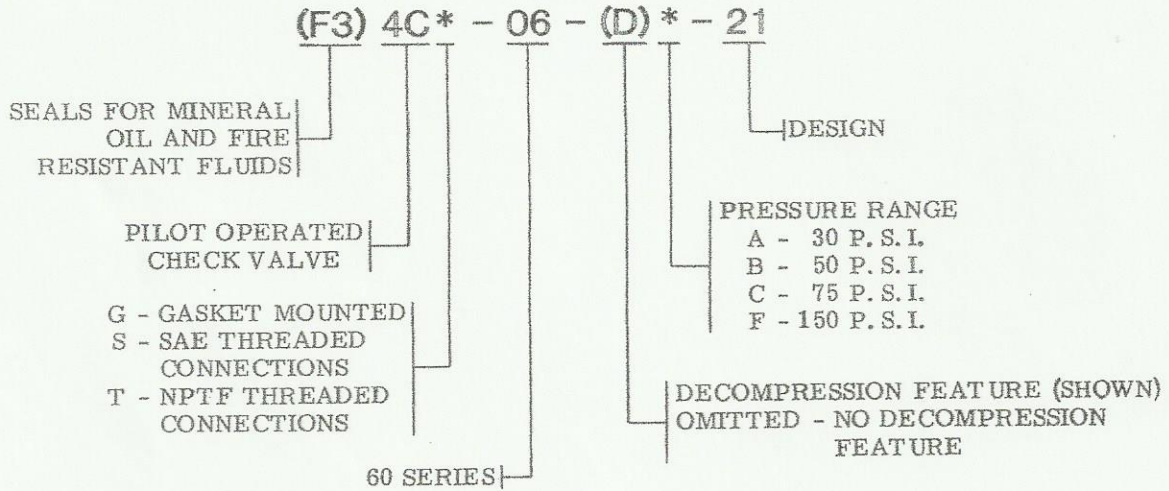
626507 BODY & SEAT SUBASSY INCLUDES: 342365 SEAT 626508 BODY
-----------------------------------------------------------------------

MODEL	SPRING	P.S.I.	GUIDE/ POPPET	CHECK VALVE
4CG-06-A-21	354636	30	359860	359859
4CG-06-DA-21			354644	342366
4CG-06-B-21	386660	50	359860	359859
4CG-06-DB-21			354644	342366
4CG-06-C-21	388352	75	359860	359859
4CG-06-DC-21			354644	342366
4CG-06-F-21	388353	150	388358	359859
4CG-06-DF-21			388359	342366



▲SERVICE ALL UNITS  
W/F3 SEAL KIT 919675

### MODEL CODE BREAKDOWN



To insure sustained efficiency and maximum trouble-free life of this precision equipment, initial and continuous filtration of the fluid medium to 25 microns absolute or less is essential. (For information pertaining to Sperry Vickers economical filters, see bulletin 81-216.)