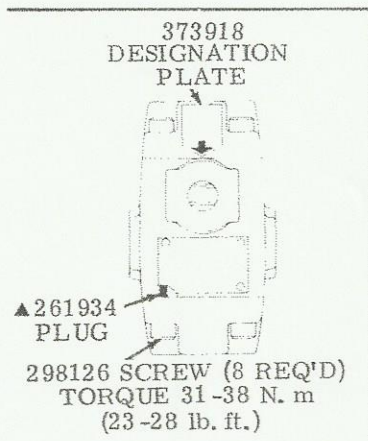
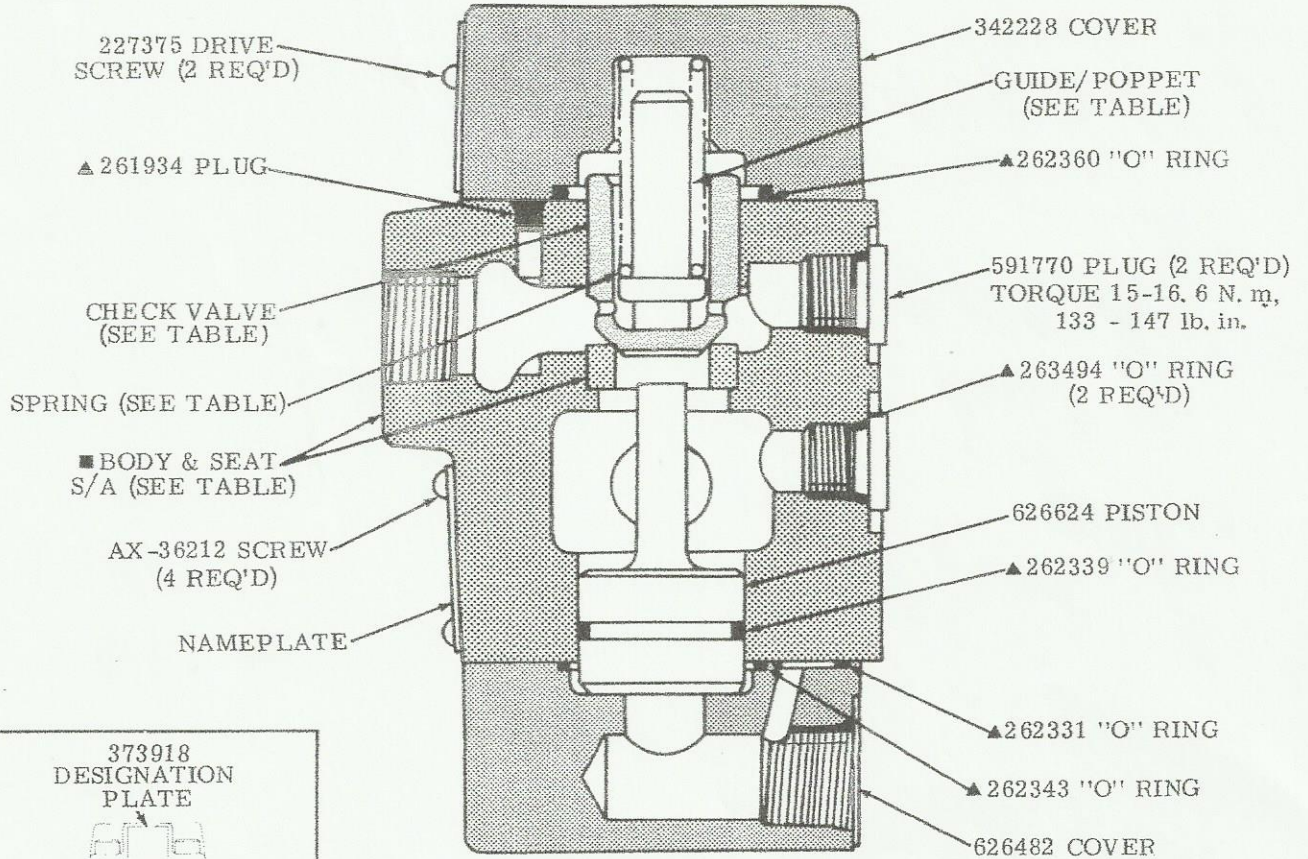


Service Parts Information

PILOT OPERATED CHECK VALVE

4CS-03-(D)*-21
4CT-03-(D)*-21

MODEL	SPRING	PRESSURE P. S. I.	CHECK VALVE	GUIDE/POPPET
4C*-03-A-21	352439	30	359861	359858
4C*-03-DA-21			342225	352440
4C*-03-B-21	398302	50	359861	359858
4C*-03-DB-21			342225	352440
4C*-03-C-21	388350	75	359861	359858
4C*-03-DC-21			342225	352440
4C*-03-F-21	388351	150	359861	388357
4C*-03-DF-21			342225	388356



MODEL	■ BODY S/A	BODY	SEAT
4CS-03-(D)*-21	626550	626551	342224
4CT-03-(D)*-21	626483	626484	

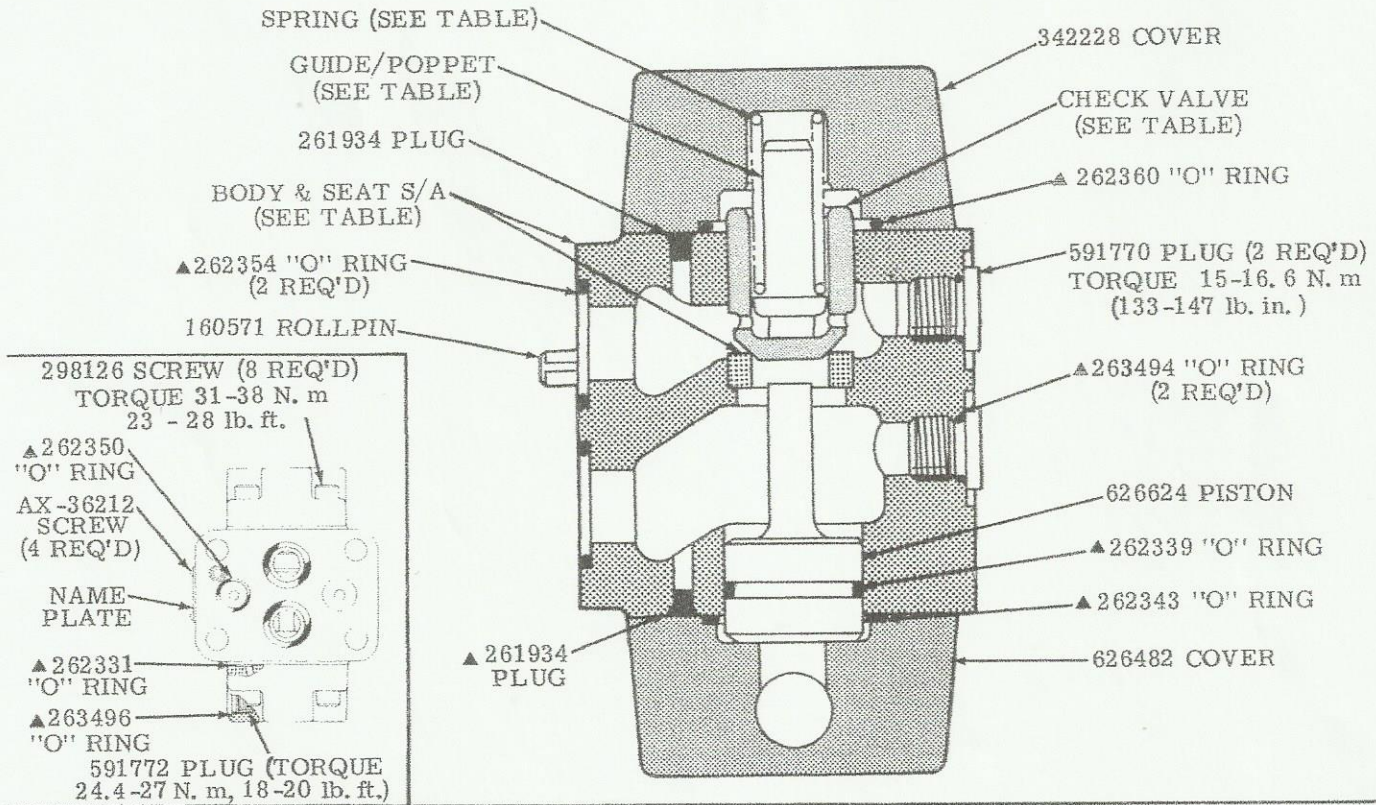
▲ SERVICE ALL UNITS
W/F3 SEAL KIT 919668

4CG-03-(D)*-21

▲SERVICE ALL UNITS
W/F3 SEAL KIT 919671

626485 BODY & SEAT
S/A INCLUDES:
342224 SEAT
626486 BODY

MODEL	SPRING	PRESSURE P. S. I.	CHECK VALVE	GUIDE/ POPPET
4CG-03-A-21	352439	30	359861	359858
4CG-03-DA-21			342225	352440
4CG-03-B-21	398302	50	359861	359858
4CG-03-DB-21			342225	352440
4CG-03-C-21	388350	75	359861	359858
4CG-03-DC-21			342225	352440
4CG-03-F-21	388351	150	359861	388357
4CG-03-DF-21			342225	388356



MODEL CODE BREAKDOWN

(F3) - 4C* - 03 - (D)* - 21

SEALS FOR MINERAL
OIL AND FIRE
RESISTANT FLUIDS

PILOT OPERATED
CHECK VALVE

G - SUBPLATE MOUNTED
S - SAE STRAIGHT THD
CONNECTION
T - NPTF THREADED
CONNECTION

30 SERIES

DESIGN

PRESSURE RANGE
A - 30 P. S. I.
B - 50 P. S. I.
C - 75 P. S. I.
D - 150 P. S. I.

DECOMPRESSION FEATURE
OMITTED - NO DECOMPRESSION
FEATURE (SHOWN)

To insure sustained efficiency and maximum trouble-free life of this precision equipment, initial and continuous filtration of the fluid medium to 25 microns absolute or less is essential. (For information pertaining to Sperry Vickers economical filters, see bulletin 81-216.)