

Service Data

**Vickers®**

# Vane Pumps

---



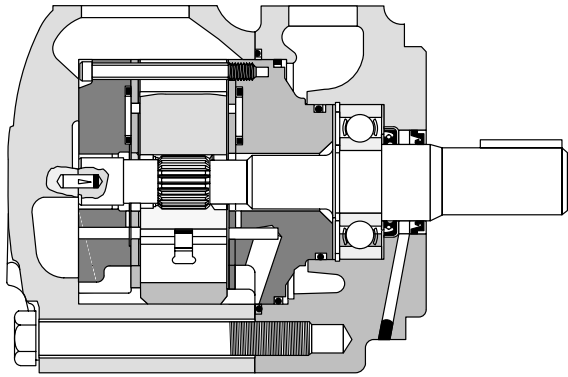
## Vane Type Single Pump

25/26/30/31 VQ Series - 20 Design



Revised 07-01-97

I-3165-S



⊖ TO REVERSE CARTRIDGE KIT ROTATION, REMOVE THE TWO (2) 413834 SCREWS, AND REVERSE THE LOCATION OF THE INLET SUPPORT PLATE 430805 AND OUTLET SUPPORT PLATE 419079. REINSTALL THE TWO (2) SCREWS HAND TIGHT. USE PUMP COVER TO ALIGN ALL SECTIONS OF THE CARTRIDGE. REMOVE COVER CAREFULLY AND TIGHTEN SCREWS TO 50 LB. IN. TORQUE.

□ WIPE O.D. OF SEAL WITH OIL BEFORE PRESSING INTO BODY. APPLY GREASE TO SEAL I.D. BEFORE INSTALLATION OF SHAFT.

▲ INCLUDED IN SINGLE SHAFT SEAL KIT 920021 F3 EQUIVALENT 920023

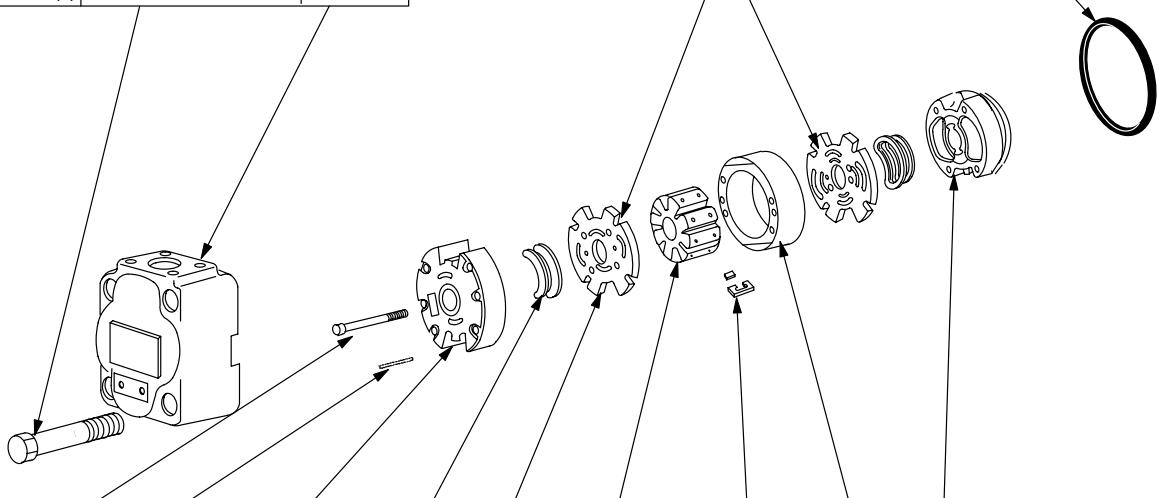
▲△ INCLUDED IN DOUBLE SHAFT SEAL KIT 920022 F3 EQUIVALENT 920024

\*INCLUDED IN CARTRIDGE KIT

MODEL DESIGNATION	SCREW (4 REQ'D) (TORQUE TO 65-75 LB. FT)	COVER
2*VQ*A/C-(*)***-20(*)	96168	224309
2*VQ*B/D-(*)***-20(*)		242215
3*VQ*A/C-(*)***-20(*)	119805	224526
3*VQ*B/D-(*)***-20(*)		242214

**NOTE**  
BRONZE FACES MUST BE INSTALLED TOWARD THE ROTOR.

\*▲ 154095 "O-RING"



CAPACITY (USGPM)	SCREW (2 REQ'D)	PIN (2 REQ'D)	INLET SUPPORT PLATE	▲SEAL PACK (4 REQ'D)	FLEX-SIDE PLATE KIT	ROTOR	VANE KIT (10 VANES & 10 INSERTS)	RING	OUTLET SUPPORT PLATE	CART. KIT	F3 CART. KIT
THESE PARTS ARE INCLUDED IN CARTRIDGE KIT											
2*VQ12A	41384	422207	430805 (INCLUDES BUSHING)	433764 S/A	923956	270597	922710	326984	419079	416439	421570
2*VQ14A								326985		416440	421571
2*VQ17A								326986		416441	421572
2*VQ19A								326987		421232	421573
2*VQ21A								326988		416442	421574
3*VQ24A	41654	262152					922648	234470	417052	421645	
3*VQ28A							224525	416452	421646		



**WARNING: USE THIS FOR PARTS INFORMATION ONLY. SEE OVERHAUL MANUAL I-3144-S FOR MAINTENANCE INFORMATION.**

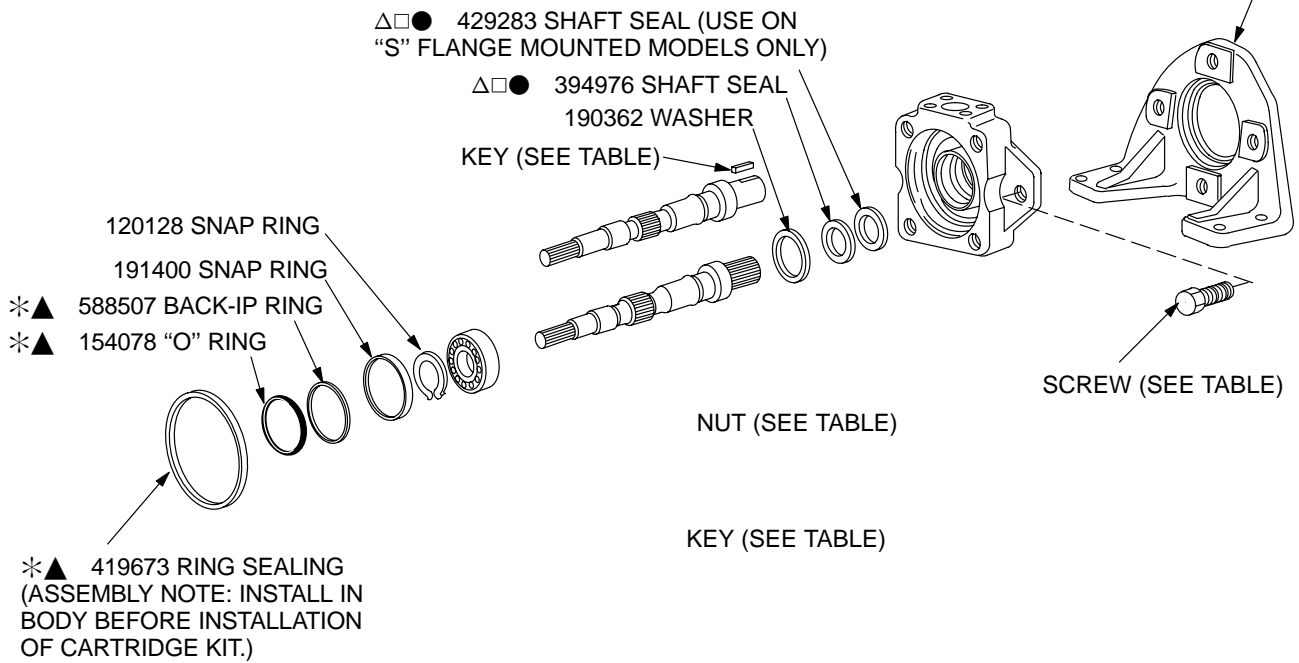
○ ASSEMBLE SEAL WITH SPRING LOADED SEALING MEMBER TOWARD BEARING.

● ASSEMBLE SEAL FLUSH WITH PILOT FACE WITH SPRING LOADED SEALING MEMBER FACING INWARD AS SHOWN.

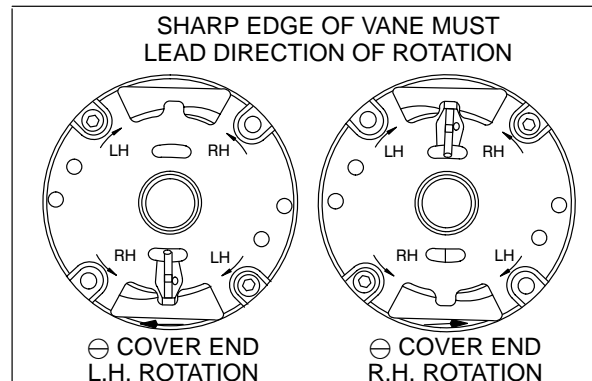
MODEL	TYPE DUTY	BEARING
25VQ	STANDARD	1705
26VQ	HEAVY DUTY	232750
30VQ	STANDARD	1705
31VQ	HEAVY DUTY	232750

BODY S/A	MODEL
942353	2*VQA/D-**-20
942378	2*VQB/C-**-20
942354	3*VQA/D-**-20
942378	3*VQB/C-**-20

MOUNTING ASSEMBLY **VQ***F-**-20(L)		
INCLUDED IN MOUNTING KIT FB-B-10	SCREW (2 REQ'D) 205533	MOUNTING BRACKET 199491

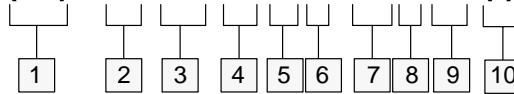


SHAFTS				KEY	NUT	TYPE
SINGLE SEAL MODELS		DOUBLE SEAL MODELS				
SHAFT NO.	PART NO.	SHAFT	PART NO.			
1	238755	—	—	9955	—	STRAIGHT, KEYED
3	242747	—	—	1617	18755	KEYED WITH NUT
6	242767	—	—	1617	—	KEYED SHAFT
11	238929	—	—	—	—	SPLINE
86	478826	—	—	3418	—	STRAIGHT, KEYED, HEAVY DUTY



# Model Code

**(F3) - \*\* VQ \*\* A \* - \*\*\* 20 (\*)**



**1 Viton Seals**

(Omit if not required.)

**2 Series**

25, 26, 30, 31

**3 Vane Type**

**4 SAE Rated Capacity**

(Rating @ 1200 RPM - 100 psi)  
See Capacity (USgpm)  
See Table Inside

**5 Port Connections**

Code	Inlet Connection	Outlet Connection
<b>A</b>	SAE 4-Bolt	SAE 4-Bolt
<b>B</b>	SAE Str. Thd.	SAE Str. Thd.
<b>C</b>	SAE 4-Bolt	SAE Str. Thd.
<b>D</b>	SAE Str. Thd.	SAE 4-Bolt

**7 Shafts**

See Table Inside

**8 Port Positions**

See Chart Below

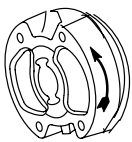
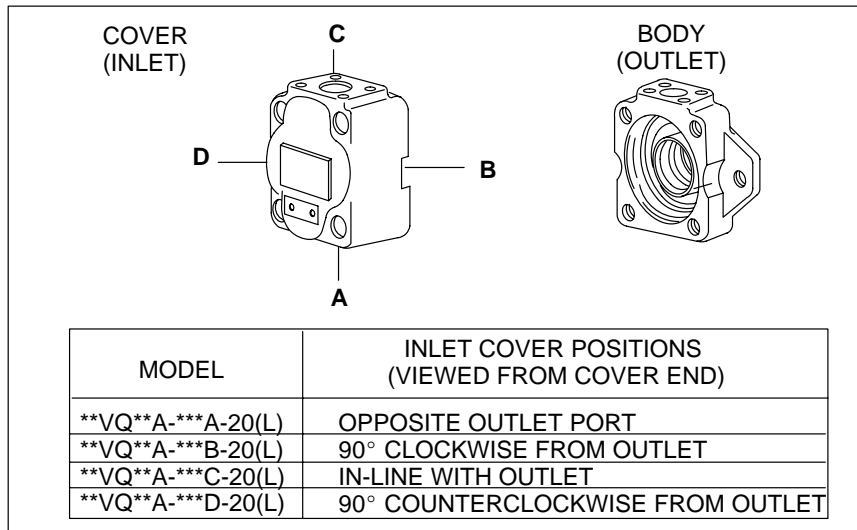
**6 Mounting & Shaft Seals Assembly**

**F** - Foot (Single Shaft Seal Assy.)  
**S** - Flange (Double Shaft Seal Assy.)  
Omitted - Flange (Single Shaft Seal Assy.)

**9 Design**

**10 Rotation**

(Viewed from Shaft End)  
**L** - Left Hand (CCW Rotation)  
Omitted - Right Hand Rotation



## PARTS ORDERING

PARTS ARE THE SAME FOR BOTH RIGHT AND LEFT HAND ROTATION, WHEN ORDERING SPARE CARTRIDGE PARTS, IT IS RECOMMENDED THEY BE OBTAINED IN CARTRIDGE KITS. KITS ARE ASSEMBLED AND TESTED FOR EITHER RIGHT OR LEFT HAND ROTATION. IF LEFT HAND ROTATION IS REQUIRED, IT SHOULD BE SPECIFIED ON PARTS ORDER BY ADDING SUFFIX "L" TO KIT NUMBER. FOR EXAMPLE, 416439-L.

For satisfactory service life of these components, use full flow filtration to provide fluid which meets ISO cleanliness code 18/16/13 or cleaner. Selections from pressure, return, and in-line filter series are recommended.